

10.6 PERMAGLIDE® THRUST WASHERS, LOW-MAINTENANCE

10.6.1 MODEL RANGE P20**, P200

Thrust washers of P22, P23, P202 and P203 available on request.

Thrust washers in special dimensions available on request (see section 10.8).

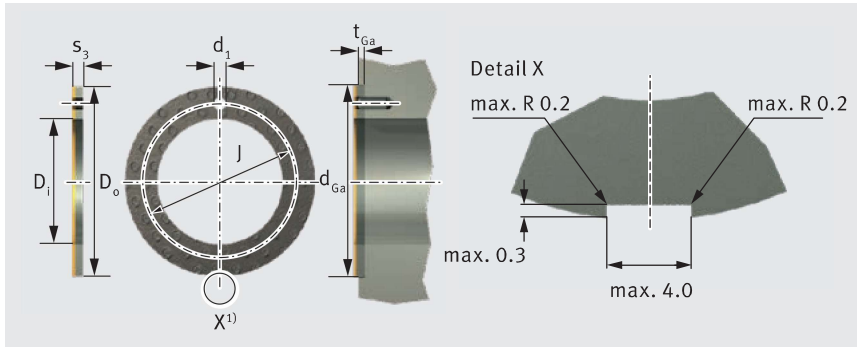


Table of dimensions (dimensions in mm)									
Order designation P20**, P200	Weight g	Dimensions					Connection dimensions		
		D_i +0.25	D_o -0.25	s_3 -0.05	J ± 0.12	d_i +0.4 +0.1	t_{Ga} ± 0.2	d_{Ga} +0.12	
PAW 12 ... P20**/... P200	3.8	12	24	1.5	18	1.5	1	24	
PAW 14 ... P20**/... P200	4.2	14	26	1.5	20	2	1	26	
PAW 18 ... P20**/... P200	6.1	18	32	1.5	25	2	1	32	
PAW 20 ... P20**/... P200	7.8	20	36	1.5	28	3	1	36	
PAW 22 ... P20**/... P200	8.4	22	38	1.5	30	3	1	38	
PAW 26 ... P20**/... P200	11	26	44	1.5	35	3	1	44	
PAW 28 ... P20**/... P200	13.3	28	48	1.5	38	4	1	48	
PAW 32 ... P20**/... P200	16.5	32	54	1.5	43	4	1	54	
PAW 38 ... P20**/... P200	21	38	62	1.5	50	4	1	62	
PAW 42 ... P20**/... P200	22.5	42	66	1.5	54	4	1	66	
PAW 48 ... P20**/... P200	37.5	48	74	2	61	4	1.5	74	
PAW 52 ... P20**/... P200	40	52	78	2	65	4	1.5	78	

¹⁾ Maximum 4 free cuts on outside diameter, location optional

** Discontinued