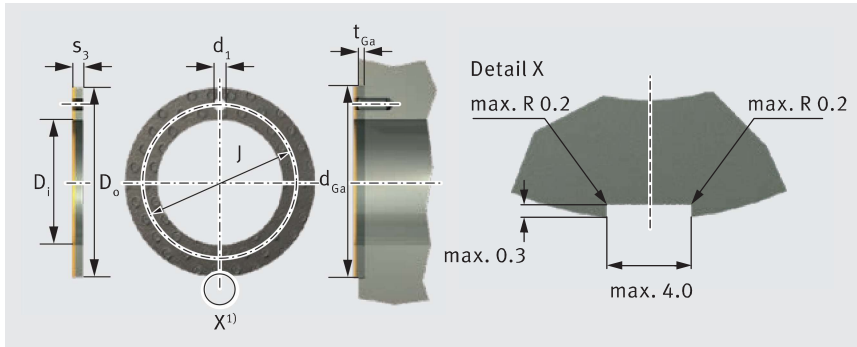


10.3 PERMAGLIDE® THRUST WASHERS, MAINTENANCE-FREE

10.3.1 MODEL RANGE P10, P14**, P147*, P180 WITH STEEL BACK AND MODEL RANGE P11 WITH BRONZE BACK

Thrust washers in special dimensions available on request (section 10.8).



¹⁾ Maximum 4 free cuts on outside diameter, location optional

Table of dimensions (dimensions in mm)									
Order designation	Weight	Dimensions					Connection dimensions		
P10, P11, P14**, P147*, P180	g	$D_i +0.25$	$D_o -0.25$	$s_3 -0.05$	$J \pm 0.12$	$d_1 +0.4 +0.1$	$t_{Ga} \pm 0.2$	$d_{Ga} +0.12$	
PAW 10 ... P10/... P11/... P14**/... P147*/... P180	2.7	10	20	1.5	15	1.5	1	20	
PAW 12 ... P10/... P11/... P14**/... P147*/... P180	3.9	12	24	1.5	18	1.5	1	24	
PAW 14 ... P10/... P11/... P14**/... P147*/... P180	4.3	14	26	1.5	20	2	1	26	
PAW 16 ... P10/... P11/... P14**/... P147*/... P180	5.8	16	30	1.5	22	2	1	30	
PAW 18 ... P10/... P11/... P14**/... P147*/... P180	6.3	18	32	1.5	25	2	1	32	
PAW 20 ... P10/... P11/... P14**/... P147*/... P180	8.1	20	36	1.5	28	3	1	36	
PAW 22 ... P10/... P11/... P14**/... P147*/... P180	8.7	22	38	1.5	30	3	1	38	
PAW 26 ... P10/... P11/... P14**/... P147*/... P180	11.4	26	44	1.5	35	3	1	44	
PAW 28 ... P10/... P11/... P14**/... P147*/... P180	13.7	28	48	1.5	38	4	1	48	
PAW 32 ... P10/... P11/... P14**/... P147*/... P180	17.1	32	54	1.5	43	4	1	54	
PAW 38 ... P10/... P11/... P14**/... P147*/... P180	21.5	38	62	1.5	50	4	1	62	
PAW 42 ... P10/... P11/... P14**/... P147*/... P180	23.5	42	66	1.5	54	4	1	66	
PAW 48 ... P10/... P11/... P14**/... P147*/... P180	38.5	48	74	2	61	4	1.5	74	
PAW 52 ... P10/... P11/... P14**/... P147*/... P180	41	52	78	2	65	4	1.5	78	
PAW 62 ... P10/... P11/... P14**/... P147*/... P180	52	62	90	2	76	4	1.5	90	

* On request
** Discontinued