

10.1.2 MODEL RANGE P11 WITH BRONZE BACK

Recommended fitting tolerance:

Shaft		Housing bore
$5 \leq d_w < 80$	f7	H7
$80 \leq d_w$	h8	

For bearing clearances, wall thicknesses and chamfer tolerances, see section 8, “Design and layout of bearing position”, “Theoretical bearing clearance”.

Bushes in special dimensions available on request (section 10.8).

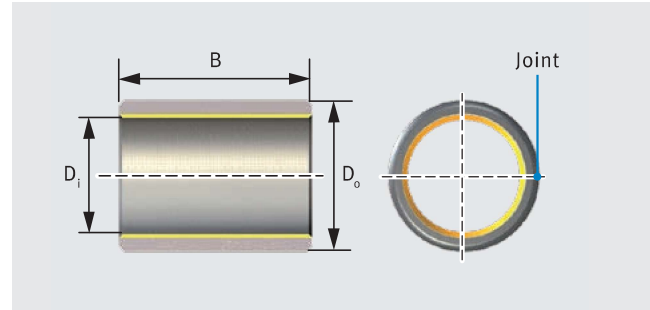


Table of dimensions (dimensions in mm)					
Shaft diameter	Order designation P11	Weight g	Dimensions		
			D_i	D_o	$B \pm 0.25$
4	PAP 0406 P11	0.8	4	6	6
5	PAP 0505 P11	0.8	5	7	5
6	PAP 0606 P11	1.1	6	8	6
	PAP 0610 P11	1.8	6	8	10
8	PAP 0808 P11	1.9	8	10	8
	PAP 0810 P11	2.3	8	10	10
	PAP 0812 P11	2.8	8	10	12
10	PAP 1005 P11	1.4	10	12	5
	PAP 1010 P11	2.8	10	12	10
	PAP 1015 P11	4.2	10	12	15
	PAP 1020 P11	5.7	10	12	20
12	PAP 1210 P11	3.3	12	14	10
	PAP 1212 P11	4	12	14	12
	PAP 1215 P11	5.1	12	14	15
	PAP 1220 P11	6.7	12	14	20
	PAP 1225 P11	8.4	12	14	25
14	PAP 1415 P11	5.8	14	16	15
15	PAP 1515 P11	6.2	15	17	15
	PAP 1525 P11	10.3	15	17	25
16	PAP 1615 P11	6.6	16	18	15
	PAP 1625 P11	11	16	18	25
18	PAP 1815 P11	7.4	18	20	15
	PAP 1825 P11	12.3	18	20	25
20	PAP 2015 P11	12.8	20	23	15
	PAP 2020 P11	17	20	23	20
	PAP 2025 P11	21.3	20	23	25
	PAP 2030 P11	25.5	20	23	30
22	PAP 2215 P11	14	22	25	15
	PAP 2220 P11	18.6	22	25	20
	PAP 2225 P11	23.3	22	25	25
24	PAP2430 P11	30.3	24	27	30
25	PAP 2525 P11	26.2	25	28	25
	PAP 2530 P11	31.5	25	28	30
28	PAP 2830 P11	47.9	28	32	30

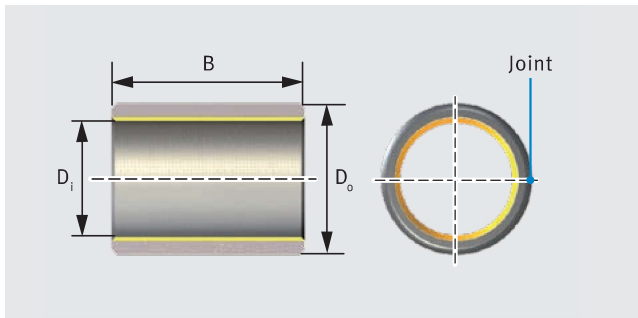


Table of dimensions - continued (dimensions in mm)					
Shaft diameter	Order designation P11	Weight g	Dimensions		
			D _i	D _o	B ±0.25
30	PAP 3020 P11	34.1	30	34	20
	PAP 3030 P11	51.1	30	34	30
	PAP 3040 P11	68.2	30	34	40
35	PAP 3520 P11	39.4	35	39	20
	PAP 3530 P11	59.1	35	39	30
40	PAP 4050 P11	112	40	44	50
45	PAP 4550 P11	159	45	50	50
50	PAP 5030 P11	105	50	55	30
	PAP 5040 P11	140	50	55	40
	PAP 5060 P11	211	50	55	60
55	PAP 5540 P11	154	55	60	40
60	PAP 6040 P11	167	60	65	40
	PAP 6050 P11	209	60	65	50
	PAP 6060 P11	251	60	65	60
	PAP 6070 P11	293	60	65	70
70	PAP 7050 P11	242	70	75	50
	PAP 7070 P11	339	70	75	70
80	PAP 8060 P11	331	80	85	60
	PAP 80100 P11	552	80	85	100
90	PAP 9060 P11	371	90	95	60
	PAP 90100 P11	619	90	95	100
100	PAP 10060 P11	411	100	105	60
	PAP 100115 P11	788	100	105	115