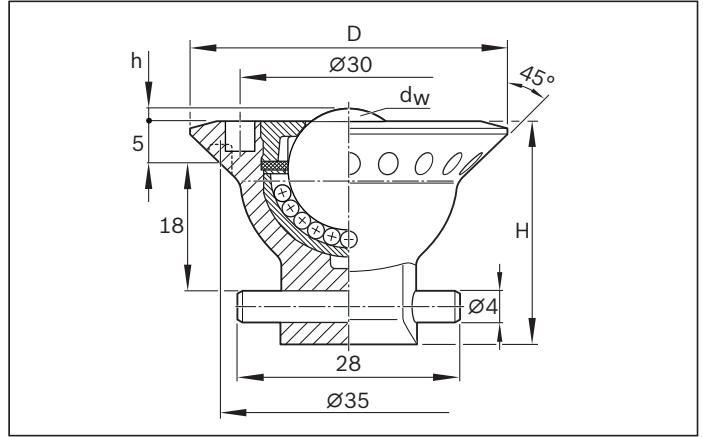
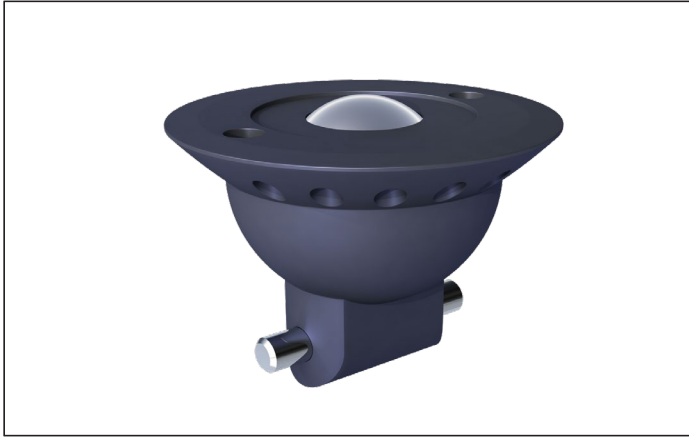


Ball Transfer Unit with plastic housing R0530



Version With plastic housing. For special applications (e.g. for lightweight ball transfer tables).	Size	Part number	Load capacities (N)	Dimensions (mm)					Weight (kg)
				dyn. C	d _w	D	h	H	
R0530 .0 KUL-15-MFG Mounting with quarter-turn fastener With felt seal.	15	R0530 005 20	500	15	42	2	32	0.045	