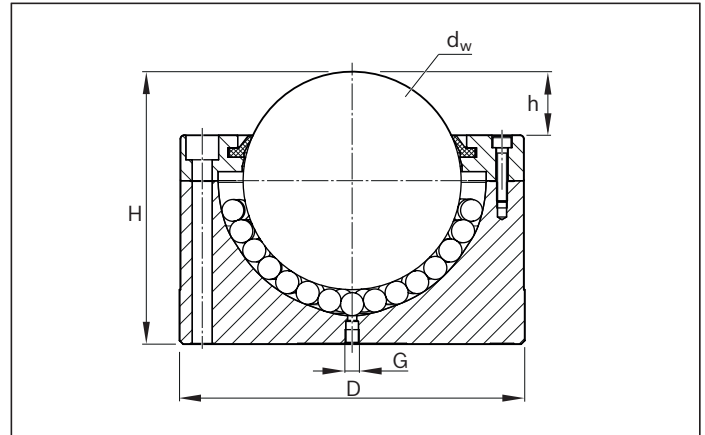
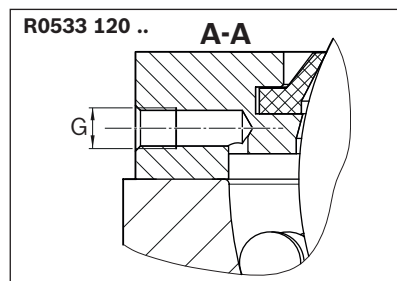
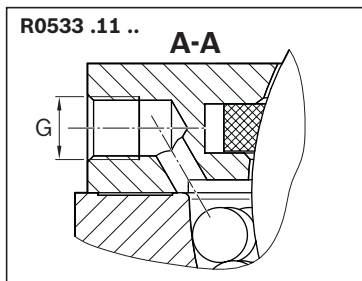


Ball Transfer Unit with solid steel housing R0533 ...,with polymer wiper seal



Version With solid steel housing and cover. For very heavy loads and coarse dirt. With wiper.	Size	Part number	Load capacities (N)		Dimensions (mm)					Weight (kg)
			dyn. C	stat. C ₀	d _w	D	h	H ^{+0.2}	G	m
R0533 ... Surface bright metal. Balls made from antifriction bearing steel 1.3505.	90	R0533 011 00 KUM-A90-BL-AB-SA	25 000	70 000	90	145 ^{+0.08}	25	115	Rp 1/8	11.2
	120	R0533 120 00 KUM-A120-BL-AB-SA	40 000	100 000	120	190 ^{+0.10}	35	150	M8x1	24.6
R0533 1.. Cover and housing galvanized Balls made from antifriction bearing steel 1.3505.	90	R0533 111 10 KUM-B90-BL-AB-SA	25 000	70 000	90	145 ^{+0.08}	25	115	Rp 1/8	11.2

Lube port in the cover and housing



Installation suggestion

Size	Installation dimensions (mm)					
	H ₁	h ₁	S	S ₁	T _k	W
90	80.0	30	9	15	125	6 x 60°
120	101.5	30	11	18	165	3 x 120°