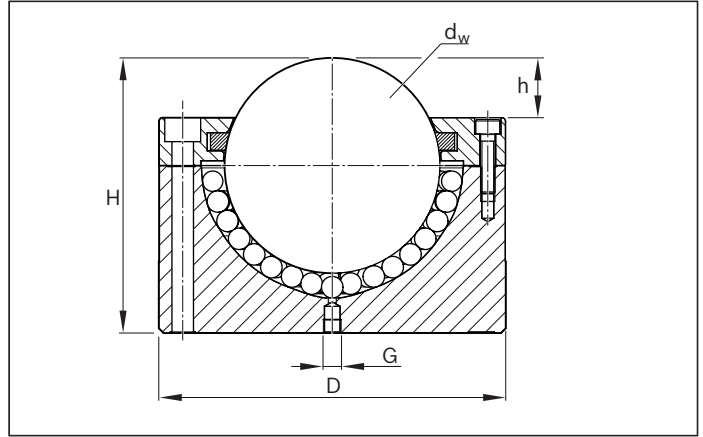
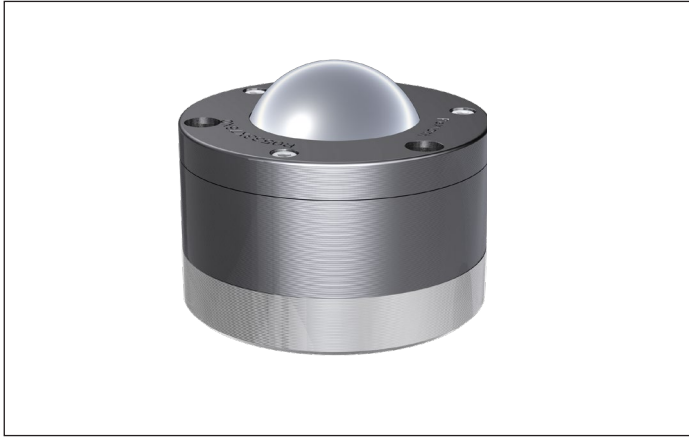
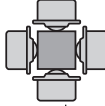


Ball Transfer Unit with solid steel housing R0533 ...



Version With solid steel housing and cover. For very high loads.	Size	Part number	Load capacities (N)		Dimensions (mm)					Weight (kg) m
			 dyn. C	stat. C ₀	d _w	D ±0.08	h	H	G	
R0533 0.. KUM-A..-MFG Surface bright metal. Balls made from antifriction bearing steel 1.3505. With felt seal.	76	R0533 076 00 ¹⁾	20 000	50 000	76.2	130	23	103 ±0.2	M8x1	8.6
	90	R0533 090 00 ²⁾	25 000	70 000	90.0	145	25	115 ±0.2	Rp 1/8	11.2
R0533 1.. KUM-B..-BL-MFG-SA Cover and housing galvanized. Balls made from antifriction bearing steel 1.3505. With felt seal.	76	R0533 177 10 ³⁾	20 000	50 000	76.2	130	23	103 ±0.2	M8x1	8.6
	90	R0533 191 10 ³⁾	25 000	70 000	90.0	145	25	115 ±0.2	Rp 1/8	11.2

¹⁾ Upon request, available with lube hole

²⁾ Lube hole Rp1/8" (at center of base) closed by screw plug

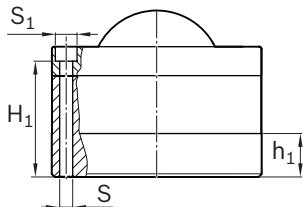
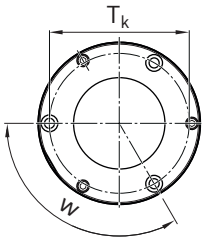
³⁾ Ball Transfer Unit with bottom hole and lube port

Explanation of short product name

(Example: R0533 177 10 KUM-B76-BL-MFG-SA)

KUM	B	76	BL	MFG	SA
Ball Transfer Unit with solid steel housing	Cover and housing galvanized, balls made from antifriction bearing steel	Size	Bottom hole	With felt seal, lubricated	With lube port

Installation suggestion

Size	Installation dimensions (mm)					
						
	H₁	h₁	S	S₁	T_k	W
76	69	25	9	15	110	3 x 120°
90	79	30	9	15	125	3 x 120°