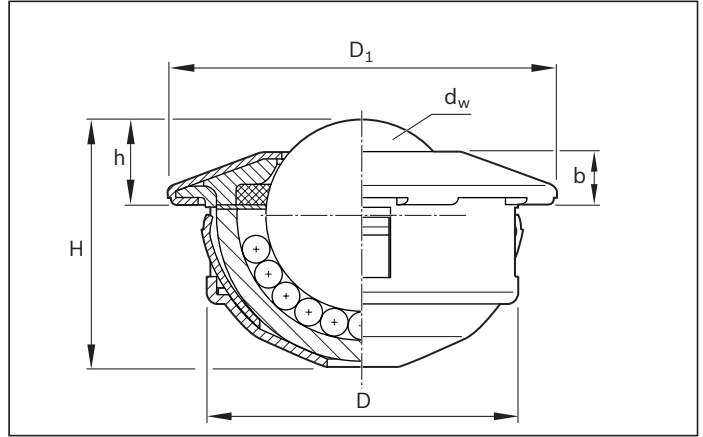


Ball Transfer Units with clip as fastening element R0536 ...



Version	Size	Part number	Load capacities (N)		Dimensions (mm)						Weight (kg)
			dyn. C	stat. C ₀	d _w	D	D ₁	h	H	b	
R0536 1.. KUK - B.. - MFG Cover and housing galvanized. Balls made from antifriction bearing steel 1.3505. With felt seal	15	R0536 115 10 ¹⁾	500	1 000	15.875	24.0 ^{-0.13}	31	9.5 ^{±0.20}	20.0	5.5	0.044
	22	R0536 122 10 ¹⁾	1 300	2 600	22.225	36.0 ^{-0.16}	45	9.8 ^{±0.20}	28.6	6.2	0.146
	30	R0536 130 10 ¹⁾	2 500	5 000	30.162	45.0 ^{-0.25}	55	13.8 ^{±0.30}	37.2	8.2	0.290
R0536 2.. KUK - C.. - MFG All parts galvanized. Balls made from corrosion-resistant steel 1.3541 / 1.4034. With felt seal	15	R0536 215 10 ¹⁾	370	700	15.875	24.0 ^{-0.13}	31	9.5 ^{±0.20}	20.0	5.5	0.044
	22	R0536 222 10 ¹⁾	970	1 800	22.225	36.0 ^{-0.16}	45	9.8 ^{±0.20}	28.6	6.2	0.146
	30	R0536 230 10 ¹⁾	1 900	3 500	30.162	45.0 ^{-0.25}	55	13.8 ^{±0.30}	37.2	8.2	0.290
R0536 3.. KUK - 330 - BL - MFG Ball cup and ball retaining ring made from corrosion-resistant steel, other parts galvanized. Balls made from 1.3541 / 1.4034. With bottom hole and felt seal	30	R0536 331 10	1 900	3 500	30.162	45.0 ^{-0.25}	55	13.8 ^{±0.30}	37.2	8.2	0.290
R0536 4.. KUK - B.. - P - MFK Load balls made from PA66. Cover and housing galvanized. Balls made from antifriction bearing steel 1.3505. With dry felt seal.	15	R0536 415 10 ¹⁾	70 ²⁾	70 ²⁾	15.875	24.0 ^{-0.13}	31	9.5 ^{±0.20}	20.0	5.5	0.030
	22	R0536 422 10 ¹⁾	100 ²⁾	100 ²⁾	22.000	36.0 ^{-0.16}	45	9.6 ^{±0.20}	28.4	6.2	0.105
	30	R0536 430 10 ¹⁾	150 ²⁾	150 ²⁾	29.900	45.0 ^{-0.25}	55	13.6 ^{±0.30}	37.0	8.2	0.196

¹⁾ Ball Transfer Unit with bottom hole on request

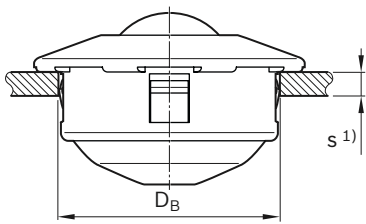
²⁾ At 20 °C

Explanation of short product name

(Example: R0536 230 10 KUK-C30-MFG)

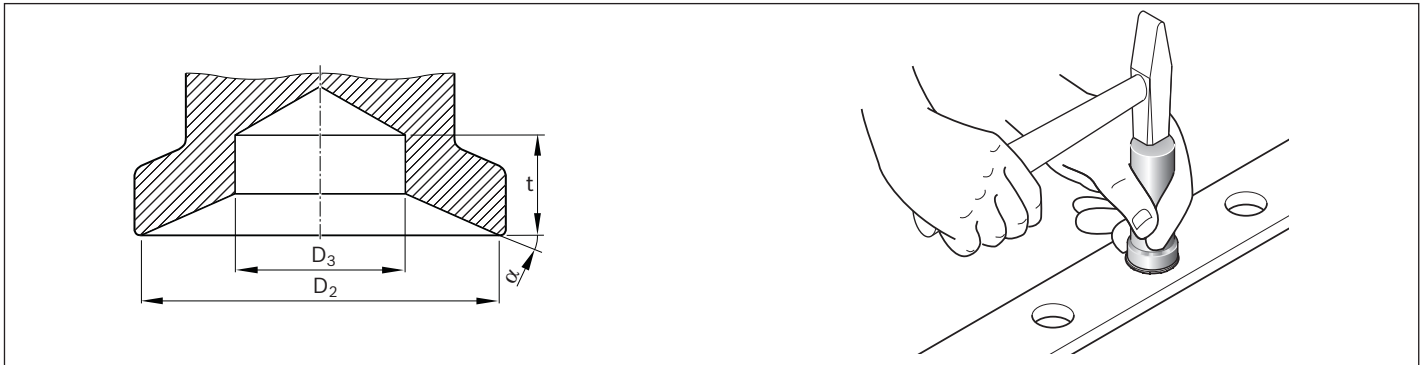
KUK	C	30	P	MFG
Ball Transfer Unit with clip as fastening element	Cover and housing galvanized, balls made from antifriction bearing steel	Size	Load balls made from plastic	With felt seal, lubricated

Installation suggestion

Size	Installation dimensions (mm)	
		
	D_B	s
15	24 ^{+0.5}	1.5
22	36 ^{+0.8}	2.0
30	45 ^{+1.0}	2.5

¹⁾ Minimum thickness of the mounting plate

Mounting tool for Ball Transfer Units R0535 and R0536



Size	Part number	Dimensions (mm)			α (°)
		D ₂	D ₃	t _{min}	
15	R0536 015 30	29	17	10	30
22	R0536 022 30	43	24	10	20
30	R0536 030 30	53	30	10	24
45	R0536 045 30	73	45	15	26

Extraction tool

Recommendation for Ball Transfer Units R0536

for	Dimensions (mm)	
	H ¹⁾ max	B ¹⁾ max
15	0.6	6
22	0.6	8
30	0.8	10

¹⁾ Suitable for the gaps in the supporting edge of the Ball Transfer Unit 0536-

