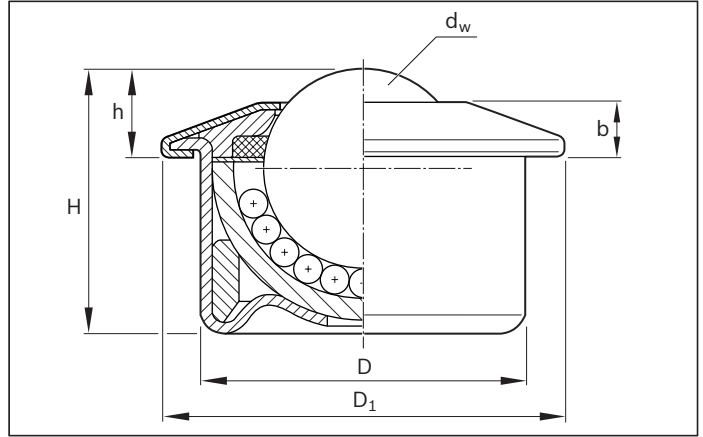


# Ball Transfer Units with reinforced sheet steel housing R0535 ...



Version With sheet steel housing Reinforced housing and cover. For heavy impact loads.	Size	Part number	Load capacities (N)		Dimensions (mm)						Weight (kg)
			dyn. C	stat. C <sub>0</sub>	d <sub>w</sub>	D	D <sub>1</sub>	h	H	b	m
<b>R0535 1..</b> <b>KUS - B.. - MFG</b> Cover and housing galvanized. Balls made from antifriction bearing steel 1.3505 With felt seal	15	R0535 115 10 <sup>1)</sup>	500	1 300	15.875	24.0 <sup>±0.065</sup>	31.0	9.5 <sup>±0.20</sup>	21.5	5.5	0.045
	22	R0535 122 10 <sup>1)</sup>	1 300	3 000	22.225	36.0 <sup>±0.080</sup>	45.0	9.8 <sup>±0.20</sup>	29.5	6.2	0.150
	30	R0535 130 10 <sup>1)</sup>	2 500	6 000	30.162	45.0 <sup>±0.080</sup>	55.0	13.8 <sup>±0.30</sup>	37.5	8.2	0.300
	45	R0535 145 10 <sup>1)</sup>	6 000	15 000	44.450	62.0 <sup>±0.095</sup>	75.0	19.0 <sup>±0.40</sup>	53.7	10.5	0.820
		R0535 147 10	8 000	15 000							
<b>R0535 2..</b> <b>KUS - C.. - MFG</b> All parts galvanized. Balls made from corrosion-resistant steel 1.3541 / 1.4034 With felt seal	15	R0535 215 10 <sup>1)</sup>	370	700	15.875	24.0 <sup>±0.065</sup>	31.0	9.5 <sup>±0.20</sup>	21.5	5.5	0.045
	22	R0535 222 10 <sup>1)</sup>	970	1 800	22.225	36.0 <sup>±0.080</sup>	45.0	9.8 <sup>±0.20</sup>	29.5	6.2	0.150
	30	R0535 230 10 <sup>1)</sup>	1 900	4 000	30.162	45.0 <sup>±0.080</sup>	55.0	13.8 <sup>±0.30</sup>	37.5	8.2	0.300
	45	R0535 245 10 <sup>1)</sup>	4 500	9 000	44.450	62.0 <sup>±0.095</sup>	75.0	19.0 <sup>±0.40</sup>	53.7	10.5	0.820
		R0535 247 10	6 000	12 000							
<b>R0535 3..</b> <b>KUS - 330 - BL - MFG</b> Ball cup and ball retaining ring made from corrosion-resistant steel, other parts galvanized. Balls made from 1.3541 / 1.4034. With bottom hole and felt seal	30	R0535 331 10	1 900	4 000	30.162	45.0 <sup>±0.080</sup>	55.0	13.8 <sup>±0.30</sup>	37.5	8.2	0.300
<b>R0535 7..</b> <b>KUS - 737 - BL - MFG</b> Reinforcing ring and supporting ring galvanized, other parts made from corrosion-resistant steel. Balls made from 1.3541 / 1.4034 With 7 bottom holes. With felt seal to 150 °C	30	R0535 737 00	1 900	4 000	30.162	45.0 <sup>±0.080</sup>	55.0	13.8 <sup>±0.30</sup>	37.5	8.2	0.300

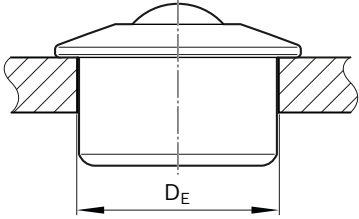
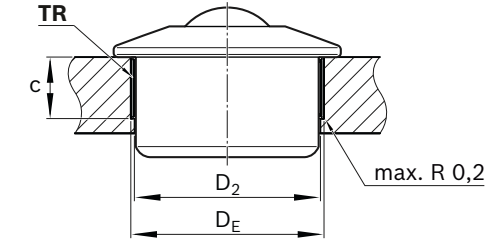
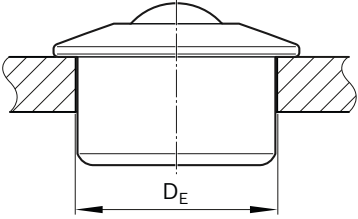
<sup>1)</sup> Ball Transfer Unit with bottom hole on request

**Explanation of short product name**

(Example: **R0535 222 10 KUS-C22-MFG**)

KUS	C	22	MFG
Ball Transfer Unit with reinforced steel housing	All parts galvanized, balls made from corrosion-resistant steel	Size	With felt seal, lubricated

**Installation suggestions for secure fit**

Size	Installation dimensions $D_E$ (mm)		With tolerance ring (TR)				Sticking in <sup>3)</sup>	$D_E^{+0.2}$	
	Press fit		TR	$D_2$	$D_E$	$c^{+0.2}$			
									
	$D_E$ for $\cong$		Part number						
	2 mm sheet steel	16 mm wood	Tolerance ring	$D_2^{+0.2}$	$D_E$	$c^{+0.2}$			
15	23.95 <sup>+0.05</sup>	23.90 <sup>+0.05</sup>	R0810 024 03 <sup>1)</sup>	24.2	25.70 <sup>+0.20</sup>	7.1		24.1	
22	35.90 <sup>+0.05</sup>	35.85 <sup>+0.07</sup>	R0810 036 05 <sup>1)</sup>	36.2	37.70 <sup>+0.20</sup>	12.1		36.1	
30	44.85 <sup>+0.05</sup>	44.80 <sup>+0.10</sup>	R0810 045 01 <sup>1)</sup>	45.2	46.70 <sup>+0.20</sup>	12.1		45.1	
			R0810 045 51 <sup>2)</sup>						
45	61.83 <sup>+0.07</sup>	61.80 <sup>+0.10</sup>	R0810 062 03 <sup>1)</sup>	62.3	64.10 <sup>+0.30</sup>	15.1		62.2	

<sup>1)</sup> Made from spring hinge 1.1248 alternative 1.8159

<sup>2)</sup> Made from corrosion-resistant steel 1.4310

<sup>3)</sup> For small gap dimensions in metal, we recommend single-component acrylate adhesive. Two-component acrylate adhesives are also possible. The technical data sheets of the manufacturer must be observed.

**Assembling the Ball Transfer Units with tolerance ring**

Use a mounting tool  
(see page 19)

