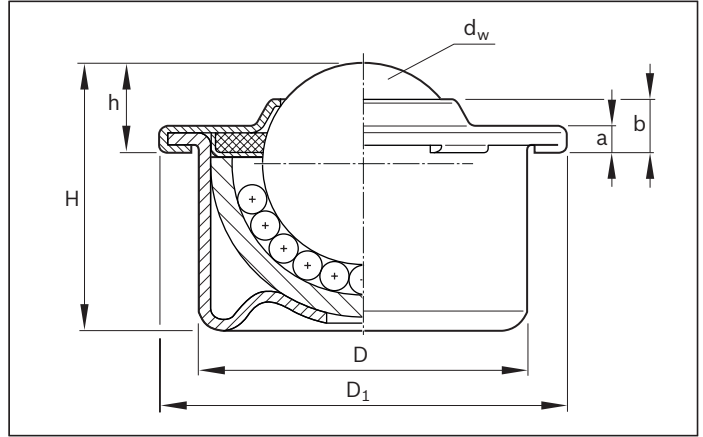


# Ball Transfer Units with plastic load balls R0531 1.., R0531 2.., R0531 6..



Version	Size	Part number	Load capacities <sup>3)</sup> (N)		Dimensions (mm)								Weight (kg)
			dyn. C	stat. C <sub>0</sub>	d <sub>w</sub>	D	D <sub>1</sub>	h	H	a	b	m	
<b>R531 1..</b> KU-B.. - P- MFK Load balls made from PA66. Cover and housing galvanized. Balls made from antifriction bearing steel 1.3505. With dry felt seal.	8	R0531 108 10 <sup>1)</sup>	10	10	7.938	12.6 ±0.055	17.0	4.8 ±0.15	11.2	1.9	3.2	0.005	
	12	R0531 112 10 <sup>1)</sup>	35	35	12.000	18.0 ±0.055	23.3	7.4 ±0.15	15.4	2.1	4.4	0.012	
	15	R0531 115 10 <sup>1) 2)</sup>	70	70	15.875	24.0 ±0.065	31.0	9.5 ±0.20	21.5	2.5	6.1	0.024	
	22	R0531 122 10 <sup>2)</sup>	100	100	22.000	36.0 ±0.080	45.0	9.6 ±0.20	29.3	2.9	5.7	0.093	
	30	R0531 130 10 <sup>2)</sup>	150	150	29.900	45.0 ±0.080	55.0	13.6 ±0.30	37.3	3.7	7.9	0.168	
<b>R531 2..</b> KU-C.. - P- MFK Load balls made from PA66. All parts galvanized. Balls made from corrosion-resistant steel 1.3541 / 1.4034. With dry felt seal.	8	R0531 208 10 <sup>1)</sup>	10	10	7.938	12.6 ±0.055	17.0	4.8 ±0.15	11.2	1.9	3.2	0.005	
	12	R0531 212 10 <sup>1)</sup>	35	35	12.000	18.0 ±0.055	23.3	7.4 ±0.15	15.4	2.1	4.4	0.012	
	15	R0531 215 10 <sup>1) 2)</sup>	70	70	15.875	24.0 ±0.065	31.0	9.5 ±0.20	21.5	2.5	6.1	0.024	
	22	R0531 222 10 <sup>2)</sup>	100	100	22.000	36.0 ±0.080	45.0	9.6 ±0.20	29.3	2.9	5.7	0.093	
	30	R0531 230 10 <sup>2)</sup>	150	150	29.900	45.0 ±0.080	55.0	13.6 ±0.30	37.3	3.7	7.9	0.168	
<b>R531 6..</b> KU-C.. - P- MFK Load balls made from PA66. All parts made from corrosion-resistant steel. Balls made from corrosion-resistant steel 1.3541 / 1.4034. With dry felt seal.	8	R0531 608 00 <sup>1)</sup>	10	10	7.938	12.6 ±0.055	17.0	4.8 ±0.15	11.2	1.9	3.2	0.005	
	12	R0531 612 00 <sup>1)</sup>	35	35	12.000	18.0 ±0.055	23.3	7.4 ±0.15	15.4	2.1	4.4	0.012	
	15	R0531 615 00 <sup>1) 2)</sup>	70	70	15.875	24.0 ±0.065	31.0	9.5 ±0.20	21.5	2.5	6.1	0.024	
	22	R0531 622 00 <sup>2)</sup>	100	100	22.000	36.0 ±0.080	45.0	9.6 ±0.20	29.3	2.9	5.7	0.093	
	30	R0531 630 00 <sup>2)</sup>	150	150	29.900	45.0 ±0.080	55.0	13.6 ±0.30	37.3	3.7	7.9	0.168	

<sup>1)</sup> Without felt seal

<sup>2)</sup> Ball Transfer Unit with bottom hole on request

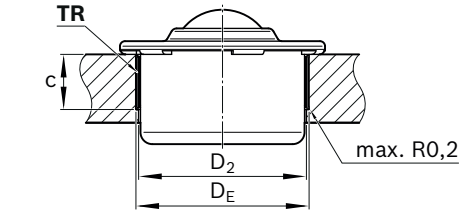
<sup>3)</sup> At 20 °C

**Explanation of short product name**

(Example: R0531 215 10 KU-C15-P-OFK)

KU	C	15	P	OFK
Ball Transfer Unit	All parts galvanized, balls made from corrosion-resistant steel	Size	Load balls made from plastic	Without felt seal, preserved

**Installation suggestions for secure fit**

Size	Installation dimensions $D_E$ (mm)		With tolerance ring (TR)			Sticking in <sup>3)</sup>	
	Press fit						
	$D_E$ for $\cong$		Part number	$D_2^{+0.2}$	$D_E$	$c^{+0.2}$	$D_2^{+0.2}$
	2 mm sheet steel	16 mm wood	Tolerance ring				
	5 mm aluminum						
<b>8</b>	12.57 <sup>+0.03</sup>	12.50 <sup>+0.05</sup>	R0810 012 52 <sup>2)</sup>	12.8	13.87 <sup>+0.15</sup>	6.1	12.7
<b>12</b>	17.97 <sup>+0.03</sup>	17.90 <sup>+0.05</sup>	R0810 018 01 <sup>1)</sup>	18.2	19.70 <sup>+0.20</sup>	6.1	18.1
<b>15</b>	23.95 <sup>+0.05</sup>	23.90 <sup>+0.05</sup>	R0810 024 03 <sup>1)</sup>	24.2	25.70 <sup>+0.20</sup>	7.1	24.1
<b>22</b>	35.90 <sup>+0.05</sup>	35.85 <sup>+0.07</sup>	R0810 036 05 <sup>1)</sup>	36.2	37.70 <sup>+0.20</sup>	12.1	36.1
<b>30</b>	44.85 <sup>+0.05</sup>	44.80 <sup>+0.10</sup>	R0810 045 01 <sup>1)</sup>	45.2	46.70 <sup>+0.20</sup>	12.1	45.1
			R0810 045 51 <sup>2)</sup>				

<sup>1)</sup> Made from spring hinge 1.1248 alternative 1.8159

<sup>2)</sup> Made from corrosion-resistant steel 1.4310

<sup>3)</sup> For small gap dimensions in metal, we recommend single-component acrylate adhesive. Two-component acrylate adhesives are also possible. The technical data sheets of the manufacturer must be observed.

**Assembling the Ball Transfer Units with tolerance ring**
