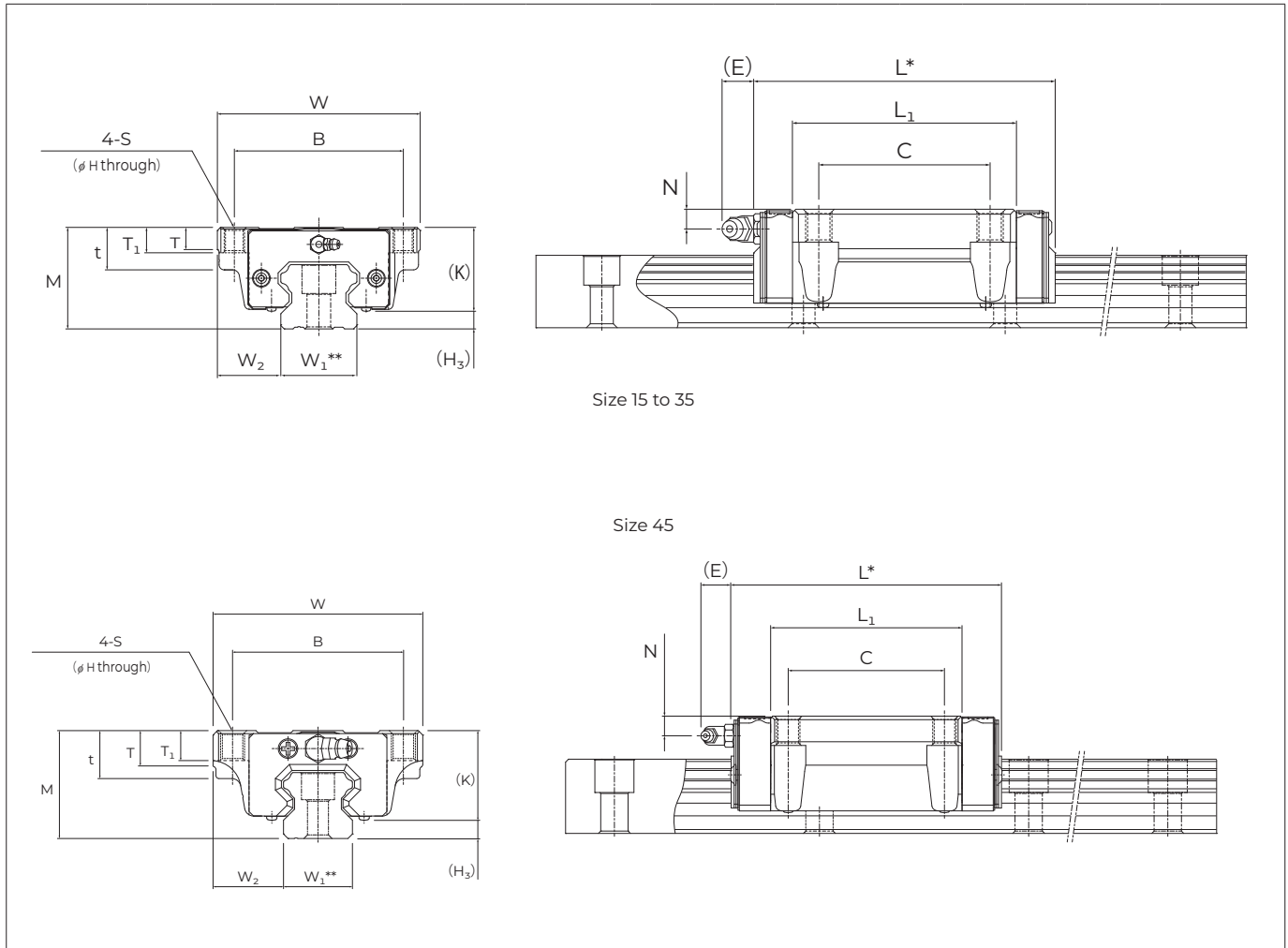


■ Block - Flanged type - standard and long block



Size 15 to 35

Size 45

* If additional sealing options are used, the dimension L changes, see Tb. 12 Pg 14.
** See Pg. 6, 7

Fig.6

Model	External dimensions			Block dimensions												H ₃ [mm]	Weight [kg]
	Height M [mm]	Width W [mm]	Length L* [mm]	B [mm]	C [mm]	S [mm]	H [mm]	L ₁ [mm]	t [mm]	T [mm]	T ₁ [mm]	K [mm]	N [mm]	E [mm]	W ₂ [mm]		
MGB15 MGB15L	24	47	56.6 74.6	38	30	M5	4.4	38.8 56.8	11	7	7	19.3	4.3	5.5	16	4.7	0.2 0.29
MGB20 MGB20L	30	63	74 90	53	40	M6	5.4	50.8 66.8	10	9.5	10	26	5	12	12	4	0.35 0.47
MGB25 MGB25L	36	70	83.1 102.2	57	45	M8	6.8	59.5 78.6	16	11	10	30.5	6	12	12	5.5	0.59 0.75
MGB30 MGB30L	42	90	98 120.6	62	52	M10	8.5	70.4 93	18	9	10	35	7	12	12	7	1.1 1.3
MGB35 MGB35L	48	100	109.4 134.8	82	62	M10	8.5	80.4 105.8	21	12	13	40.5	8	12	12	7.5	1.6 2.0
MGB45 MGB45L	60	120	138.9 170.7	100	80	M12	10.5	98 129.8	25	13	13	50	10	16	16	10	2.8 3.3

* If additional sealing options are used, the dimension L changes, see Tb. 12 Pg 14.

Tab.5