

High Tensile Series SM/SF..40 SMG/SFG..40

Use

- Application in all fields where static loadings are high, at reduced velocities

Slip contact

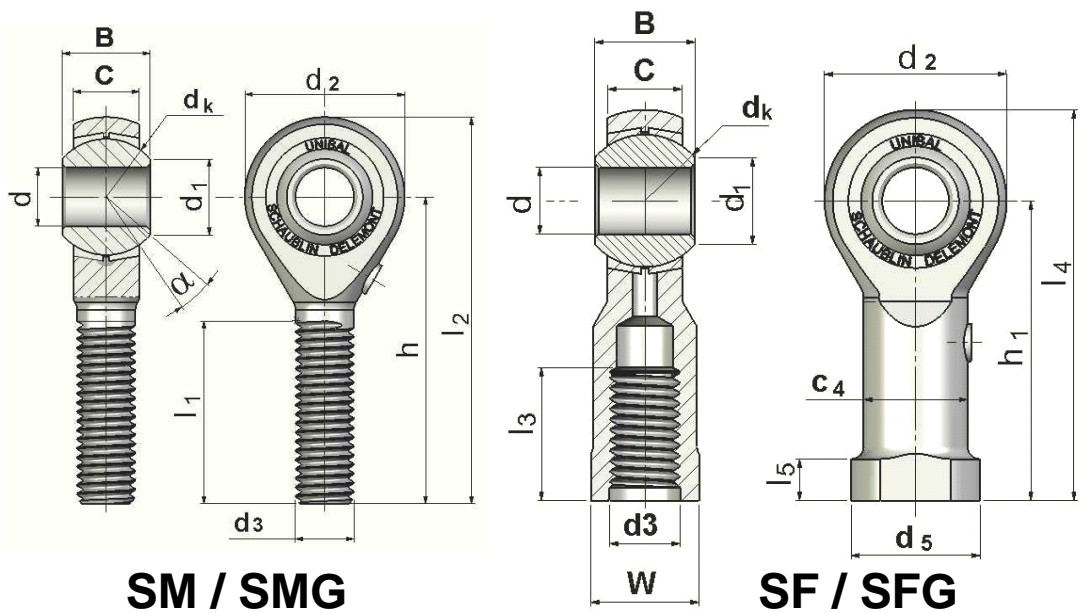
- Bronze spacers / Bearing steel bush

Maintenance

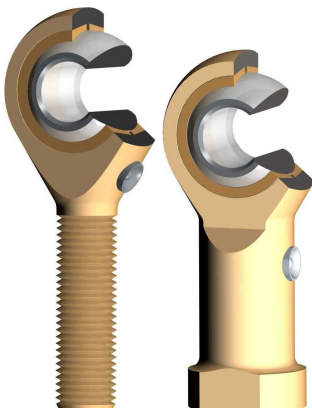
- Requires regular lubrication.
- Integral lubricator on rods from size 8 (letter G)

Dimensions:

- Available in sizes 5 to 30
- Please ask us for bore diameters over 30mm



Type		d	B	C	dk	d1	d2	d3
		H7	⁰ - 0,05	± 0.2				(SM) 6 g (SF) 6 H
SM 5.40	SF 5.40	5	8	6	11.11	7.71	16	M5 x0.8
SM 6.40	SF 6.40	6	9	6.75	12.70	8.96	18	M6 x1
SMG 8.40	SFG 8.40	8	12	9	15.88	10.40	22	M8 x1.25
SMG 10.40	SFG 10.40	10	14	10.5	19.05	12.92	26	M10 x1.5
SMG 12.40	SFG 12.40	12	16	12	22.23	15.43	30	M12 x1.75
SMG 14.40	SFG 14.40	14	19	13.5	25.40	16.86	34	M14 x2
SMG 16.40	SFG 16.40	16	21	15	28.58	19.39	38	M16 x2
SMG 18.40	SFG 18.40	18	23	16.5	31.75	21.89	42	M18 x1.5
SMG 20.40	SFG 20.40	20	25	18	34.92	24.38	46	M20 x1.5
SMG 22.40	SFG 22.40	22	28	20	38.10	25.84	50	M22 x1.5
SMG 25.40	SFG 25.40	25	31	22	42.85	29.60	56	M24 x2
SMG 30.40	SFG 30.40	30	37	25	50.80	34.80	66	M30 x2



High Tensile Series SM/SF..40 SMG/SFG..40

Materials

Mount:

- Steel C45 (1.0503) treated, zinc chromated yellow

Bush:

- Bearing steel 100Cr6 (1.3505) hardened, chrome (size 5 to 20)

Spacers:

- GC-CuSn7ZnPb

Notes

Left-hand thread: add the suffix L in the description

- Example: SMLG 12.40

By request:

- Produced with reduced play
- Magnetic fault inspection (suffix M – Example: SMGM12.40)
- Hard chrome plated bush
- Original lubricant - Molykote BR2 (see page 17)
- CETOP or special thread

d mm	d ₅	C ₄	h	h ₁	l ₁ ± 0.5	l ₂	l ₃ ± 0.5	l ₄	l ₅	W	α°	Basic static loading C ₀ (daN)	Weight (g)	
													SMG	SFG
5	9.5	7.5	33	27	20	41	12.5	35	4	8	13	990	12	14
6	12	9.5	36	30	22	45	13	39	5	10	13	1,190	18	22
8	16	12.5	42	36	25	53	16	47	5	13	14	1,760	35	38
10	19	15.0	48	43	29	61	19	56	6.5	16	14	2,300	57	70
12	22	17.5	54	50	33	69	20	65	6.5	18	13	2,920	87	110
14	25	20.0	60	57	36	77	25	74	8	21	16	3,610	120	150
16	27	22.0	66	64	40	85	30	83	8	24	15	4,370	170	200
18	31	25.0	72	71	44	93	33	92	10	27	15	5,210	240	280
20	34	27.5	78	77	47	101	36	100	10	30	15	6,120	320	370
22	37	30.0	84	84	51	109	40	109	12	34	15	7,210	420	480
25	42	33.5	94	94	57	122	42	122	12	36	15	8,780	580	670
30	50	40.0	110	110	66	143	50	143	15	46	17	11,610	980	1 080