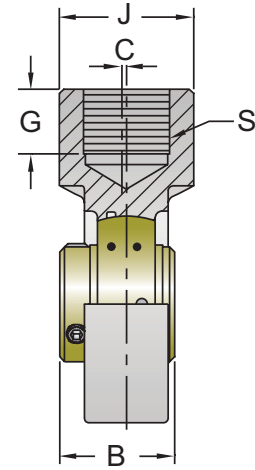
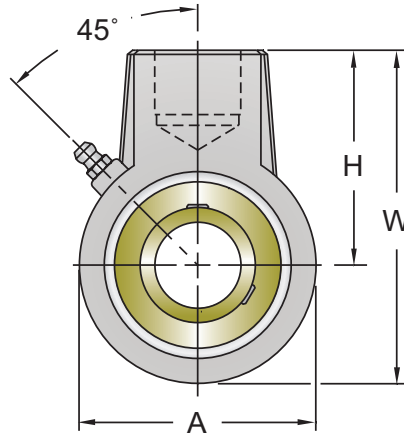


Shaft Dia. (in.)	AMI Unit #	List Price	Dimensions (in.)														Bearing #	Housing #	Weight (lb.)	
			O	G	T	Q	S	W	D	M	V	A	J	X	H	Z				B
1/2	UCST201-8NPMZ2																	UC201-8MZ2		1.86
5/8	UCST202-10NPMZ2	94.70	5/8	3/8	2	1-1/4	3/4	2	17/32	3	3-1/2	3-11/16	1-1/4	15/16	2-3/8	1-3/16	1.220	UC202-10MZ2	ST204NP	1.82
3/4	UCST204-12NPMZ2																	UC204-12MZ2		1.78
7/8	UCST205-14NPMZ2																	UC205-14MZ2		1.82
1	UCST205-16NPMZ2	100.30	5/8	3/8	2	1-1/4	7/8	2	17/32	3	3-1/2	3-13/16	1-1/4	15/16	2-7/16	1-1/4	1.339	UC205-16MZ2	ST205NP	1.74
1-1/16	UCST206-17NPMZ2																	UC206-17MZ2		2.46
1-1/8	UCST206-18NPMZ2																	UC206-18MZ2		2.40
1-3/16	UCST206-19NPMZ2	122.00	5/8	3/8	2-3/16	1-7/16	7/8	2-1/4	17/32	3-1/2	4	4-7/16	1-7/16	15/16	2-3/4	1-11/32	1.500	UC206-19MZ2	ST206NP	2.36
1-1/4	UCST206-20NPMZ2																	UC206-20MZ2		2.32
1-1/4	UCST207-20NPMZ2																	UC207-20MZ2		3.56
1-5/16	UCST207-21NPMZ2																	UC207-21MZ2		3.50
1-3/8	UCST207-22NPMZ2	146.90	5/8	1/2	2-1/2	1-7/16	7/8	2-1/2	17/32	3-1/2	4	5-1/16	1-7/16	1-3/16	3-1/16	1-19/32	1.689	UC207-22MZ2	ST207NP	3.44
1-7/16	UCST207-23NPMZ2																	UC207-23MZ2		3.36
1-1/2	UCST208-24NPMZ2	173.10	3/4	5/8	3-1/4	1-15/16	1-1/8	3-1/4	11/16	4	4-1/2	5-11/16	1-15/16	1-3/8	3-1/2	1-7/8	1.937	UC208-24MZ2	ST208NP	5.38
1-11/16	UCST209-27NPMZ2																	UC209-27MZ2		5.17
1-3/4	UCST209-28NPMZ2	190.10	3/4	5/8	3-1/4	1-15/16	1-1/8	3-1/4	11/16	4	4-5/8	5-11/16	1-15/16	1-3/8	3-7/16	1-7/8	1.937	UC209-28MZ2	ST209NP	5.09
1-7/8	UCST210-30NPMZ2																	UC210-30MZ2		5.46
1-15/16	UCST210-31NPMZ2																	UC210-31MZ2		5.36
2	UCST210-32NPMZ2	219.20	3/4	5/8	3-1/4	1-15/16	1-1/8	3-3/8	11/16	4	4-5/8	5-7/8	1-15/16	1-3/8	3-9/16	1-31/32	2.031	UC210-32MZ2	ST210NP	5.26
2	UCST211-32NPMZ2																	UCX10-32MZ2		8.86
2-3/16	UCST211-35NPMZ2	389.35	1	3/4	4	2-1/2	1-3/8	3-3/4	1-1/16	5-1/8	5-3/4	6-3/4	2-1/2	1-5/8	4-3/16	2-1/8	2.189	UC211-35MZ2	ST211NP	8.48
Dimensions (mm)																				
15	UCT202NPMZ2																	UC202MZ2		1.64
17	UCT203NPMZ2	94.70	16	10	51	32	19	51	12	76	89	94	32	21	61	28.8	31	UC203MZ2	T204NP	1.62
20	UCT204NPMZ2																	UC204MZ2		1.56
25	UCT205NPMZ2	100.30	16	10	51	32	19	51	12	76	89	97	32	24	62	31.7	34	UC205MZ2	T205NP	1.73
30	UCT206NPMZ2	122.00	16	10	56	37	22	57	12	89	102	113	37	28	70	36.2	38.1	UC206MZ2	T206NP	2.50
35	UCT207NPMZ2	146.90	16	13	64	37	22	64	12	89	102	129	37	30	78	40.4	42.9	UC207MZ2	T207NP	3.42
40	UCT208NPMZ2	173.10	19	16	83	49	29	83	16	102	114	144	49	33	88	46.7	49.2	UC208MZ2	T208NP	5.12
45	UCT209NPMZ2	190.10	19	16	83	49	29	83	16	102	117	144	49	35	87	47.7	49.2	UC209MZ2	T209NP	5.16
50	UCT210NPMZ2	219.20	19	16	83	49	29	86	16	102	117	149	49	37	90	51.1	51.6	UC210MZ2	T210NP	5.64

NOTE: Lubrication fitting Tap Size for 1" and smaller shaft sizes, 1/4-28 UNF; for all other sizes, 1/8-27 NPT

INTERCHANGES: YTU1NT RTUEY1-FA125 CUCNPT205-16 WTH3S216E NTC251

SELECT



SELECT

Shaft Dia. (in.)	AMI Unit #	List Price	Dimensions (in.)								Bearing #	Housing #	Weight (lb.)
			A	W	H	J	S (BSP)	G	B	C			
1/2	UCECH201-8NPMZ2	128.80	2-3/4	3-7/8	2-1/2	1-9/16	3/4-14	3/4	1.220	0	UC201-8MZ2	ECH204NP	1.70
5/8	UCECH202-10NPMZ2										UC202-10MZ2		1.66
3/4	UCECH204-12NPMZ2										UC204-12MZ2		1.62
7/8	UCECH205-14NPMZ2	134.10	2-3/4	3-7/8	2-1/2	1-9/16	3/4-14	3/4	1.339	0	UC205-14MZ2	ECH205NP	1.62
1	UCECH205-16NPMZ2										UC205-16MZ2		1.54
1-1/16	UCECH206-17NPMZ2										UC206-17MZ2		2.06
1-1/8	UCECH206-18NPMZ2	159.30	3-1/8	4-1/8	2-1/2	1-9/16	3/4-14	3/4	1.500	0	UC206-18MZ2	ECH206NP	2.00
1-3/16	UCECH206-19NPMZ2										UC206-19MZ2		1.96
1-1/4	UCECH206-20NPMZ2										UC206-20MZ2		1.92
1-1/4	UCECH207-20NPMZ2	198.30	3-5/8	4-9/16	2-3/4	1-9/16	3/4-14	3/4	1.689	0	UC207-20MZ2	ECH207NP	2.86
1-5/16	UCECH207-21NPMZ2										UC207-21MZ2		2.80
1-3/8	UCECH207-22NPMZ2										UC207-22MZ2		2.74
1-7/16	UCECH207-23NPMZ2										UC207-23MZ2		2.66
1-1/2	UCECH208-24NPMZ2	233.60	3-3/4	4-3/4	2-7/8	1-9/16	3/4-14	3/4	1.937	0.079	UC208-24MZ2	ECH208NP	3.08
1-11/16	UCECH209-27NPMZ2	264.40	4-1/4	5-3/8	3-1/4	1-7/8	1-11	13/16	1.937	0.157	UC209-27MZ2	ECH209NP	4.32
1-3/4	UCECH209-28NPMZ2										UC209-28MZ2		4.24
1-7/8	UCECH210-30NPMZ2	299.30	4-1/2	5-1/2	3-1/4	1-7/8	1-11	13/16	2.031	0.197	UC210-30MZ2	ECH210NP	4.68
1-15/16	UCECH210-31NPMZ2										UC210-31MZ2		4.58
2	UCECH210-32NPMZ2										UC210-32MZ2		4.48
2	UCECH211-32NPMZ2	388.60	5-5/8	6-13/16	4	2-23/64	1-1/4-11	1-1/8	2.189	0.343	UCX10-32MZ2	ECH211NP	8.50
2-3/16	UCECH211-35NPMZ2										UC211-35MZ2		8.12
Dimensions (mm)													
15	UCECH202NPMZ2	128.80	70	99	64	40	3/4-14	19	31	0	UC202MZ2	ECH204NP	1.68
17	UCECH203NPMZ2										UC203MZ2		1.66
20	UCECH204NPMZ2										UC204MZ2		1.60
25	UCECH205NPMZ2	134.10	70	99	64	40	3/4-14	19	34	0	UC205MZ2	ECH205NP	1.56
30	UCECH206NPMZ2	159.30	80	104	64	40	3/4-14	19	38.1	0	UC206MZ2	ECH206NP	1.96
35	UCECH207NPMZ2	198.30	92	116	70	40	3/4-14	19	42.9	0	UC207MZ2	ECH207NP	2.74
40	UCECH208NPMZ2	233.60	96	121	73	40	3/4-14	19	49.2	2	UC208MZ2	ECH208NP	2.98
45	UCECH209NPMZ2	264.40	108	136	82	48	1-11	21	49.2	4	UC209MZ2	ECH209NP	4.20
50	UCECH210NPMZ2	299.30	114	140	83	48	1-11	21	51.6	5	UC210MZ2	ECH210NP	4.54

NOTE: Lubrication fitting Tap Size for 1" and smaller shaft sizes, 1/4-28 UNF; for all other sizes, 1/8-27 NPT

INTERCHANGES: CUCNPHA205-16 NMEHB1