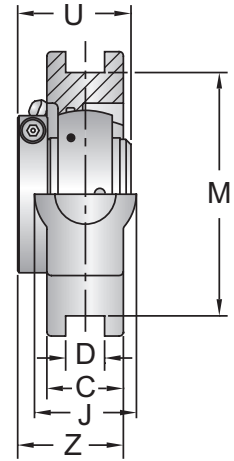
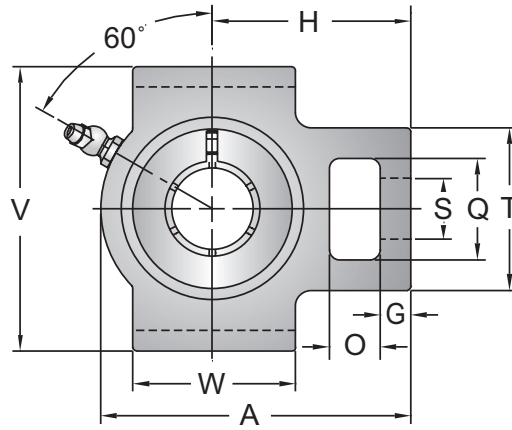


Shaft Dia. (in.)	AMI Unit #	List Price	Dimensions (in.)							Bolt Size (in.)	Bearing #	Housing #	Weight (lb.)
			A	E	G	X	S	Z	U				
3/4	UEMF204-12MZ20	353.40	3-3/8	2-1/2	15/32	1	7/16	1-25/64	1.299	3/8	UE204-12MZ20	MF204	1.56
1	UEMF205-16MZ20	411.05	3-3/4	2-3/4	9/16	1-1/16	15/32	1-15/32	1.394	7/16	UE205-16MZ20	MF205	2.12
1-3/16	UEMF206-19MZ20	461.25	4-1/4	3-1/4	9/16	1-7/32	15/32	1-21/32	1.567	7/16	UE206-19MZ20	MF206	2.76
1-1/4	UEMF206-20MZ20										UE206-20MZ20		2.70
1-1/4	UEMF207-20MZ20	528.85	4-5/8	3-5/8	5/8	1-11/32	17/32	1-25/32	1.728	1/2	UE207-20MZ20	MF207	3.80
1-7/16	UEMF207-23MZ20										UE207-23MZ20		3.64
1-1/2	UEMF208-24MZ20	638.80	5-1/8	4	5/8	1-13/32	17/32	2-1/16	1.976	1/2	UE208-24MZ20	MF208	4.82
1-11/16	UEMF209-27MZ20	665.85	5-3/8	4-1/8	23/32	1-1/2	19/32	2-3/32	1.976	9/16	UE209-27MZ20	MF209	5.64
1-15/16	UEMF210-31MZ20	710.75	5-5/8	4-3/8	23/32	1-9/16	19/32	2-11/64	2.071	9/16	UE210-31MZ20	MF210	6.32
2	UEMF211-32MZ20	875.00	6-3/8	5-1/8	25/32	1-11/16	21/32	2-11/32	2.228	5/8	UE211-32MZ20	MF211	9.24
2-7/16	UEMF212-39MZ20	978.75	6-7/8	5-5/8	25/32	1-7/8	21/32	2-49/64	2.622	5/8	UE212-39MZ20	MF212	11.22

NOTE: Lubrication fitting Tap Size for 1" and smaller shaft sizes, 1/4-28 UNF; for all other sizes, 1/8-27 NPT

INTERCHANGES: F4B-DLEZ-100SHCR CRFS-PN16T

CHOICE PLUS



Shaft Dia. (in.)	AMI Unit #	List Price	Dimensions (in.)															Bearing #	Housing #	Weight (lb.)
			O	G	T	Q	S	W	D	M	V	A	J	C	H	Z	U			
3/4	UEMST204-12MZ20	353.40	5/8	3/8	2	1-1/4	3/4	2	17/32	3	3-1/2	3-11/16	1-1/4	13/16	2-3/8	1-17/64	1.299	UE204-12MZ20	MST204	1.92
1	UEMST205-16MZ20	411.05	5/8	3/8	2	1-1/4	3/4	2	17/32	3	3-1/2	3-13/16	1-1/4	15/16	2-7/16	1-19/64	1.394	UE205-16MZ20	MST205	1.94
1-3/16	UEMST206-19MZ20	461.25	5/8	3/8	2-3/16	1-29/64	7/8	2-1/4	17/32	3-1/2	4	4-7/16	1-7/16	1-3/32	2-3/4	1-13/32	1.567	UE206-19MZ20	MST206	2.96
1-1/4	UEMST206-20MZ20		UE206-20MZ20	2.90																
1-1/4	UEMST207-20MZ20	528.85	5/8	1/2	2-1/2	1-29/64	7/8	2-1/2	17/32	3-1/2	4	5-5/64	1-7/16	1-3/16	3-1/16	1-5/8	1.728	UE207-20MZ20	MST207	3.88
1-7/16	UEMST207-23MZ20		UE207-23MZ20	3.72																
1-1/2	UEMST208-24MZ20	638.80	3/4	5/8	3-1/4	1-15/16	1-1/8	3-1/4	11/16	4	4-1/2	5-11/16	1-15/16	1-3/8	3-1/2	1-59/64	1.976	UE208-24MZ20	MST208	5.72
1-11/16	UEMST209-27MZ20	665.85	3/4	5/8	3-1/4	1-15/16	1-1/8	3-1/4	11/16	4	4-5/8	5-11/16	1-15/16	1-3/8	3-17/16	1-59/64	1.976	UE209-27MZ20	MST209	5.65

NOTE: Lubrication fitting Tap Size for 1" and smaller shaft sizes, 1/4-28 UNF; for all other sizes, 1/8-27 NPT

INTERCHANGES: ST-PN-T / WSTU-DLEZ-100-SHCR

CHOICE PLUS