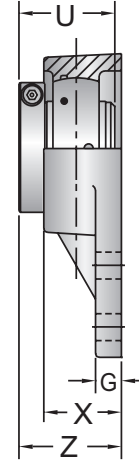
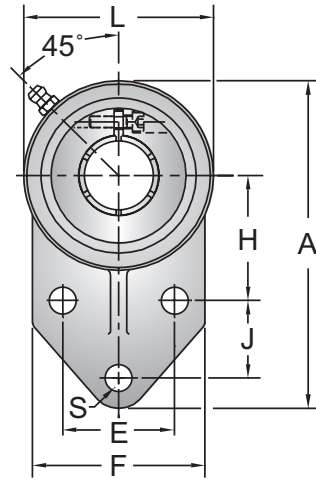


Shaft Dia. (in.)	AMI Unit #	List Price	Dimensions (in.)								Bolt Size (in.)	Bearing #	Housing #	Weight (lb.)
			A	E	G	X	S	L	Z	U				
3/4	UEMFL204-12MZ20	353.40	4-13/32	3-17/32	7/16	31/32	13/32	2-3/8	1-23/64	1.299	3/8	UE204-12MZ20	MFL204	1.16
1	UEMFL205-16MZ20	411.05	4-7/8	3-57/64	17/32	1-1/16	15/32	2-3/4	1-29/64	1.394	7/16	UE205-16MZ20	MFL205	1.50
1-3/16	UEMFL206-19MZ20	461.25	5-9/16	4-19/32	17/32	1-3/16	1/2	3-1/4	1-41/64	1.567	7/16	UE206-19MZ20	MFL206	2.10
1-1/4	UEMFL206-20MZ20											UE206-20MZ20		2.04
1-1/4	UEMFL207-20MZ20	528.85	6-1/8	5-1/8	9/16	1-11/32	35/64	3-3/4	1-25/32	1.728	1/2	UE207-20MZ20	MFL207	2.98
1-7/16	UEMFL207-23MZ20											UE207-23MZ20		2.82
1-1/2	UEMFL208-24MZ20	638.80	6-3/4	5-21/32	9/16	1-1/2	35/64	4-1/8	2-1/16	1.976	1/2	UE208-24MZ20	MFL208	3.84
1-11/16	UEMFL209-27MZ20	665.85	7-1/16	5-27/32	9/16	1-9/16	5/8	4-3/8	2-3/32	1.976	9/16	UE209-27MZ20	MFL209	4.46
1-15/16	UEMFL210-31MZ20	710.75	7-7/16	6-3/16	9/16	1-9/16	5/8	4-9/16	2-13/64	2.071	9/16	UE210-31MZ20	MFL210	5.26

NOTE: Lubrication fitting Tap Size for 1" and smaller shaft sizes, 1/4-28 UNF; for all other sizes, 1/8-27 NPT

**INTERCHANGES: F2B-DLEZ-100SHCR CRFTS-PN16T**

**CHOICE PLUS**



Shaft Dia. (in.)	AMI Unit #	List Price	Dimensions (in.)											Bolt Size (in.)	Bearing #	Housing #	Weight (lb.)
			A	H	E	J	G	X	S	L	F	Z	U				
3/4	UEMFB204-12MZ20	353.40	4-1/4	1-11/16	1-1/2	7/8	5/16	1	25/64	2-1/2	2-3/8	1-27/64	1.299	3/8	UE204-12MZ20	MFB204	1.38
1	UEMFB205-16MZ20	411.05	4-3/4	1-13/16	1-5/8	1-1/8	3/8	1-1/8	25/64	2-3/4	2-1/2	1-31/64	1.394	3/8	UE205-16MZ20	MFB205	1.74
1-3/16	UEMFB206-19MZ20	461.25	5-3/8	2-1/16	1-7/8	1-1/4	3/8	1-1/4	25/64	3-1/4	2-3/4	1-43/64	1.567	3/8	UE206-19MZ20	MFB206	2.42
1-1/4	UEMFB206-20MZ20														2.36		
1-1/4	UEMFB207-20MZ20	528.85	6-1/8	2-3/8	2	1-1/4	1/2	1-7/16	33/64	3-3/4	3-1/4	1-55/64	1.728	1/2	UE207-20MZ20	MFB207	3.88
1-7/16	UEMFB207-23MZ20														3.72		
1-1/2	UEMFB208-24MZ20	638.80	6-15/32	2-3/8	1-31/32	1-5/8	5/8	1-13/32	15/32	3-15/16	3-1/16	2-1/16	1.976	7/16	UE208-24MZ20	MFB208	4.34

NOTE: Lubrication fitting Tap Size for 1" and smaller shaft sizes, 1/4-28 UNF; for all other sizes, 1/8-27 NPT

**INTERCHANGES: CRFBS-PN16T**

**CHOICE PLUS**