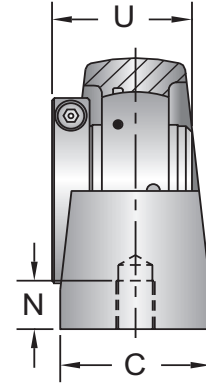
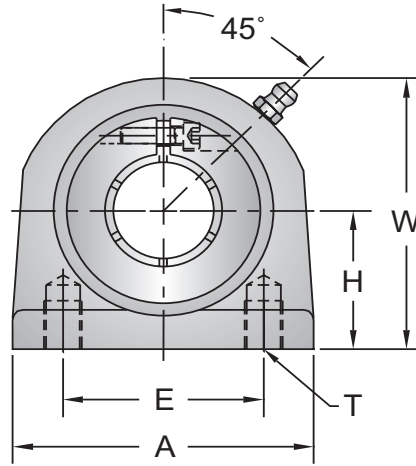


Shaft Dia. (in.)	AMI Unit #	List Price	Dimensions (in.)										Bolt Size (in.)	Bearing #	Housing #	Weight (lb.)
			H	A	E		C	S	N	G	W	U				
					Min.	Max.										
3/4	UEMP204-12MZ20	353.40	1-5/16	5	3-3/8	4-1/8	1-1/2	1/2	3/4	19/32	2-9/16	1.299	3/8	UE204-12MZ20	MP204	1.86
1	UEMP205-16MZ20	411.05	1-7/16	5-1/2	3-3/4	4-1/2	1-1/2	1/2	3/4	5/8	2-3/4	1.394	3/8	UE205-16MZ20	MP205	2.06
1-3/16	UEMP206-19MZ20	461.25	1-11/16	6-1/2	4-7/16	5-1/16	1-7/8	21/32	13/16	23/32	3-9/32	1.567	1/2	UE206-19MZ20	MP206	3.22
1-1/4	UEMP206-20MZ20													UE206-20MZ20		3.16
1-1/4	UEMP207-20MZ20	528.85	1-7/8	6-9/16	4-11/16	5-5/16	1-7/8	21/32	13/16	3/4	3-11/16	1.728	1/2	UE207-20MZ20	MP207	4.36
1-7/16	UEMP207-23MZ20													UE207-23MZ20		4.20
1-1/2	UEMP208-24MZ20	638.80	1-15/16	7-1/4	4-7/8	5-7/8	2-1/8	21/32	1	3/4	3-15/16	1.976	1/2	UE208-24MZ20	MP208	5.40
1-11/16	UEMP209-27MZ20	665.85	2-1/8	7-1/2	5-3/8	6-1/8	2-1/8	21/32	7/8	25/32	4-1/4	1.976	1/2	UE209-27MZ20	MP209	6.18
1-15/16	UEMP210-31MZ20	710.75	2-1/4	8-1/8	5-7/8	6-5/8	2-3/8	25/32	1	7/8	4-1/2	2.071	5/8	UE210-31MZ20	MP210	7.58
2	UEMP211-32MZ20	875.00	2-1/2	8-5/8	6-3/8	7-1/8	2-3/8	25/32	1	7/8	4-31/32	2.228	5/8	UE211-32MZ20	MP211	9.2
2-7/16	UEMP212-39MZ20	978.75	2-3/4	9-1/2	6-7/8	7-5/8	2-3/4	25/32	1	1	5-7/16	2.622	5/8	UE212-39MZ20	MP212	12.56

NOTE: Lubrication fitting Tap Size for 1" and smaller shaft sizes, 1/4-28 UNF; for all other sizes, 1/8-27 NPT

INTERCHANGES: P2B-DLEZ-100SHCR CRPS-PN16T

CHOICE PLUS



Shaft Dia. (in.)	AMI Unit #	List Price	Dimensions (in.)							Bolt Holes (UNC Thread) T	Bearing #	Housing #	Weight (lb.)
			H	A	E	C	N	W	U				
3/4	UEMTB204-12MZ20	353.40	1-5/16	2-7/8	2	1-1/2	1/2	2-9/16	1.299	3/8-16	UE204-12MZ20	MTB204	1.58
1	UEMTB205-16MZ20	411.05	1-7/16	3	2	1-1/2	1/2	2-13/16	1.394	3/8-16	UE205-16MZ20	MTB205	1.76
1-3/16	UEMTB206-19MZ20	461.25	1-11/16	4	3	1-1/2	5/8	3-3/8	1.567	7/16-14	UE206-19MZ20	MTB206	2.90
1-1/4	UEMTB206-20MZ20										UE206-20MZ20		2.84
1-1/4	UEMTB207-20MZ20	528.85	1-7/8	4-1/4	3-1/4	1-7/8	3/4	3-3/4	1.728	1/2-13	UE207-20MZ20	MTB207	4.10
1-7/16	UEMTB207-23MZ20										UE207-23MZ20		3.94
1-1/2	UEMTB208-24MZ20	638.80	1-15/16	4-5/8	3-1/2	1-7/8	3/4	3-15/16	1.976	1/2-13	UE208-24MZ20	MTB208	4.40

NOTE: Lubrication fitting Tap Size for 1" and smaller shaft sizes, 1/4-28 UNF; for all other sizes, 1/8-27 NPT

INTERCHANGES: AMI EXCLUSIVE

CHOICE PLUS