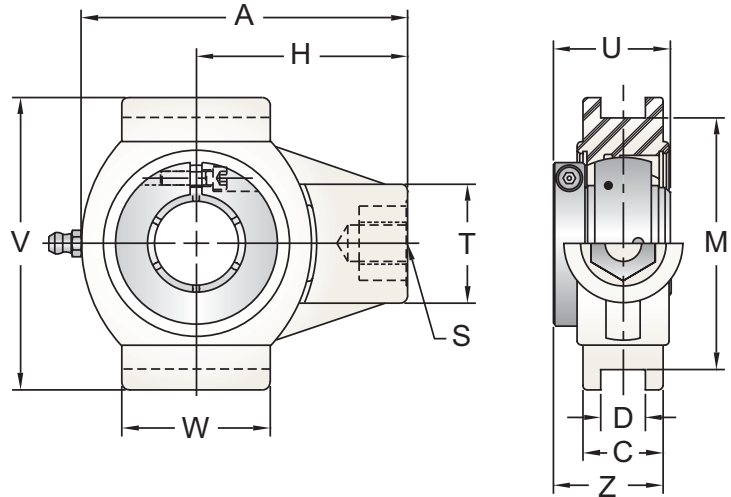


CHOICE EXTRA

Shaft Dia. (in.)	AMI Unit #	List Price	Dimensions (in.)							Bolt Size (in.)	Bearing #	Housing #	Weight (lb.)
			A	E	G	X	S	Z	U				
3/4	UEFPL204-12MZ20	275.45	3-3/8	2-1/2	17/32	1-3/32	7/16	1-33/64	1.299	3/8	UE204-12MZ20	FPL204	0.80
1	UEFPL205-16MZ20	307.25	3-3/4	2-3/4	9/16	1-7/64	7/16	1-1/2	1.394	3/8	UE205-16MZ20	FPL205	0.90
1-3/16	UEFPL206-19MZ20	365.25	4-1/4	3-1/4	9/16	1-1/4	7/16	1-45/64	1.567	3/8	UE206-19MZ20	FPL206	1.30
1-1/4	UEFPL206-20MZ20										UE206-20MZ20	FPL206	1.24
1-1/4	UEFPL207-20MZ20	425.10	4-5/8	3-5/8	39/64	1-3/8	33/64	1-57/64	1.728	1/2	UE207-20MZ20	FPL207	1.98
1-7/16	UEFPL207-23MZ20										UE207-23MZ20	FPL207	1.82
1-1/2	UEFPL208-24MZ20	469.35	5-1/8	4	43/64	1-15/32	35/64	2-9/64	1.976	1/2	UE208-24MZ20	FPL208	2.52
1-11/16	UEFPL209-27MZ20	500.10	5-3/8	4-1/8	3/4	1-39/64	43/64	2-11/64	1.976	5/8	UE209-27MZ20	FPL209	2.86
1-15/16	UEFPL210-31MZ20	528.90	5-5/8	4-3/8	53/64	1-11/16	43/64	2-5/16	2.071	5/8	UE210-31MZ20	FPL210	3.34

NOTE: For Thermoplastic units please specify one of the following suffixes after the part number: "W" for a white housing or "B" for a black housing. Lubrication fitting Tap Size 1/4-28 UNF

INTERCHANGES: F4B-DLEZ-100PCR CRFC-PN16T



Shaft Dia. (in.)	AMI Unit #	List Price	Dimensions (in.)											Bearing #	Housing #	Weight (lb.)
			A	C	D	H	M	T	V	W	Z	U	S			
3/4	UETPL204-12MZ20	319.85	3-57/64	61/64	15/32	2-33/64	3	1-27/64	3-31/64	1-49/64	1-9/32	1.299	1/2-13UNC	UE204-12MZ20	TPL204	0.90
	UETPL205-16MZ20	367.75	3-57/64	61/64	15/32	2-33/64	3	1-27/64	3-31/64	1-49/64	1-5/16	1.394	1/2-13UNC	UE205-16MZ20	TPL205	0.94
1-3/16	UETPL206-19MZ20	395.55	4-59/64	1-11/64	15/32	3	3-1/2	1-37/64	4-1/64	2-7/16	1-17/32	1.567	5/8-11UNC	UE206-19MZ20	TPL206	1.56
1-1/4	UETPL206-20MZ20													UE206-20MZ20		1.50
1-1/4	UETPL207-20MZ20	461.80	4-59/64	1-11/64	15/32	3	3-1/2	1-37/64	4-1/64	2-7/16	1-5/8	1.728	5/8-11UNC	UE207-20MZ20	TPL207	1.96
1-7/16	UETPL207-23MZ20													UE207-23MZ20		1.80
1-1/2	UETPL208-24MZ20	483.65	5-33/64	1-17/64	5/8	3-11/32	4-1/64	1-37/64	4-31/64	3-7/64	1-55/64	1.976	5/8-11UNC	UE208-24MZ20	TPL208	2.46

NOTE: For Thermoplastic units please specify one of the following suffixes after the part number: "W" for a white housing or "B" for a black housing. Lubrication fitting Tap Size 1/4-28 UNF

INTERCHANGES: AMI EXCLUSIVE