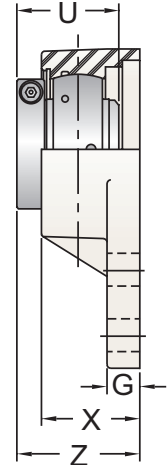
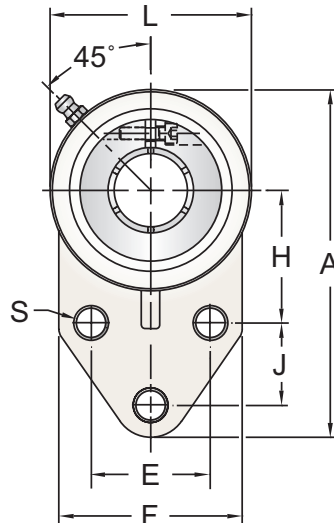


CHOICE EXTRA

Shaft Dia. (in.)	AMI Unit #	List Price	Dimensions (in.)								Bolt Size (in.)	Bearing #	Housing #	Weight (lb.)
			A	E	G	X	S	L	Z	U				
3/4	UENFL204-12MZ20	275.45	4-7/16	3-35/64	29/64	1-3/64	7/16	2-1/2	1-13/32	1.299	3/8	UE204-12MZ20	NFL204	0.68
1	UENFL205-16MZ20	307.25	5-1/8	3-57/64	17/32	1-9/64	7/16	2-3/4	1-1/2	1.394	3/8	UE205-16MZ20	NFL205	0.80
1-3/16	UENFL206-19MZ20	365.25	5-13/16	4-39/64	33/64	1-13/64	7/16	3-5/32	1-11/16	1.567	3/8	UE206-19MZ20	NFL206	1.14
1-1/4	UENFL206-20MZ20											UE206-20MZ20	1.08	
1-1/4	UENFL207-20MZ20	425.10	6-7/16	5-1/8	41/64	1-19/64	33/64	3-35/64	1-3/4	1.728	1/2	UE207-20MZ20	NFL207	1.76
1-7/16	UENFL207-23MZ20											UE207-23MZ20	1.60	
1-1/2	UENFL208-24MZ20	469.35	6-7/8	5-43/64	25/32	1-31/64	35/64	3-15/16	2-5/64	1.976	1/2	UE208-24MZ20	NFL208	2.28
1-11/16	UENFL209-27MZ20	500.10	7-7/16	5-27/32	53/64	1-39/64	43/64	4-1/4	2-11/64	1.976	5/8	UE209-27MZ20	NFL209	2.58
1-15/16	UENFL210-31MZ20	528.90	7-3/4	6-3/16	53/64	1-11/16	43/64	4-17/32	2-5/16	2.071	5/8	UE210-31MZ20	NFL210	3.00

NOTE: For Thermoplastic units please specify one of the following suffixes after the part number: "W" for a white housing or "B" for a black housing. Lubrication fitting Tap Size 1/4-28 UNF

INTERCHANGES: F2B-DLEZ-100PCR CRFTC-PN16T



Shaft Dia. (in.)	AMI Unit #	List Price	Dimensions (in.)											Bolt Size (in.)	Bearing #	Housing #	Weight (lb.)
			A	H	E	J	G	X	S	L	F	Z	U				
3/4	UEFBL204-12MZ20	265.15	4-1/4	1-11/16	1-1/2	7/8	29/64	1	27/64	2-1/2	2-7/16	1-13/32	1.299	3/8	UE204-12MZ20	FBL204	0.70
	UEFBL205-16MZ20	282.25	4-3/4	1-13/16	1-5/8	1-1/8	29/64	1-11/32	27/64	2-3/4	2-1/2	1-43/64	1.394	3/8	UE205-16MZ20	FBL205	0.82
1-3/16	UEFBL206-19MZ20	369.35	5-29/64	2-1/16	1-7/8	1-1/4	33/64	1-1/4	27/64	3-1/4	3	1-45/64	1.567	3/8	UE206-19MZ20	FBL206	1.24
1-1/4	UEFBL206-20MZ20														UE206-20MZ20		1.18
1-1/4	UEFBL207-20MZ20	395.60	6-3/16	2-3/8	2	1-1/4	41/64	1-7/16	33/64	3-3/4	3-1/2	1-57/64	1.728	1/2	UE207-20MZ20	FBL207	1.92
1-7/16	UEFBL207-23MZ20														UE207-23MZ20		1.76

NOTE: For Thermoplastic units please specify one of the following suffixes after the part number: "W" for a white housing or "B" for a black housing. Lubrication fitting Tap Size 1/4-28 UNF

INTERCHANGES: FB-DLEZ-100-PCR