

Shaft Dia. (in.)	AMI Unit #	List Price	Dimensions (in.)											Bolt Size (in.)	Bearing #	Housing #	Weight (lb.)	
			A	H	E	J	G	X	S	L	F	Z	B					
1/2	UCFBL201-8MZ2	111.40	4-1/4	1-11/16	1-1/2	7/8	29/64	1	27/64	2-1/2	2-7/16	1-21/64	1.220	3/8	UC201-8MZ2	FBL204	0.64	
5/8	UCFBL202-10MZ2														UC202-10MZ2		0.60	
3/4	UCFBL204-12MZ2														UC204-12MZ2		0.56	
7/8	UCFBL205-14MZ2	153.25	4-3/4	1-13/16	1-5/8	1-1/8	29/64	1-11/32	27/64	2-3/4	2-1/2	1-5/8	1.339	3/8	UC205-14MZ2	FBL205	0.76	
1	UCFBL205-16MZ2														UC205-16MZ2		0.68	
1-1/16	UCFBL206-17MZ2	183.60	5-29/64	2-1/16	1-7/8	1-1/4	33/64	1-1/4	27/64	3-1/4	3	1-41/64	1.500	3/8	UC206-17MZ2	FBL206	1.16	
1-1/8	UCFBL206-18MZ2														UC206-18MZ2		1.10	
1-3/16	UCFBL206-19MZ2														UC206-19MZ2		1.06	
1-1/4	UCFBL206-20MZ2														UC206-20MZ2		1.02	
1-1/4	UCFBL207-20MZ2														UC207-20MZ2		1.72	
1-5/16	UCFBL207-21MZ2	203.35	6-3/16	2-3/8	2	1-1/4	41/64	1-7/16	33/64	3-3/4	3-1/2	1-55/64	1.689	1/2	UC207-21MZ2	FBL207	1.66	
1-3/8	UCFBL207-22MZ2														UC207-22MZ2		1.60	
1-7/16	UCFBL207-23MZ2														UC207-23MZ2		1.52	
Dimensions (mm)																		
15	UCFBL202MZ2	111.40	108	42.9	38.1	22.2	11.4	25.4	10.7	63.5	62	33.7	31	M10	UC202MZ2	FBL204	0.62	
17	UCFBL203MZ2														UC203MZ2		0.60	
20	UCFBL204MZ2	111.40	108	42.9	38.1	22.2	11.4	25.4	10.7	63.5	62	33.7	31	M10	UC204MZ2	FBL204	0.54	
25	UCFBL205MZ2	153.25	120.6	46	41.3	28.6	11.4	34	10.7	70	63.5	41.2	34		UC205MZ2	FBL205	0.70	
30	UCFBL206MZ2	183.60	138.5	52.4	47.6	31.8	13.3	31.8	10.7	83	76	41.5	38.1		UC206MZ2	FBL206	1.06	
35	UCFBL207MZ2	203.35	157	60.3	50.8	31.8	16.1	36.5	13.1	95	89	47.1	42.9	M12	UC207MZ2	FBL207	1.60	

NOTE: For Thermoplastic units please specify one of the following suffixes after the part number: "W" for a white housing or "B" for a black housing. Lubrication fitting Tap Size 1/4-28 UNF

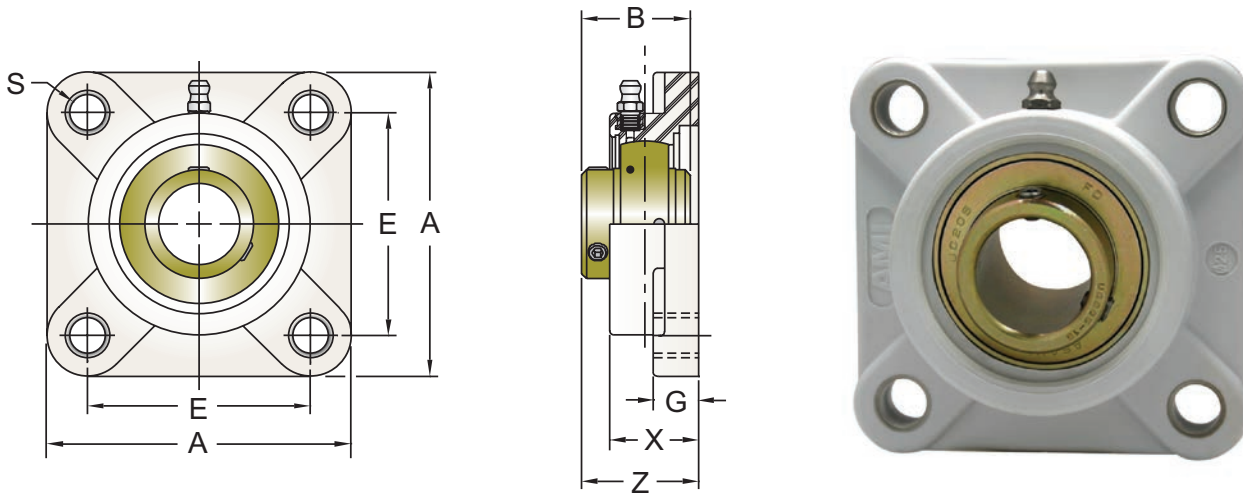
INTERCHANGES: CBF100ZMG

FOUR-BOLT FLANGE UNITS

Zinc Insert detail-pg. 85 • RF Patent Seal-pg. 92 • Shur-Seal-pg. 56

UCFPL 200MZ2

SELECT PLUS



Shaft Dia. (in.)	AMI Unit #	List Price	Dimensions (in.)							Bolt Size (in.)	Bearing #	Housing #	Weight (lb.)
			A	E	G	X	S	Z	B				
1/2	UCFPL201-8MZ2	101.10	3-3/8	2-1/2	17/32	1-3/32	7/16	1-27/64	1.220	3/8	UC201-8MZ2	FPL204	0.74
5/8	UCFPL202-10MZ2										UC202-10MZ2		0.70
3/4	UCFPL204-12MZ2										UC204-12MZ2		0.66
7/8	UCFPL205-14MZ2	109.40	3-3/4	2-3/4	9/16	1-7/64	7/16	1-29/64	1.339	3/8	UC205-14MZ2	FPL205	0.84
1	UCFPL205-16MZ2										UC205-16MZ2		0.76
1-1/16	UCFPL206-17MZ2	126.30	4-1/4	3-1/4	9/16	1-1/4	7/16	1-5/8	1.500	3/8	UC206-17MZ2	FPL206	1.22
1-1/8	UCFPL206-18MZ2										UC206-18MZ2		1.16
1-3/16	UCFPL206-19MZ2										UC206-19MZ2		1.12
1-1/4	UCFPL206-20MZ2										UC206-20MZ2		1.08
1-1/4	UCFPL207-20MZ2										UC207-20MZ2		1.78
1-5/16	UCFPL207-21MZ2	145.20	4-5/8	3-5/8	39/64	1-3/8	33/64	1-27/32	1.689	1/2	UC207-21MZ2	FPL207	1.72
1-3/8	UCFPL207-22MZ2										UC207-22MZ2		1.66
1-7/16	UCFPL207-23MZ2										UC207-23MZ2		1.58
1-1/2	UCFPL208-24MZ2										UC208-24MZ2		2.28
1-11/16	UCFPL209-27MZ2	193.30	5-3/8	4-1/8	3/4	1-39/64	43/64	2-9/64	1.937	5/8	UC209-27MZ2	FPL209	2.56
1-3/4	UCFPL209-28MZ2										UC209-28MZ2		2.48
1-7/8	UCFPL210-30MZ2	230.00	5-5/8	4-3/8	53/64	1-11/16	43/64	2-17/64	2.031	5/8	UC210-30MZ2	FPL210	3.00
1-15/16	UCFPL210-31MZ2										UC210-31MZ2		2.90
2	UCFPL210-32MZ2										UC210-32MZ2		2.80
Dimensions (mm)													
15	UCFPL202MZ2	101.10	86	63.5	13.4	27.8	11	36.3	31	M10	UC202MZ2	FPL204	0.72
17	UCFPL203MZ2										UC203MZ2		0.70
20	UCFPL204MZ2	101.10	86	63.5	13.4	27.8	11	36.3	31	M10	UC204MZ2	FPL204	0.64
25	UCFPL205MZ2										UC205MZ2		0.78
30	UCFPL206MZ2										UC206MZ2		1.12
35	UCFPL207MZ2	145.20	118	92	15.5	34.8	13	46.9	42.9	M12	UC207MZ2	FPL207	1.66
40	UCFPL208MZ2	177.60	130	102	17	37.5	14	53.2	49.2	M12	UC208MZ2	FPL208	2.18
45	UCFPL209MZ2	193.30	137	105	19	41	17	54.2	49.2	M16	UC209MZ2	FPL209	2.44
50	UCFPL210MZ2	230.00	143	111	21	43	17	57.6	51.6	M16	UC210MZ2	FPL210	2.86

NOTE: For Thermoplastic units please specify one of the following suffixes after the part number: "W" for a white housing or "B" for a black housing. Lubrication fitting Tap Size 1/4-28 UNF

INTERCHANGES: **CF4S-Z216** **C4F100ZMG**