


**WD Bearings America LLC**

5845 W 82nd Street, Suite 102,  
Indianapolis, IN 46278.

Tel: [+1 317 661 3293](tel:+13176613293)

Email: [Contact@wd-bearing.com](mailto:Contact@wd-bearing.com)

**WD Waelzlager GmbH**

Ost Strasse 74A 40724,  
Hilden, Germany

Tel: [+49 2103 968 6352](tel:+4921039686352)

Email: [Contact@wd-bearing.com](mailto:Contact@wd-bearing.com)

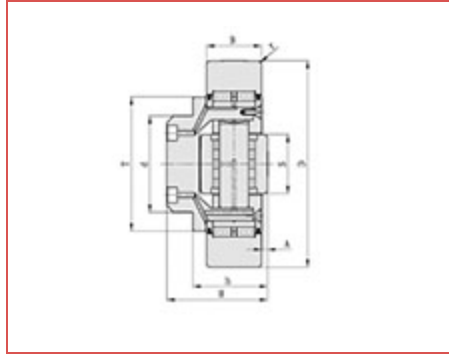
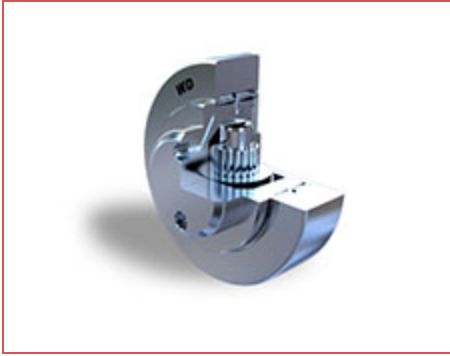
**WD Bearing Group**

No. 100, Zhenyang Road,  
Jiangyin, Wuxi, P.R China, 214401


Tel: [0510-8655 7067](tel:051086557067)

Fax: 0510-8655 7065

Email: [Contact@wd-bearing.com](mailto:Contact@wd-bearing.com)

**ADJUSTABLE HEAVY DUTY COMBINED ROLLER BEARINGS**


Item #	Bore Diameter	Outside Diameter	Overall Bearing Width	Dynamic (Ca) Basic Load Rating	CA
<a href="#">WD089</a>	80 mm	165 mm	40 mm	85 kN	
<a href="#">WD090</a>	100 mm	190 mm	48 mm	100 kN	
<a href="#">WD091</a>	110 mm	220 mm	58 mm	138 kN	
<a href="#">WD092</a>	120 mm	250 mm	60 mm	138 kN	
<a href="#">WD093</a>	150 mm	280 mm	72 mm	182 kN	
<a href="#">WD094</a>	150 mm	320 mm	85 mm	210 kN	
<a href="#">WD069-170</a>	70 mm	170 mm	51 mm	83 kN	
<a href="#">WD087-185</a>	80 mm	185 mm	47 mm	83 kN	
<a href="#">WD019-220</a>	110 mm	220 mm	60 mm	103 kN	

Item #	Bore Diameter	Outside Diameter	Overall Bearing Width	Dynamic (Ca) Basic Load Rating	CA
<a href="#">WD038-260</a>	130 mm	260 mm	60 mm	167 kN	
<a href="#">WD274-260</a>	150 mm	260 mm	80 mm	167 kN	
<a href="#">WD088-300</a>	140 mm	300 mm	80 mm	195 kN	
<a href="#">WD278-315</a>	140 mm	315 mm	89 mm	227 kN	
<a href="#">WD084-340</a>	140 mm	340 mm	89 mm	227 kN	
<a href="#">WD275-390</a>	170 mm	390 mm	118 mm	227 kN	

