

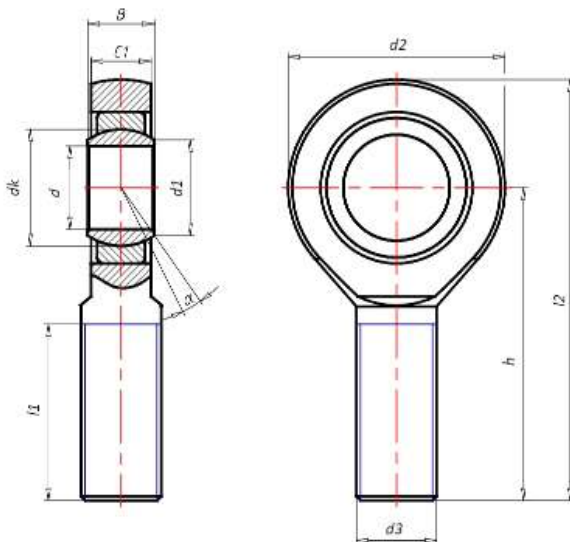


🏠 > Products > Rod ends > GAR-DO: Rod ends dimension series E, male ... > GAL 45-DO

GAL 45-DO

Please read our [terms of use](#).

Specification



Measurement

d (mm):	d3 (mm):	B (mm):	C1 max. (mm):	d1 ~ (mm):	d2 max. (mm):	dk (mm):	h (mm):	l1 min. (mm):
45	M42x3	32	28	50	104	60	163	92

l2 max. (mm):	Load rating static C0 (kN):	Tilt angle alpha (°):	Weight (kg):
217	240	7	2,57

Product series:

Dimension series:

GAR-DO: Rod ends dimension series E, male thread, maintenance required Dimension series E

Bearing:

Sealing:

Maintenance/Friction pairing:

Metric thread:

Material:

Plain bearing Without seal Maintenance required steel/steel Male left hand thread Standard

ARTNR:

900164

Description

Inner ring: Antifriction bearing steel, hardened, ground.

Outer ring: Antifriction bearing steel, hardened, ground. Outer ring is split for assembly of inner ring.

Housing: Made of steel, galvanized and chromated. The spherical bearing is pressed into the housing and caulked at both sides.

Lubrication nipple: with lubricating nipple DIN 3405 shape D.

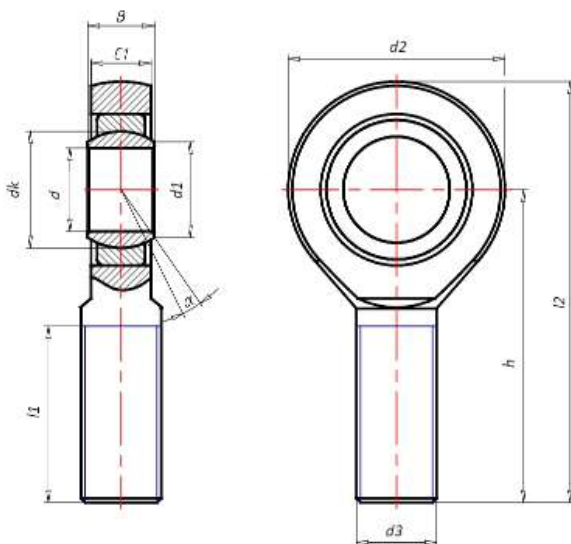


Home > Products > Rod ends > GAR-DO: Rod ends dimension series E, male ... > GAR 45-DO

GAR 45-DO

Please read our [terms of use](#).

Specification



Measurement

d (mm):	d3 (mm):	B (mm):	C1 max. (mm):	d1 ~ (mm):	d2 max. (mm):	dk (mm):	h (mm):	l1 min. (mm):
45	M42x3	32	28	50	104	60	163	92

l2 max. (mm):	Load rating static C0 (kN):	Tilt angle alpha (°):	Weight (kg):
217	240	7	2,57

Product series:

Dimension series:

GAR-DO: Rod ends dimension series E, male thread, maintenance required Dimension series E

Bearing:	Sealing:	Maintenance/Friction pairing:	Metric thread:	Material:
Plain bearing	Without seal	Maintenance required steel/steel	Male right hand thread	Standard

ARTNR:

900163

Description

Inner ring: Antifriction bearing steel, hardened, ground.

Outer ring: Antifriction bearing steel, hardened, ground. Outer ring is split for assembly of inner ring.

Housing: Made of steel, galvanized and chromated. The spherical bearing is pressed into the housing and caulked at both sides.

Lubrication nipple: with lubricating nipple DIN 3405 shape D.

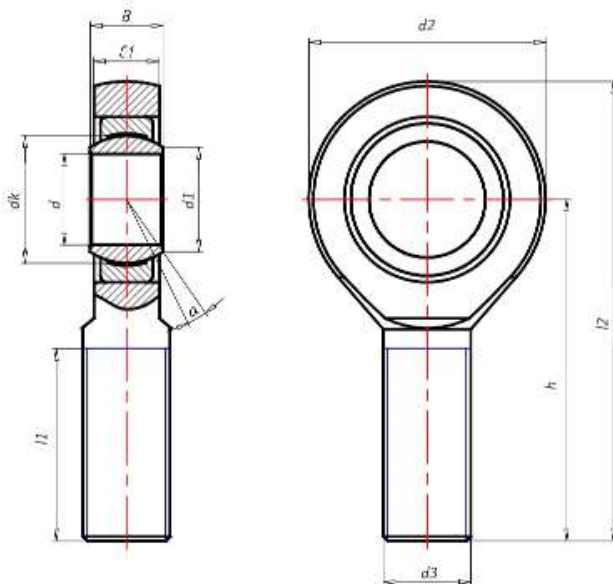


🏠 > Products > Rod ends > GAR-UK: Rod ends dimension series E, male ... > GAL 45-UK2RS

GAL 45-UK2RS

Please read our [terms of use](#).

Specification



Measurement

d (mm):	d3 (mm):	B (mm):	C1 max. (mm):	d1 ~ (mm):	d2 max. (mm):	dk (mm):	h (mm):	l1 min. (mm):
45	M42x3	32	28	50	104	60	163	92

l2 max. (mm):	Load rating static C0 (kN):	Tilt angle alpha (°):	Weight (kg):
217	240	7	2,5

Product series:

Dimension series:

GAR-UK: Rod ends dimension series E, male thread, maintenance free Dimension series E

Bearing:	Sealing:	Maintenance/Friction pairing:	Metric thread:	Material:
Plain bearing	2RS-Sealing	Maintenance free steel/PTFE	Male left hand thread	Standard

ARTNR:

900209

Description

Inner ring: Antifriction bearing steel, hardened, ground and polished; raceway hard chromium plated.

Outer ring: Free-cutting steel, lined with PTFE.

Housing: Made of steel, galvanized and chromated. The spherical bearing is pressed into the housing and caulked at both sides.

Sealing: Sealing rings at both sides.

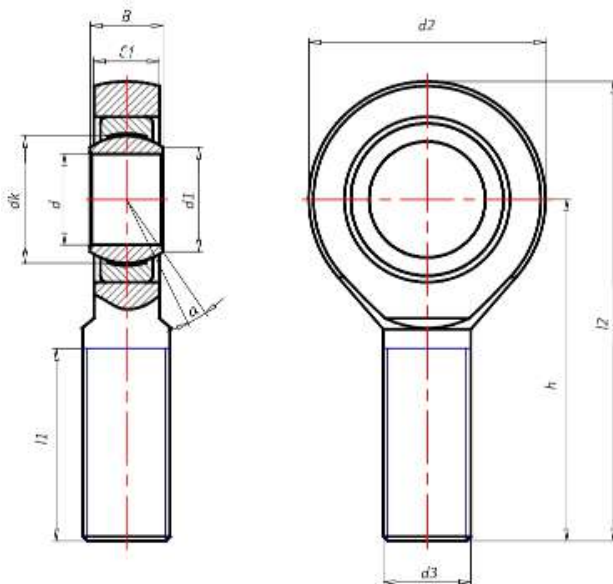


Home > Products > Rod ends > GAR-UK: Rod ends dimension series E, male ... > GAR 45-UK2RS

GAR 45-UK2RS

Please read our [terms of use](#).

Specification



Measurement

d (mm):	d3 (mm):	B (mm):	C1 max. (mm):	d1 ~ (mm):	d2 max. (mm):	dk (mm):	h (mm):	l1 min. (mm):
45	M42x3	32	28	50	104	60	163	92

l2 max. (mm):	Load rating static C0 (kN):	Tilt angle alpha (°):	Weight (kg):
217	240	7	2,5

Product series:

Dimension series:

GAR-UK: Rod ends dimension series E, male thread, maintenance free Dimension series E

Bearing:

Sealing:

Maintenance/Friction pairing:

Metric thread:

Material:

Plain bearing 2RS-Sealing Maintenance free steel/PTFE Male right hand thread Standard

ARTNR:

900208

Description

Inner ring: Antifriction bearing steel, hardened, ground and polished; raceway hard chromium plated.

Outer ring: Free-cutting steel, lined with PTFE.

Housing: Made of steel, galvanized and chromated. The spherical bearing is pressed into the housing and caulked at both sides.

Sealing: Sealing rings at both sides.

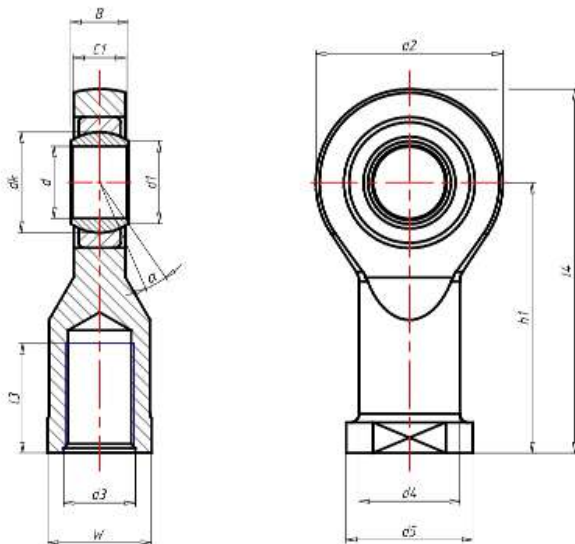


🏠 > Products > Rod ends > GIR-DO: Rod ends dimension series E, femal... > GIL 45-DO

GIL 45-DO

Please read our [terms of use](#).

Specification



Measurement

d (mm):	d3 (mm):	B (mm):	C1 (mm):	d1 ~ (mm):	d2 max. (mm):	d4 ~ (mm):	d5 max. (mm):	dk (mm):	h1 (mm):
45	M42x3	32	28	50	104	58	72	60	145

l3 min. (mm):	l4 max. (mm):	W (mm):	Load rating static C0 (kN):	Tilt angle (°):	Weight (kg):
65	199	65	240	7	2,72

Product series:

Dimension series:

GIR-DO: Rod ends dimension series E, female thread, maintenance required Dimension series E

Bearing:

Sealing:

Maintenance/Friction pairing:

Metric thread:

Material:

Plain bearing Without seal Maintenance required steel/steel Female left hand thread Standard

ARTNR:

900148

Description

Inner ring: Antifriction bearing steel, hardened, ground.

Outer ring: Antifriction bearing steel, hardened, ground. Outer ring is split for assembly of inner ring.

Housing: Made of steel, galvanized and chromated. The spherical bearing is pressed into the housing and caulked at both sides.

Lubrication nipple: with lubricating nipple DIN 3405 shape D.

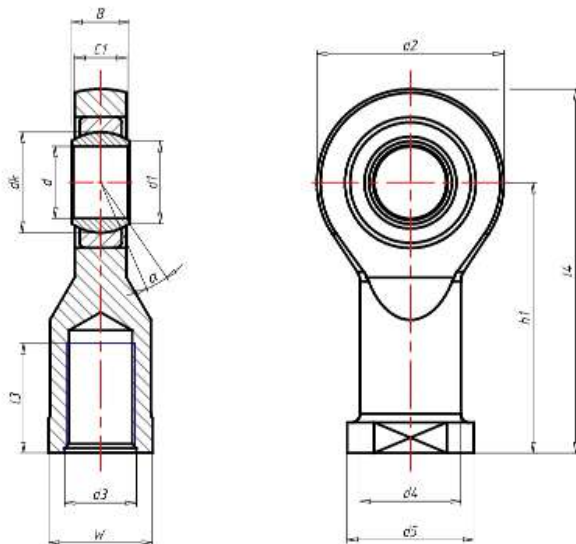


Home > Products > Rod ends > GIR-DO: Rod ends dimension series E, female... > GIR 40-DO

GIR 40-DO

Please read our [terms of use](#).

Specification



Measurement

d (mm):	d3 (mm):	B (mm):	C1 (mm):	d1 ~ (mm):	d2 max. (mm):	d4 ~ (mm):	d5 max. (mm):	dk (mm):	h1 (mm):
40	M39x3	28	24	45	94	52	67	53	142

I3 min. (mm):	I4 max. (mm):	W (mm):	Load rating static C0 (kN):	Tilt angle (°):	Weight (kg):
65	191	60	180	7	2,06

Product series:

Dimension series:

GIR-DO: Rod ends dimension series E, female thread, maintenance required Dimension series E

Bearing:

Sealing:

Maintenance/Friction pairing:

Metric thread:

Plain bearing Without seal Maintenance required steel/steel Female right hand thread

Material:

ARTNR:

Standard 900145

Description

Inner ring: Antifriction bearing steel, hardened, ground.

Outer ring: Antifriction bearing steel, hardened, ground. Outer ring is split for assembly of inner ring.

Housing: Made of steel, galvanized and chromated. The spherical bearing is pressed into the housing and caulked at both sides.

Lubrication nipple: with lubricating nipple DIN 3405 shape D.

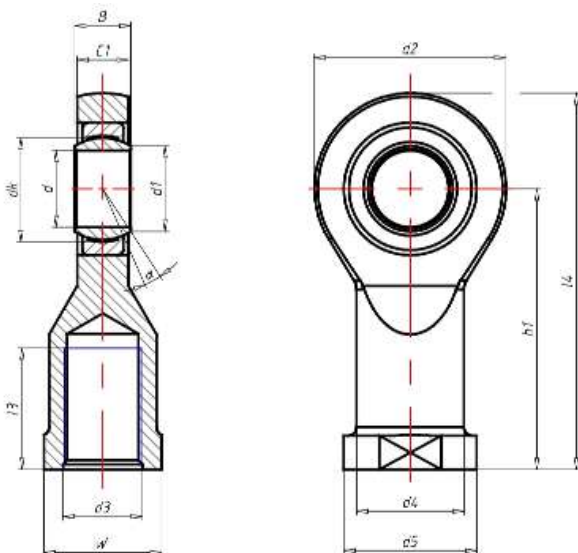


🏠 > Products > Rod ends > GIR-UK: Rod ends dimension series E, female... > GIL 45-UK2RS

GIL 45-UK2RS

Please read our [terms of use](#).

Specification



Measurement

d (mm):	d3 (mm):	B (mm):	C1 (mm):	d1 ~ (mm):	d2 max. (mm):	d4 ~ (mm):	d5 max. (mm):	dk (mm):	h1 (mm):
45	M42x3	32	28	50	104	58	72	60	145

l3 min. (mm):	l4 max. (mm):	W (mm):	load rating static C0 (kN):	Tilt angle (°):	Weight (kg):
65	199	65	240	7	2,7

Product series:

Dimension series:

GIR-UK: Rod ends dimension series E, female thread, maintenance free Dimension series E

Bearing:

Sealing:

Maintenance/Friction pairing:

Metric thread:

Material:

Plain bearing 2RS-Sealing Maintenance free steel/PTFE Female left hand thread Standard

ARTNR:

900187

Description

Inner ring: Antifriction bearing steel, hardened, ground and polished; raceway hard chromium plated.

Outer ring: Free-cutting steel, lined with PTFE.

Housing: Made of steel, galvanized and chromated. The spherical bearing is pressed into the housing and caulked at both sides.

Sealing: Sealing rings at both sides.

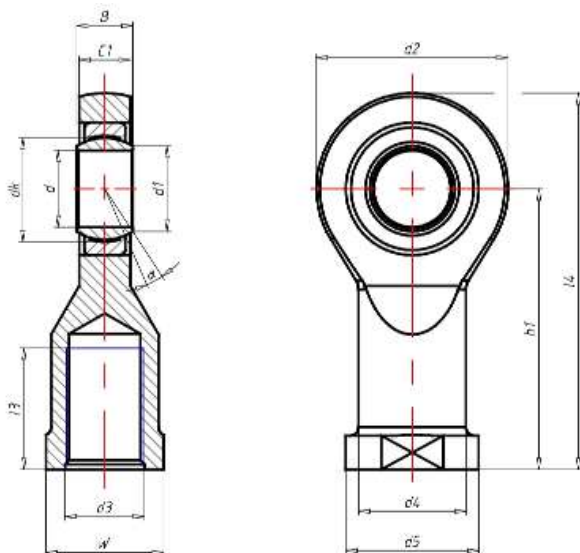


Home > Products > Rod ends > GIR-UK: Rod ends dimension series E, female... > GIR 45-UK2RS

GIR 45-UK2RS

Please read our [terms of use](#).

Specification



Measurement

d (mm):	d3 (mm):	B (mm):	C1 (mm):	d1 ~ (mm):	d2 max. (mm):	d4 ~ (mm):	d5 max. (mm):	dk (mm):	h1 (mm):
45	M42x3	32	28	50	104	58	72	60	145

I3 min. (mm):	I4 max. (mm):	W (mm):	load rating static C0 (kN):	Tilt angle (°):	Weight (kg):
65	199	65	240	7	2,7

Product series:

Dimension series:

GIR-UK: Rod ends dimension series E, female thread, maintenance free Dimension series E

Bearing:

Sealing:

Maintenance/Friction pairing:

Metric thread:

Material:

Plain bearing Without seal Maintenance free steel/PTFE Female right hand thread Standard

ARTNR:

900186

Description

Inner ring: Antifriction bearing steel, hardened, ground and polished; raceway hard chromium plated.

Outer ring: Free-cutting steel, lined with PTFE.

Housing: Made of steel, galvanized and chromated. The spherical bearing is pressed into the housing and caulked at both sides.

Sealing: Sealing rings at both sides.

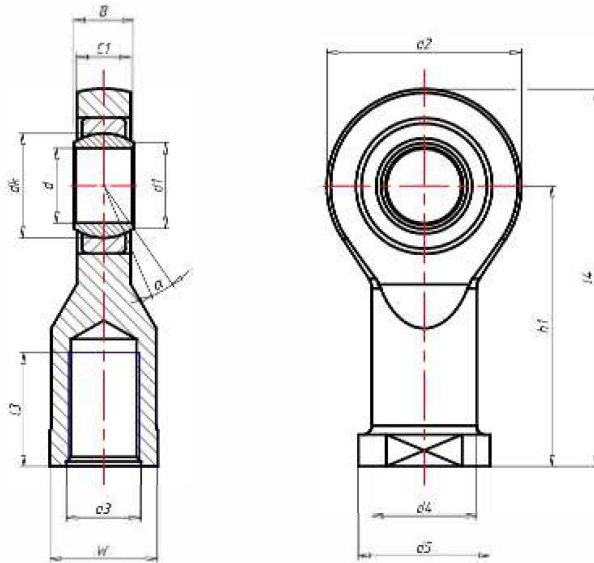


🏠 > Products > Rod ends > GIR-DO: Rod ends dimension series E, femal... > GIR 45-DO

GIR 45-DO

Please read our [terms of use](#).

Specification



Measurement

d (mm):	d3 (mm):	B (mm):	C1 (mm):	d1 ~ (mm):	d2 max. (mm):	d4 ~ (mm):	d5 max. (mm):	dk (mm):	h1 (mm):
45	M42x3	32	28	50	104	58	72	60	145

I3 min. (mm):	I4 max. (mm):	W (mm):	Load rating static C0 (kN):	Tilt angle (°):	Weight (kg):
65	199	65	240	7	2,72

Product series:

Dimension series:

GIR-DO: Rod ends dimension series E, female thread, maintenance required Dimension series E

Bearing:

Sealing:

Maintenance/Friction pairing:

Metric thread:

Material:

Plain bearing

Without seal

Maintenance required steel/steel

Female right hand thread

Standard

ARTNR:

900147

Description

Inner ring: Antifriction bearing steel, hardened, ground.

Outer ring: Antifriction bearing steel, hardened, ground. Outer ring is split for assembly of inner ring.

Housing: Made of steel, galvanized and chromated. The spherical bearing is pressed into the housing and caulked at both sides.

Lubrication nipple: with lubricating nipple DIN 3405 shape D.
