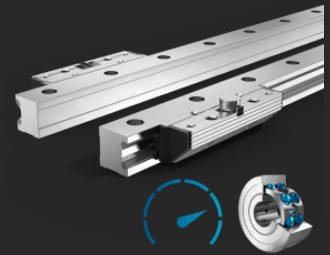


Linear Guides Type FDH-R

Pair of single rails and Pair of Roller Shoes

Highly dynamic



Aluminum roller guides of type FDH convince with their particularly quick response and smooth running even at high acceleration.

Description

Franke FDH linear guides are suitable for linear movement tasks, especially in dynamic pick-&-place applications. They have rollers with angular contact ball bearings for the highest acceleration and speed values, for example when using linear motors as the drive source. Rail elements can be manufactured in a length of 200 mm to 4000 mm and, on request, can also be linked endlessly.

Characteristics

Rollers	Angular contact ball bearings
Raceway	Spring steel, standard

Properties

Resilience	● ● ● ●
Dynamics	● ● ● ● ●
Corrosion resistant	● ●
Non magnetic	●
Lubricant free	●
Price	● ●

Technical data

Stroke length

One piece from 200 mm to 4000 mm, connectable on request

Material

Cassette plate, roller shoes,
Rail body: aluminum, anodized
Raceways: spring steel
Rollers: steel

Operating temperature

-20 °C to +80 °C

Maximum speed

10 m/s

Maximum acceleration

100 m/s²

Mounting position

Any

Lubricant

Lifetime-lubricated, maintenance-free

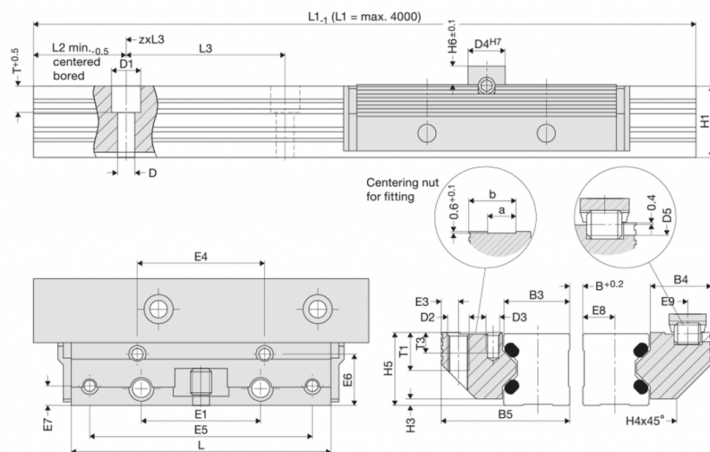
Linear Guides Type FDH-R

Pair of single rails and

Pair of Roller Shoes

Highly dynamic

Data tables



FDH-R

Size	Dimensions mm														
	L	B5	H5	B3	B4	D3	D	D1	D2	D4	D5	E1	E3	E4	E5
25	98	48,4	27,5	25,00	22,9	M 5	6,6	11	M 8	14	6	45	6,4	48	84
35	135	68,9	37,5	35,00	32,9	M 6	9,0	15	M 10	14	6	62	8,9	67	117
45	165	82,4	46,5	45,00	36,4	M 8	11,0	18	M 12	14	6	80	9,9	83	146

FDH-R

Size	Dimensions mm													
	E6	E7	E8	E9	H1	H3	H4	H6	L3	T	T3	a	b	
25	19,4	7,4	12,0	8,9	27,0	2,5	13,0	7	60	10,0	5,0	10,5	17,5	
35	28,4	8,9	17,0	8,9	37,0	3,5	20,0	7	80	11,5	8,5	12,5	26,0	
45	30,9	9,9	22,0	8,9	46,0	4,0	22,0	7	105	14,5	9,5	15,5	31,0	

Linear Guides Type FDH-R

Pair of single rails and Pair of Roller Shoes

Highly dynamic

Innovation in Motion



Basic load ratings, weight, length

Size	Load ratings N		Moment capacities pair of roller shoes Nm				Weight kg		Order no.
	C	C ₀	M _{0cx}	M _{cx}	M _{0cy} /M _{0cz}	M _{cy} /M _{cz}	PRS	Rail/m	
25	7500	3700	1,8 (B+58,4)	3,7 (B+58,4)	81	165	0,35	1,80	84367S
35	13400	8100	4,0 (B+85,0)	6,7 (B+85,0)	250	416	1,00	3,10	84368S
45	24300	14400	7,2 (B+109,0)	12,2 (B+109,0)	548	924	1,80	5,00	84369S

Contact

Franke GmbH
Obere Bahnstraße 64
73431 Aalen - Germany

Tel. +49 7361 920-0
Fax +49 7361 920-120
info@franke-gmbh.de

DIN EN ISO 9001 QM
DIN EN ISO 14001 QM

Created: 04.07.2025