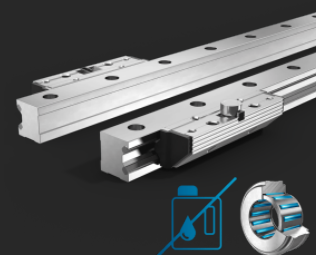


Linear Guides Type FDE-R

Pair of single rails and Pair of Roller Shoes

Lubricant free



Aluminum roller guides of type FDE are equipped with lubricant-free and needle-bearing rollers.

Description

Franke FDE linear guides are equipped with lubricant-free, high-quality needle bearings and are made almost entirely of lightweight aluminum. They are suitable for linear motion tasks in almost all industries, especially for use in food production or in clean rooms. Rail elements can be manufactured in a length of 200 mm to 4000 mm and, on request, can also be linked endlessly.

Characteristics

Rollers	Lubricant-free needle bearings
Raceway	Spring steel, standard

Properties

Resilience	●
Dynamics	● ●
Corrosion resistant	● ●
Non magnetic	● ●
Lubricant free	● ● ● ● ●
Price	● ● ●

Technical data

Stroke length

One piece from 200 mm to 4000 mm, connectable on request

Material

Cassette plate, roller shoes,
Rail body: aluminum, anodized
Raceways: spring steel
Rollers: bearing steel

Operating temperature

-20 °C to +80 °C

Maximum speed

1 m/s

Maximum acceleration

40 m/s²

Mounting position

Any

Lubricant

Lubricant free, maintenance free

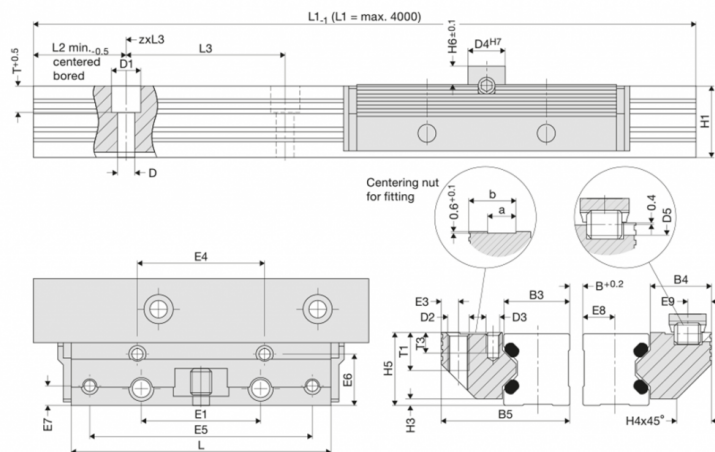
Linear Guides Type FDE-R

Pair of single rails and

Pair of Roller Shoes

Lubricant free

Data tables



FDE-R

Size	Dimensions mm														
	L	B5	H5	B3	B4	D3	D	D1	D2	D4	D5	E1	E3	E4	E5
12	64	24,4	15,0	12,00	11,9	M 3	3,4	6	M 4	8	3	25	3,4	29	57
15	78	30,9	19,0	15,25	15,2	M 4	4,5	8	M 5	10	4	30	4,4	34	68
20	92	40,9	23,0	20,00	20,4	M 5	5,5	10	M 6	10	4	40	4,9	42	80
25	98	48,4	27,5	25,00	22,9	M 5	6,6	11	M 8	14	6	45	6,4	48	84
35	135	68,9	37,5	35,00	32,9	M 6	9,0	15	M10	14	6	62	8,9	67	117
45	165	82,4	46,5	45,00	36,4	M 8	11,0	18	M12	14	6	80	9,9	83	146

FDE-R

Size	Dimensions mm													
	E6	E7	E8	E9	H1	H3	H4	H6	L3	T	T3	a	b	
12	9,7	3,4	5,5	4,9	14,7	1,4	5,5	4	40	5,5	6,0	4,5	9,5	
15	12,4	4,9	7,0	5,9	18,7	2,0	8,0	5	60	6,0	7,5	5,0	12,5	
20	16,9	5,9	9,5	5,9	22,6	2,0	11,0	5	60	8,0	8,0	7,5	16,0	
25	19,4	7,4	12,0	8,9	27,0	2,5	13,0	7	60	10,0	7,0	10,5	17,5	
35	28,4	8,9	17,0	8,9	37,0	3,5	20,0	7	80	11,5	8,5	12,5	26,0	
45	30,9	9,9	22,0	8,9	46,0	4,0	22,0	7	105	14,5	9,5	15,5	31,0	

Linear Guides Type FDE-R

Pair of single rails and

Pair of Roller Shoes

Lubricant free

Innovation in Motion



Basic load ratings, weight, length

Size	Load ratings N		Moment capacities pair of roller shoes Nm				Weight kg		Order no.
	C	C ₀	M _{0cx}	M _{cx}	M _{0cy} /M _{0cz}	M _{cy} /M _{cz}	PRS	Rail/m	
12	350	400	0,20 (B+30,3)	0,20 (B+30,3)	6	5	0,07	0,40	84495T
15	600	700	0,35 (B+36,5)	0,30 (B+36,5)	12	10	0,12	0,80	84395T
20	700	900	0,40 (B+47,0)	0,33 (B+47,0)	17	14	0,23	1,20	84442T
25	1200	1600	0,80 (B+58,4)	0,60 (B+58,4)	35	25	0,35	1,80	84367T
35	2000	2500	1,20 (B+85,0)	0,90 (B+85,0)	76	58	1,00	3,10	84368T
45	4400	5500	2,70 (B+109,0)	2,20 (B+109,0)	210	170	1,80	5,00	84369T

Contact

Franke GmbH
 Obere Bahnstraße 64
 73431 Aalen - Germany

Tel. +49 7361 920-0
 Fax +49 7361 920-120
 info@franke-gmbh.de

DIN EN ISO 9001 QM
 DIN EN ISO 14001 QM

Created: 04.07.2025