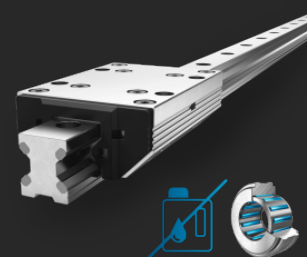


# Linear Guides Type FDE-K Double rail and Cassette Lubricant free



Aluminum roller guides of type FDE are equipped with lubricant-free and needle-bearing rollers.

## Description

Franke FDE linear guides are equipped with lubricant-free, high-quality needle bearings and are made almost entirely of lightweight aluminum. They are suitable for linear motion tasks in almost all industries, especially for use in food production or in clean rooms. Rail elements can be manufactured in a length of 200 mm to 4000 mm and, on request, can also be linked endlessly.

## Characteristics

<b>Rollers</b>	Lubricant-free needle bearings
<b>Raceway</b>	Spring steel, standard

## Properties

<b>Resilience</b>	●
<b>Dynamics</b>	● ●
<b>Corrosion resistant</b>	● ●
<b>Non magnetic</b>	● ●
<b>Lubricant free</b>	● ● ● ● ● ●
<b>Price</b>	● ● ●

## Technical data

### Stroke length

One piece from 200 mm to 4000 mm, connectable on request

### Material

Cassette plate, roller shoes,  
Rail body: aluminum, anodized  
Raceways: spring steel  
Rollers: bearing steel

### Operating temperature

-20 °C to +80 °C

### Maximum speed

1 m/s

### Maximum acceleration

40 m/s<sup>2</sup>

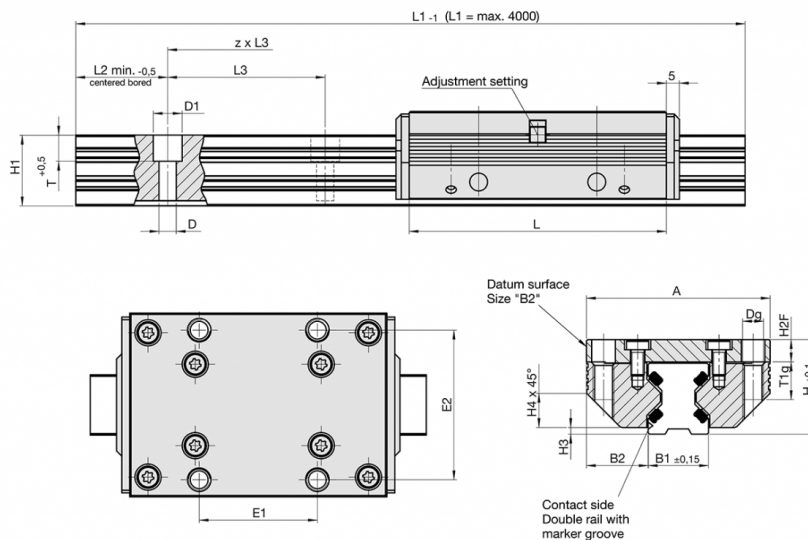
### Mounting position

Any

### Lubricant

Lubricant free, maintenance free

Data tables



FDE-K

Size	Dimensions mm									
	A	L	H	B1	B2	D	D1	Dg	E1	
12	37	64	19	12,00	12,50	3,4	6	M 4	25	
15	47	78	24	15,50	15,75	4,5	8	M 5	30	
20	63	92	30	21,00	21,00	5,5	10	M 6	40	
25	70	98	36	23,00	23,50	6,6	11	M 8	45	
35	100	135	48	32,00	34,00	9,0	15	M 10	62	
45	120	165	60	45,00	37,50	11,0	18	M 12	80	

FDE-K

Size	Dimensions mm									
	E2	H1	H2F	H3	H4	L2	L3	T	T1g	
12	30	14,7	4,0	1,4	5,5	10	40	5,5	8	
15	38	18,7	5,0	2,0	8,0	10	60	6,0	10	
20	53	22,6	7,0	2,0	11,0	10	60	8,0	12	
25	57	27,0	8,5	2,5	13,0	10	60	10,0	16	
35	82	37,0	10,5	3,5	20,0	12	80	11,5	20	
45	100	46,0	13,5	4,0	22,0	16	105	14,5	24	

# Linear Guides Type FDE-K

## Double rail and Cassette

### Lubricant free

Innovation in Motion



#### Basic load ratings, weight, length

Size	Load ratings N		Moment capacities cassette Nm				Weight kg		Order no.
	C	C <sub>0</sub>	M <sub>0cx</sub>	M <sub>cx</sub>	M <sub>0cy</sub> /M <sub>0cz</sub>	M <sub>cy</sub> /M <sub>cz</sub>	Cassette	Rail/m	
12	350	400	4,0	3,0	6,0	5,0	0,09	0,40	84494T
15	600	700	8,0	6,0	12,0	10,0	0,17	0,80	84396T
20	700	900	12,0	9,0	17,0	14,0	0,35	1,30	84441T
25	1200	1600	25,0	18,0	35,0	25,0	0,50	1,60	84363T
35	2000	2500	58,0	44,0	76,0	58,0	1,40	2,60	84364T
45	4400	5500	180,0	140,0	210,0	170,0	2,50	4,50	84365T

#### Contact

Franke GmbH  
 Obere Bahnstraße 64  
 73431 Aalen - Germany

Tel. +49 7361 920-0  
 Fax +49 7361 920-120  
 info@franke-gmbh.de

DIN EN ISO 9001 QM  
 DIN EN ISO 14001 QM

Created: 04.07.2025