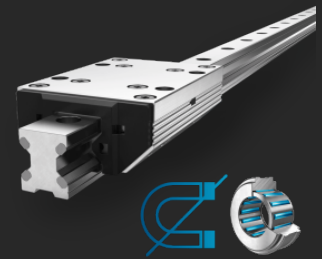


Linear Guides Type FDD-K Double rail and Cassette Non-magnetic



Aluminum roller guides of the type FDD in non-magnetic design convince by magnetic neutrality and by a light and quiet running.

Description

Franke FDD linear guides are suitable for linear motion tasks in almost all industries. Non-magnetic tracks without influencing the prevailing magnetic fields make them ideal components e.g. in medical technology or in electronics manufacturing. Rail elements can be manufactured in a length of 200 mm to 4000 mm and, on request, can also be linked endlessly.

Characteristics

Rollers	Needle bearing
Raceway	non-magnetic steel

Properties

Resilience	●
Dynamics	●●
Corrosion resistant	●●●●●
Non magnetic	●●●●●
Lubricant free	●
Price	●

Technical data

Stroke length

One piece from 200 mm to 4000 mm, connectable on request

Material

Cassette plate, roller shoes,
Rail body: aluminum, anodized
Raceways: non-magnetic steel
Rollers: non-magnetic bearing steel

Operating temperature

-20 °C to +80 °C

Maximum speed

1 m/s

Maximum acceleration

40 m/s²

Mounting position

Any

Lubricant

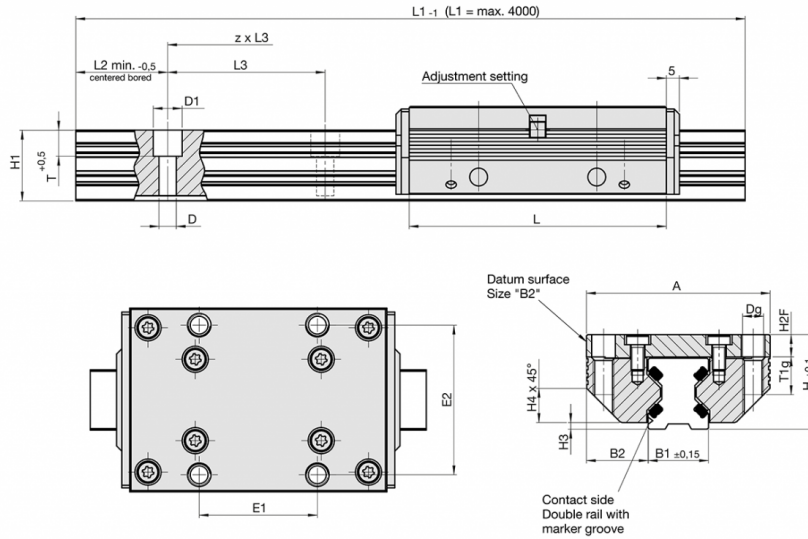
Lifetime-lubricated, maintenance-free

Linear Guides Type FDD-K

Double rail and Cassette

Non-magnetic

Data tables



FDD-K

Size	Dimensions mm								
	A	L	H	B1	B2	D	D1	Dg	E1
25	70	98	36	23,00	23,50	6,6	11	M 8	45

FDD-K

Size	Dimensions mm								
	E2	H1	H2F	H3	H4	L2	L3	T	T1g
25	57	27,0	8,5	2,5	13,0	10	60	10,0	16

Linear Guides Type FDD-K

Double rail and Cassette

Non-magnetic

Innovation in Motion



Basic load ratings, weight, length

Size	Load ratings N		Moment capacities cassette Nm				Weight kg		Order no.
	C	C ₀	M _{0cx}	M _{cx}	M _{0cy} /M _{0cz}	M _{cy} /M _{cz}	Cassette	Rail/m	
25	1200	1600	25,0	18,0	35,0	25,0	0,50	1,60	84363P

Contact

Franke GmbH
Obere Bahnstraße 64
73431 Aalen - Germany

Tel. +49 7361 920-0
Fax +49 7361 920-120
info@franke-gmbh.de

DIN EN ISO 9001 QM
DIN EN ISO 14001 QM

Created: 04.07.2025