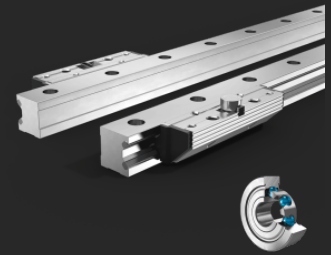


# Linear guides Type FDB-R

## Pair of single rails and Pair of Roller Shoes

### Low cost



Aluminum roller guides of type FDB are equipped with ball bearings and convince with a particularly low price.

### Description

Franke FDB linear guides are suitable for linear motion tasks in almost all industries. They are particularly convincing in cost-sensitive applications with reduced demands on load and noise. Rail elements can be manufactured in a length of 200 mm to 4000 mm and, on request, can also be linked endlessly.

### Characteristics

Rollers	Ball bearing
Raceway	Spring steel, standard

### Properties

Resilience	● ●
Dynamics	● ●
Corrosion resistant	● ● ●
Non magnetic	●
Lubricant free	●
Price	● ● ● ● ●

### Technical data

#### Stroke length

One piece from 200 mm to 4000 mm, connectable on request

#### Material

Cassette plate, roller shoes, rail body: aluminum, anodized  
Raceways: spring steel  
Rollers: bearing steel

#### Operating temperature

-20 °C to +80 °C

#### Maximum speed

10 m/s

#### Maximum acceleration

40 m/s<sup>2</sup>

#### Mounting position

Any

#### Lubricant

Lifetime-lubricated, maintenance-free

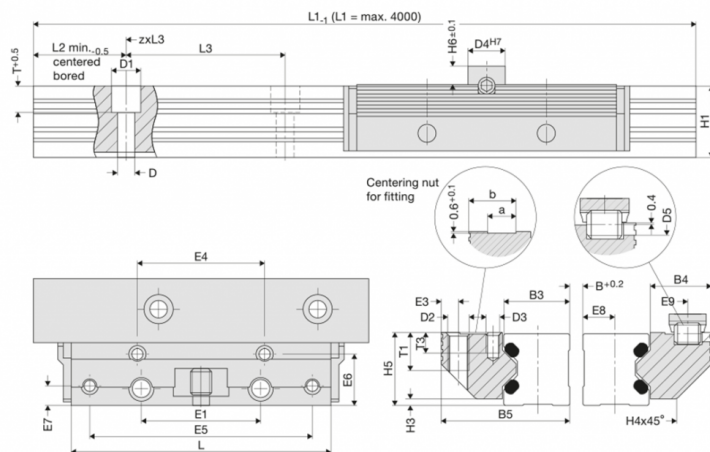
# Linear guides Type FDB-R

## Pair of single rails and

## Pair of Roller Shoes

### Low cost

### Data tables



### FDB-R

Size	Dimensions mm														
	L	B5	H5	B3	B4	D3	D	D1	D2	D4	D5	E1	E3	E4	E5
12	64	24,4	15,0	12,00	11,9	M 3	3,4	6	M 4	8	3	25	3,4	29	57
15	78	30,9	19,0	15,25	15,2	M 4	4,5	8	M 5	10	4	30	4,4	34	68
20	92	40,9	23,0	20,00	20,4	M 5	5,5	10	M 6	10	4	40	4,9	42	80
25	98	48,4	27,5	25,00	22,9	M 5	6,6	11	M 8	14	6	45	6,4	48	84
35	135	68,9	37,5	35,00	32,9	M 6	9,0	15	M10	14	6	62	8,9	67	117
45	165	82,4	46,5	45,00	36,4	M 8	11,0	18	M12	14	6	80	9,9	83	146

### FDB-R

Size	Dimensions mm													
	E6	E7	E8	E9	H1	H3	H4	H6	L3	T	T3	a	b	
12	9,7	3,4	5,5	4,9	14,7	1,4	5,5	4	40	5,5	6,0	4,5	9,5	
15	12,4	4,9	7,0	5,9	18,7	2,0	8,0	5	60	6,0	7,5	5,0	12,5	
20	16,9	5,9	9,5	5,9	22,6	2,0	11,0	5	60	8,0	8,0	7,5	16,0	
25	19,4	7,4	12,0	8,9	27,0	2,5	13,0	7	60	10,0	7,0	10,5	17,5	
35	28,4	8,9	17,0	8,9	37,0	3,5	20,0	7	80	11,5	8,5	12,5	26,0	
45	30,9	9,9	22,0	8,9	46,0	4,0	22,0	7	105	14,5	9,5	15,5	31,0	

# Linear guides Type FDB-R

## Pair of single rails and Pair of Roller Shoes

### Low cost

Innovation in Motion



#### Basic load ratings, weight, length

Size	Load ratings N		Moment capacities pair of roller shoes Nm				Weight kg		Order no.
	C	C <sub>0</sub>	M <sub>0cx</sub>	M <sub>cx</sub>	M <sub>0cy</sub> /M <sub>0cz</sub>	M <sub>cy</sub> /M <sub>cz</sub>	PRS	Rail/m	
12	620	170	0,08 (B+30,3)	0,30 (B+30,3)	2,4	8,9	0,07	0,40	84495L
15	700	230	0,10 (B+36,5)	0,35 (B+36,5)	4	12	0,12	0,80	84395L
20	940	300	0,15 (B+47,0)	0,50 (B+47,0)	6	19	0,23	1,20	84442L
25	1500	700	0,35 (B+58,4)	0,70 (B+58,4)	15	32	0,35	1,80	84367L
35	3100	1400	0,70 (B+85,0)	1,50 (B+85,0)	42	95	1,00	3,10	84368L
45	6300	2700	1,40 (B+109,0)	3,10 (B+109,0)	103	238	1,80	5,00	84369L

#### Contact

Franke GmbH  
Obere Bahnstraße 64  
73431 Aalen - Germany

Tel. +49 7361 920-0  
Fax +49 7361 920-120  
info@franke-gmbh.de

DIN EN ISO 9001 QM  
DIN EN ISO 14001 QM

Created: 04.07.2025