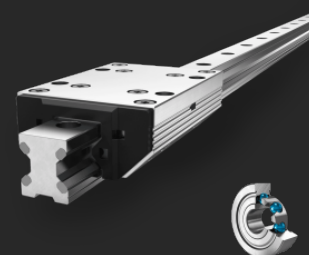


# Linear Guides Type FDB-K

## Double rail and Cassette

### Low cost



Aluminum roller guides of type FDB are equipped with ball bearings and convince with a particularly low price.

## Description

Franke FDB linear guides are suitable for linear motion tasks in almost all industries. They are particularly convincing in cost-sensitive applications with reduced demands on load capacity. Rail elements can be manufactured in a length of 200 mm to 4000 mm and, on request, can also be linked endlessly.

## Characteristics

Rollers	Ball bearing
Raceway	Spring steel, standard

## Properties

Resilience	● ●
Dynamics	● ●
Corrosion resistant	● ● ●
Non magnetic	●
Lubricant free	●
Price	● ● ● ● ●

## Technical data

### Stroke length

One piece from 200 mm to 4000 mm, connectable on request

### Material

Cassette plate, roller shoes,  
Rail body: aluminum, anodized  
Raceways: spring steel  
Rollers: bearing steel

### Operating temperature

-20 °C to +80 °C

### Maximum speed

10 m/s

### Maximum acceleration

40 m/s<sup>2</sup>

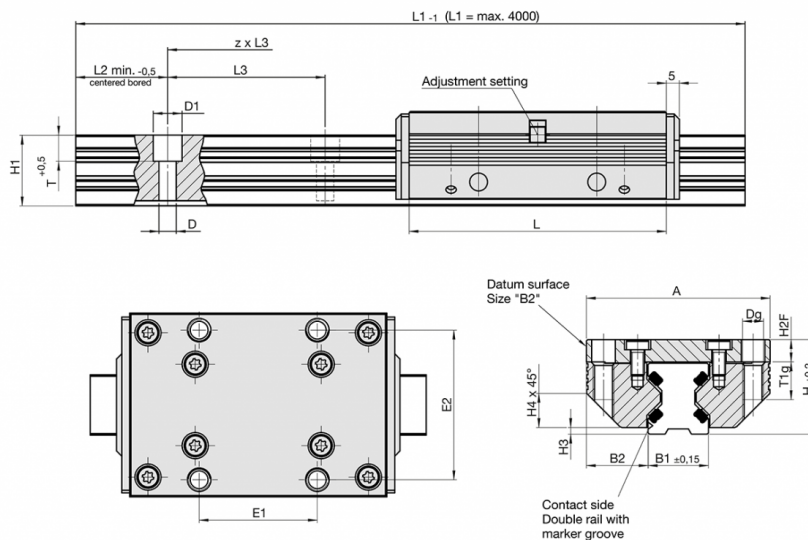
### Mounting position

Any

### Lubricant

Lifetime-lubricated, maintenance-free

Data tables



FDB-K

Size	Dimensions mm									
	A	L	H	B1	B2	D	D1	Dg	E1	
12	37	64	19	12,00	12,50	3,4	6	M 4	25	
15	47	78	24	15,50	15,75	4,5	8	M 5	30	
20	63	92	30	21,00	21,00	5,5	10	M 6	40	
25	70	98	36	23,00	23,50	6,6	11	M 8	45	
35	100	135	48	32,00	34,00	9,0	15	M10	62	
45	120	165	60	45,00	37,50	11,0	18	M12	80	

FDB-K

Size	Dimensions mm									
	E2	H1	H2F	H3	H4	L2	L3	T	T1g	
12	30	14,7	4,0	1,4	5,5	10	40	5,5	8	
15	38	18,7	5,0	2,0	8,0	10	60	6,0	10	
20	53	22,6	7,0	2,0	11,0	10	60	8,0	12	
25	57	27,0	8,5	2,5	13,0	10	60	10,0	16	
35	82	37,0	10,5	3,5	20,0	12	80	11,5	20	
45	100	46,0	13,5	4,0	22,0	16	105	14,5	24	

# Linear Guides Type FDB-K

## Double rail and Cassette

### Low cost

Innovation in Motion



#### Basic load ratings, weight, length

Size	Load ratings N		Moment capacities cassette Nm				Weight kg		Order no.
	C	C <sub>0</sub>	M <sub>0cx</sub>	M <sub>cx</sub>	M <sub>0cy</sub> /M <sub>0cz</sub>	M <sub>cy</sub> /M <sub>cz</sub>	Cassette	Rail/m	
12	620	170	1,6	5,7	2,4	8,9	0,09	0,40	84494L
15	700	230	2,5	7,5	4,0	12,0	0,17	0,80	84396L
20	940	300	4,0	13,0	6,0	19,0	0,35	1,30	84441L
25	1500	700	11,0	23,0	15,0	32,0	0,50	1,60	84363L
35	3100	1400	32,0	72,0	42,0	95,0	1,40	2,60	84364L
45	6300	2700	86,0	200,0	103,0	238,0	2,50	4,50	84365L

#### Contact

Franke GmbH  
 Obere Bahnstraße 64  
 73431 Aalen - Germany

Tel. +49 7361 920-0  
 Fax +49 7361 920-120  
 info@franke-gmbh.de

DIN EN ISO 9001 QM  
 DIN EN ISO 14001 QM

Created: 04.07.2025