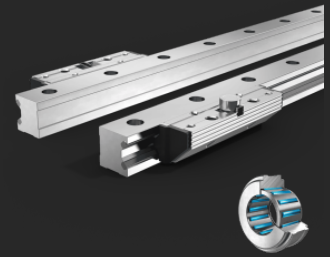


Linear Guides Type FDA-R

Pair of single rails and Pair of Roller Shoes Standard



Aluminum roller guides of type FDA convince with the highest load capacity of all Franke linear guides as well as very good dynamics.

Description

Franke FDA linear guides are equipped with very quiet, smooth-running, high-quality needle bearings and are made almost entirely of lightweight aluminum. The sealed roller bearings enable maintenance-free operation over the entire service life. Rail elements can be manufactured in a length of 200 mm to 4000 mm and, on request, can also be linked endlessly.

Characteristics

Rollers	Needle bearing
Raceway	Spring steel

Properties

Resilience	●●●●●
Dynamics	●●●●
Corrosion resistant	●●
Non magnetic	●
Lubricant free	●
Price	●●●●

Technical data

Stroke length

One piece from 200 mm to 4000 mm, connectable on request

Material

Cassette plate, roller shoes,
Rail body: aluminum, anodized
Raceways: spring steel
Rollers: bearing steel

Operating temperature

-20 °C to +80 °C

Maximum speed

10 m/s

Maximum acceleration

40 m/s²

Mounting position

Any

Lubricant

Lifetime-lubricated, maintenance-free

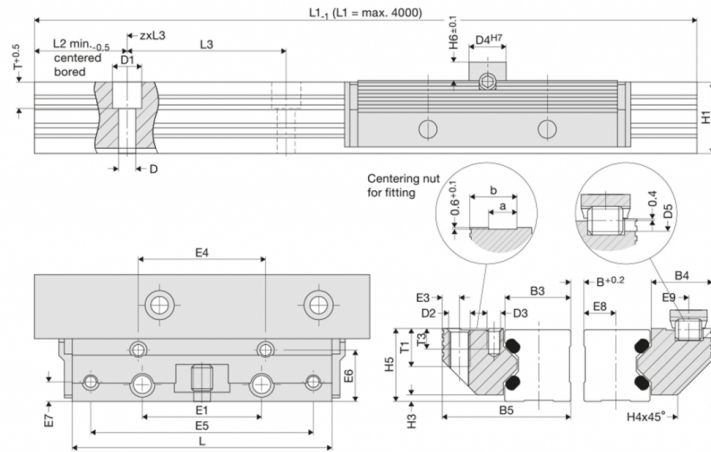
Linear Guides Type FDA-R

Pair of single rails and

Pair of Roller Shoes

Standard

Data tables



FDA-R

Size	Dimensions mm														
	L	B5	H5	B3	B4	D3	D	D1	D2	D4	D5	E1	E3	E4	E5
12	64	24,4	15,0	12,00	11,9	M 3	3,4	6	M 4	8	3	25	3,4	29	57
15	78	30,9	19,0	15,25	15,2	M 4	4,5	8	M 5	10	4	30	4,4	34	68
20	92	40,9	23,0	20,00	20,4	M 5	5,5	10	M 6	10	4	40	4,9	42	80
25	98	48,4	27,5	25,00	22,9	M 5	6,6	11	M 8	14	6	45	6,4	48	84
35	135	68,9	37,5	35,00	32,9	M 6	9,0	15	M 10	14	6	62	8,9	67	117
45	165	82,4	46,5	45,00	36,4	M 8	11,0	18	M 12	14	6	80	9,9	83	146

FDA-R

Size	Dimensions mm													
	E6	E7	E8	E9	H1	H3	H4	H6	L3	T	T3	a	b	
12	9,7	3,4	5,5	4,9	14,7	1,4	5,5	4	40	5,5	6,0	4,5	9,5	
15	12,4	4,9	7,0	5,9	18,7	2,0	8,0	5	60	6,0	7,5	5,0	12,5	
20	16,9	5,9	9,5	5,9	22,6	2,0	11,0	5	60	8,0	8,0	7,5	16,0	
25	19,4	7,4	12,0	8,9	27,0	2,5	13,0	7	60	10,0	5,0	10,5	17,5	
35	28,4	8,9	17,0	8,9	37,0	3,5	20,0	7	80	11,5	8,5	12,5	26,0	
45	30,9	9,9	22,0	8,9	46,0	4,0	22,0	7	105	14,5	9,5	15,5	31,0	

Linear Guides Type FDA-R

Pair of single rails and

Pair of Roller Shoes

Standard

Innovation in Motion



Basic load ratings, weight, length

Size	Load ratings N		Moment capacities pair of roller shoes Nm				Weight kg		Order no.
	C	C ₀	M _{0cx}	M _{cx}	M _{0cy} /M _{0cz}	M _{cy} /M _{cz}	PRS	Rail/m	
12	2800	3000	0,6 (B+30,3)	0,6 (B+30,3)	43	40	0,07	0,40	84495A
15	4200	3400	1,5 (B+36,5)	1,4 (B+36,5)	58	72	0,12	0,80	84395A
20	5400	5400	2,5 (B+47,0)	2,2 (B+47,0)	111	111	0,23	1,20	84442A
25	9000	10100	4,2 (B+58,4)	2,9 (B+58,4)	222	198	0,35	1,80	84367A
35	12500	18000	7,3 (B+85,0)	5,0 (B+85,0)	559	388	1,00	3,10	84368A
45	21200	25900	10,2 (B+109,0)	8,5 (B+109,0)	983	806	1,80	5,00	84369A

Contact

Franke GmbH
 Obere Bahnstraße 64
 73431 Aalen - Germany

Tel. +49 7361 920-0
 Fax +49 7361 920-120
 info@franke-gmbh.de

DIN EN ISO 9001 QM
 DIN EN ISO 14001 QM

Created: 04.07.2025