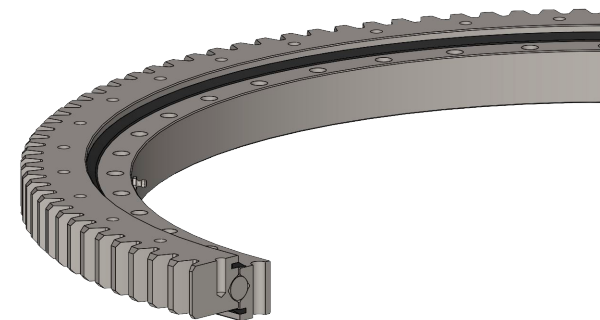
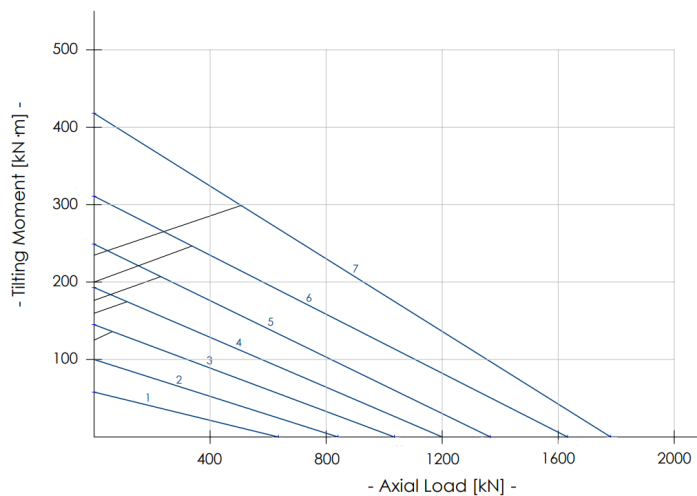
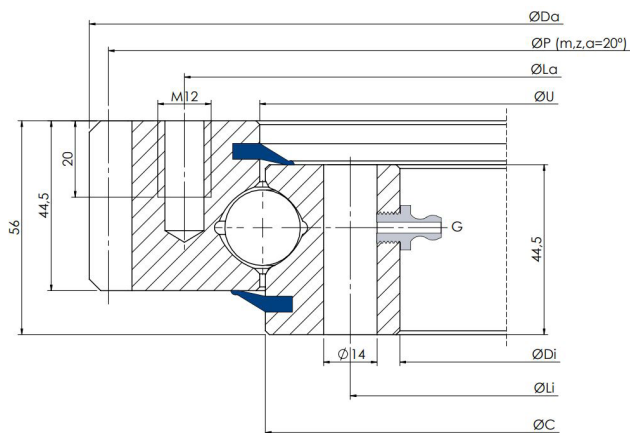


# E 20.00.B

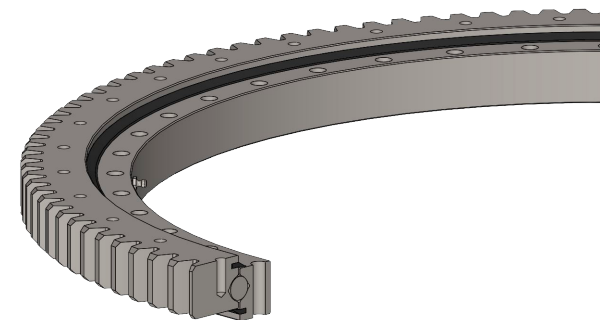
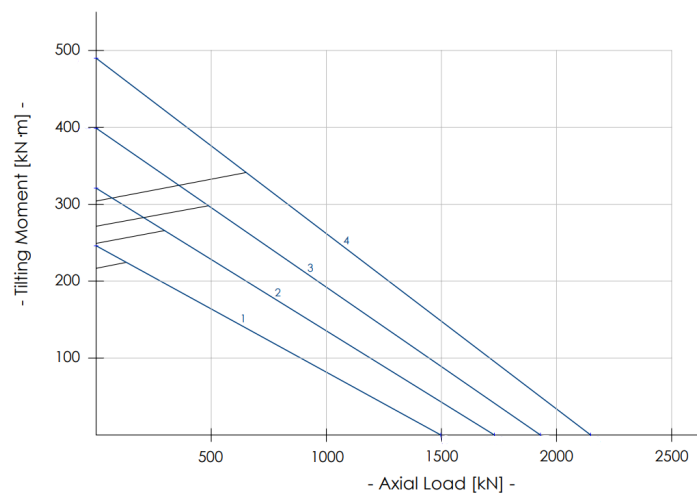
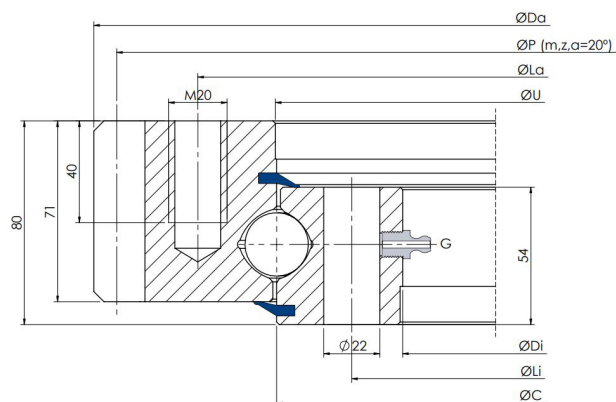
Standard version, ball Ø20mm, external geared, standard holes



Slewing Ring Type	Dimensions				Fixing holes				Gear			Tooth Force		Static		Dynamic		Mass
	Da mm	U mm	C mm	Di mm	La mm	na n°	Li mm	ni n°	P mm	m	z n°	Fz nor. kN	Fz max. kN	Coa (kN)	Mr (kN·m)	Ca (kN)	Cr (kN)	Weight kg
1 E.505.20.00.B	503.3	415.5	412.5	342	455	20	368	24	495	5	99	17.8	24.9	635	58	197	128	31
2 E.650.20.00.B	640.3	545.5	542.5	472	585	28	498	32	630	6	105	21.2	29.7	869	103	218	142	43
3 E.750.20.00.B	742.3	645.5	642.5	572	685	32	598	36	732	6	122	21.2	29.7	1035	145	233	151	52
4 E.850.20.00.B	838.1	745.5	742.5	672	785	36	698	40	828	6	138	21.2	29.7	1186	191	246	160	59
5 E.950.20.00.B	950.1	845.5	842.5	772	885	36	798	40	936	8	117	28.2	39.6	1366	249	258	167	71
6 E.1050.20.00.B	1046.1	945.5	942.5	872	985	40	898	44	1032	8	129	28.2	39.6	1532	312	269	174	77
7 E.1200.20.00.B	1198.1	1095.5	1092.5	1022	1135	44	1048	48	1184	8	148	28.2	39.6	1781	418	284	184	91

# E 25.00.B

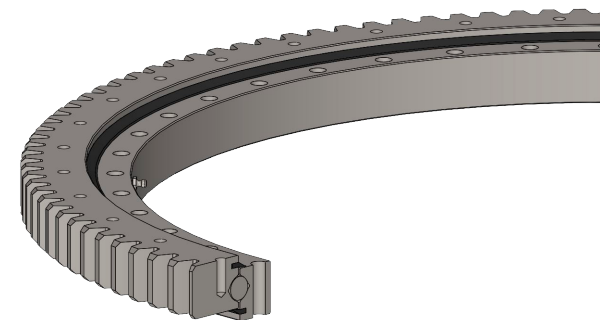
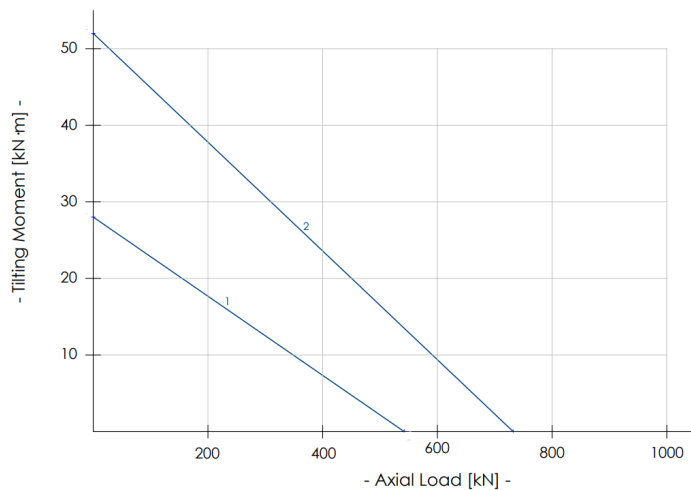
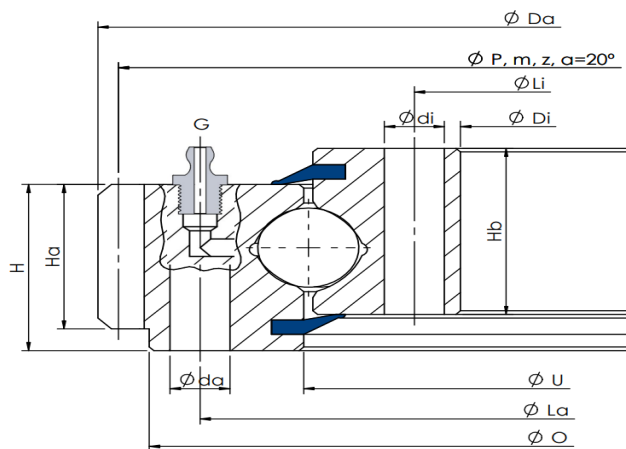
Standard version, ball  $\varnothing 25\text{mm}$ , external geared, standard holes



Slewing Ring Type	Dimensions				Fixing holes				Gear			Tooth Force		Static		Dynamic		Mass
	Da mm	U +IT8 mm	C mm	Di +IT8 mm	La mm	na n°	Li mm	ni n°	P mm	m	z n°	Fz nor. kN	Fz max. kN	Coa (kN)	Mr (kN·m)	Ca (kN)	Cr (kN)	Weight kg
1 E.900.25.00.B	898	755	754	657	816	24	695	24	882	9	98	50.8	71.1	1497	246	344	223	128
2 E.1000.25.00.B	997	855	854	757	916	28	795	28	981	9	109	50.8	71.1	1730	321	362	235	145
3 E.1100.25.00.B	1096	955	954	857	1016	30	895	30	1080	9	120	50.8	71.1	1930	399	376	244	155
4 E.1200.25.00.B	1198	1055	1054	957	1116	30	995	30	1180	10	118	55.5	77.6	2148	490	392	254	171

# E 22.00.D

Special version, ball Ø22mm, external geared, special holes



Slewing Ring Type	Dimensions								Fixing holes					Gear			Tooth Force		Mass
	Da mm	O mm	U mm	Di mm	Ha mm	Hb mm	H mm	La mm	na n°	da mm	Li mm	ni n°	di mm	P mm	m	z n°	Fz nor. kN	Fz max. kN	Weight kg
1 E.318.22.00.D.1	318	297	230	162	40	46	56	275	20	13	182	20-1	13	310.5	4.5	69	14.3	20	17
2 E.403.22.00.D.1	403.5	380	310	235	39	47	55	358	24	13	259	28-1	13	396	4.5	88	14.3	20	23