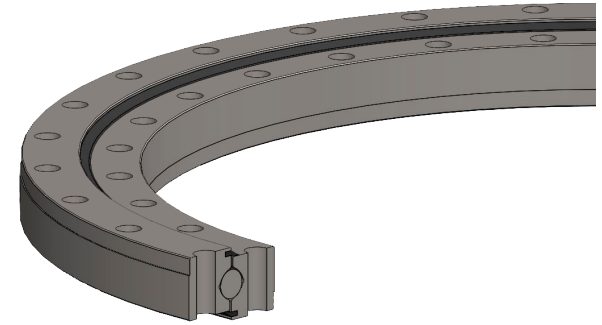
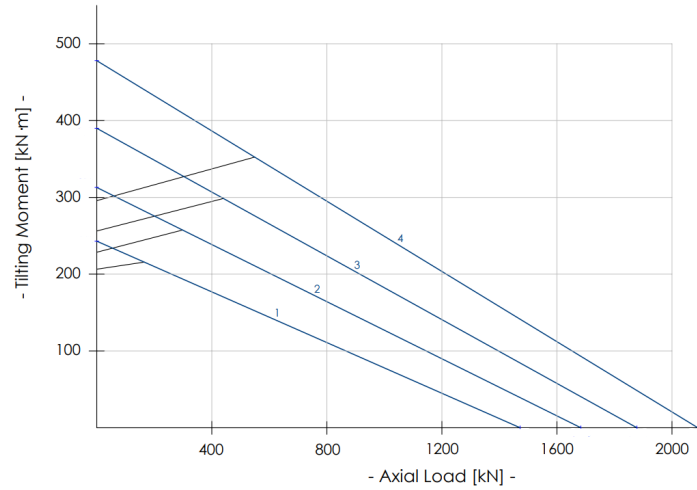
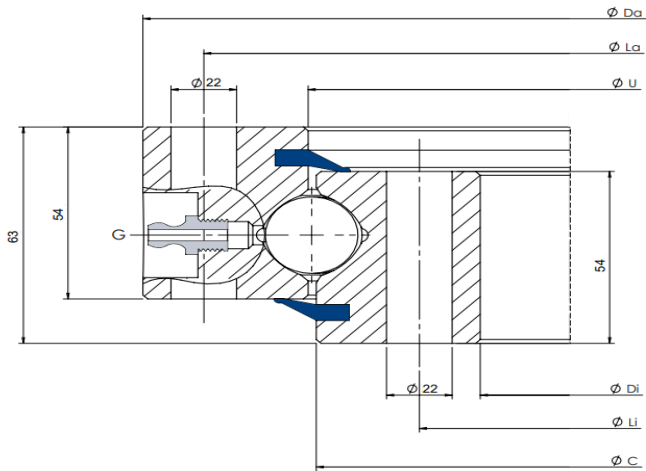


SD 25.00.B

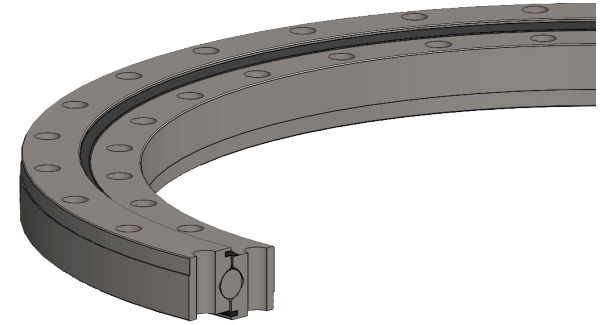
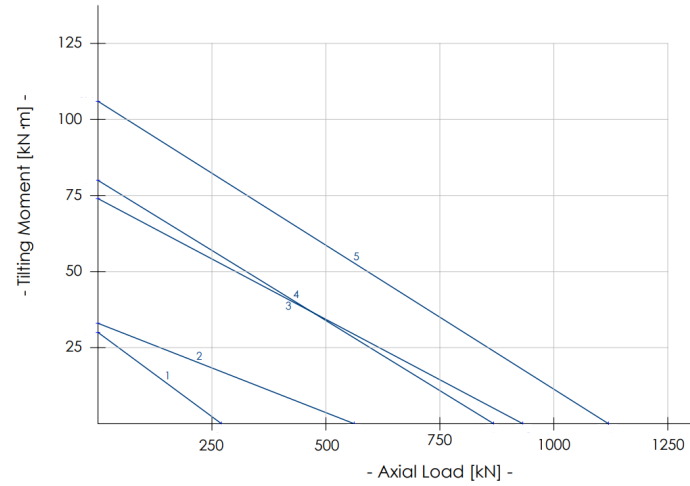
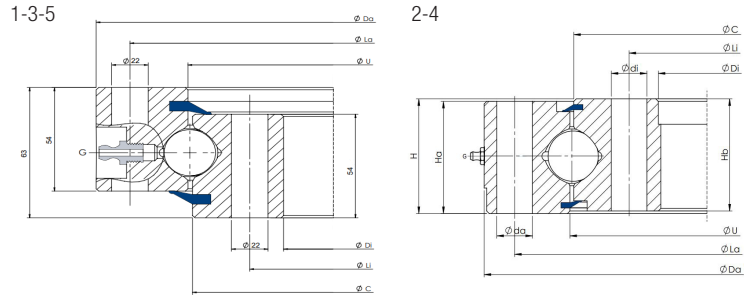
Standard version, ball Ø25mm, ungeared, standard holes



Slewing Ring Type	Dimensions					Fixing holes				Static		Dynamic		Mass
	Da mm	U mm	C mm	Di mm	La mm	na n°	Li mm	ni n°	Coa (kN)	Mr (kN-m)	Ca (kN)	Cr (kN)	Weight kg	
1	SD.855.25.00.B	853	756	756	657	815	24	695	24	1472	243	344	223	90
2	SD.955.25.00.B	953	856	856	757	915	28	795	28	1683	313	362	235	101
3	SD.1055.25.00.B	1053	956	956	857	1015	30	895	30	1878	390	376	244	115
4	SD.1155.25.00.B	1153	1056	1056	957	1115	30	995	30	2090	478	391	254	128

SD XX.00.D

Special version, different ball \varnothing in mm, ungeared, special holes



Slewing Ring Type	Dimensions							Fixing holes					Mass		
	Da mm	U mm	C mm	Di mm	Ha mm	Hb mm	H mm	La mm	na n°	da mm	Li mm	ni n°	di mm	Weight kg	
1	SD.234.14.00.D.1	234	180.5	177.5	124.5	30	30	35	214	24-1	11	144.5	20	11	7
2	SD.329.20.00.D.1	327	262	258	192	44	44	45	305	16	14	215	16-1	14	18
3	SD.430.25.15.D.1	430	348	342	260	53	53	65	400	24	14	290	20	16	32
4	SD.475.20.00.D.1	474	404	403	336	44	44	45	450	24	14	360	24	14	30
5	SD.505.25.15.D.1	505	416.5	413.5	325	64.5	60	66	475	24	17	355	24	17	48