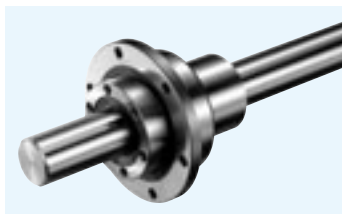


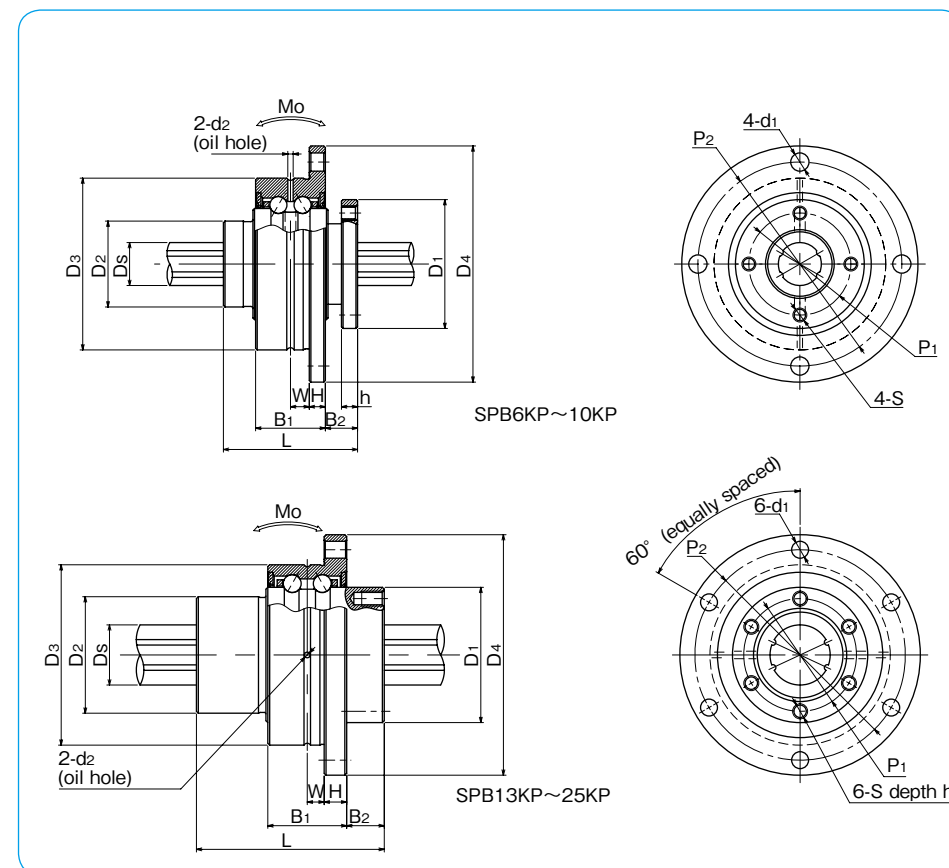
SPB-KP TYPE



part number structure

example **SPB 16 KP-2-T1-600-P/CU**

- SPB KP type**
- nominal diameter**
- number of nuts attached to one shaft**
- with special specification**
- accuracy grade blank: high P: precision**
- spline shaft total length**
- preload symbol for linear portion blank: standard T1: light T2: medium**

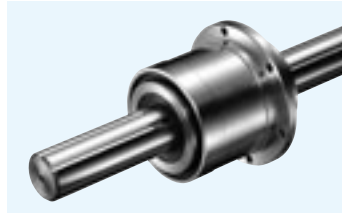


part number	major dimensions							major dimensions of angular contact bearing					
	D ₁ h7	D ₂	L	P ₁	S	h	D ₃ g6	D ₄	H	B ₁	B ₂	P ₂	
	mm	mm	mm	mm	mm	mm	mm	mm	mm	mm	mm	mm	
SPB 6KP	20	14	25	16	M2	3	28	38	3	13	6	33	
SPB 8KP	24	16	25	19	M2.6	3	32	44	3	13	6	38	
SPB10KP	28	21	33	23	M3	4	36	48	3	15	9	42	
SPB13KP	30	24	36	25	M3	5	44	56	4	18	9	50	
SPB16KP	36	31	50	30	M4	6	48	64	6	21	10	56	
SPB20KP	43.5	35	63	36	M5	8	56	72	6	21	12	64	
SPB25KP	52	42	71	44	M5	8	66	86	7	25	13	75	

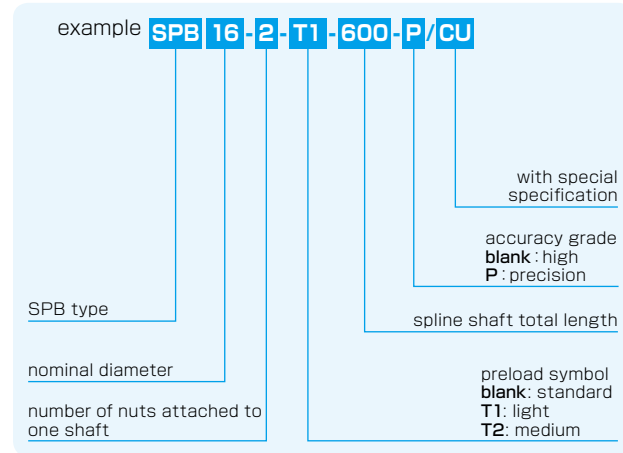
d ₁	W	d ₂	D _s	rotary ball spline				angular contact bearings		allowable static moment Mo	mass		* maximum revolutions	size
				basic torque rating dynamic C _T	basic torque rating static Co _T	basic load rating dynamic C	basic load rating static Co	dynamic C _R	static Co _R		nut kg	shaft kg/m		
2.4	3.5	1	6	1.5	2.4	1.22	2.28	4.35	2.74	5.1	0.07	0.21	8,100	6
3.4	3.5	1	8	2.1	3.7	1.45	2.87	4.54	3.13	7.4	0.10	0.38	7,000	8
3.4	4.5	1	10	4.4	8.2	2.73	5.07	6.86	4.82	18.0	0.14	0.60	6,200	10
3.4	5	1	13	21	39.2	2.67	4.89	9.45	7.01	13.7	0.23	1.0	5,000	13
4.5	4.5	1.5	16	60	110	6.12	11.2	10.2	8.39	46	0.37	1.5	4,200	16
4.5	4.5	1.5	20	105	194	8.9	16.3	10.9	10.1	110	0.55	2.4	3,600	20
5.5	5.5	1.5	25	189	346	12.8	23.4	13.7	12.9	171	0.84	3.7	3,100	25

*Maximum revolutions for grease lubrication.

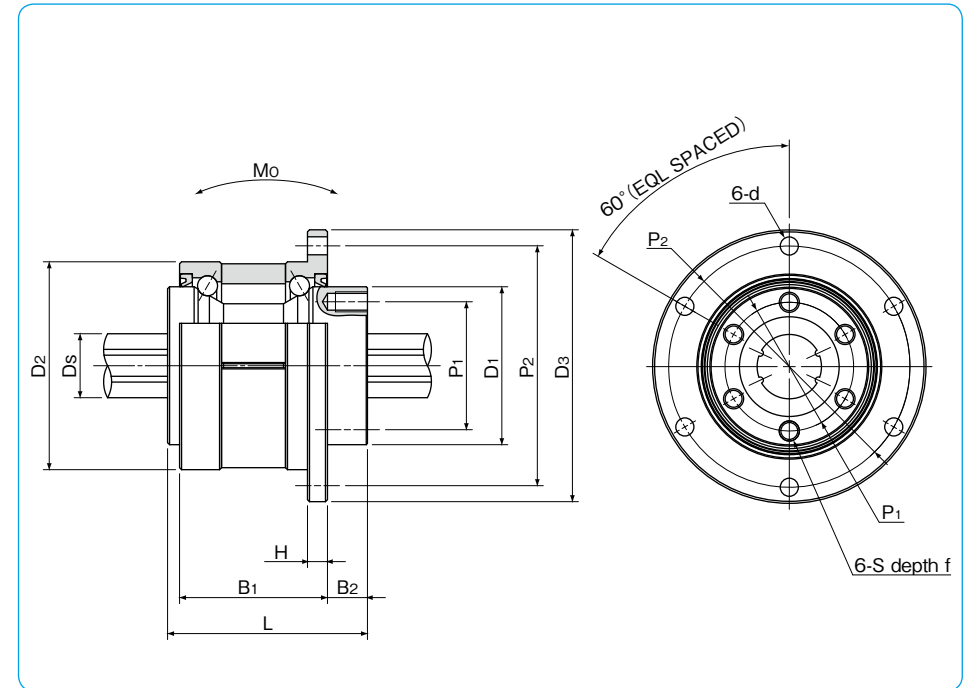
SPB TYPE



part number structure



part number	major dimensions						major dimensions of angular contact bearing							
	D _{1h7} tolerance	L	P ₁ P.C.D.	S	f	D ₂ tolerance	D ₃	H	B ₁	B ₂	P ₂ P.C.D.	d		
	mm	mm	mm	mm	mm	mm	mm	mm	mm	mm	mm	mm		
SPB16	39.5	0	50	32	M5	8	52	0	68	5	37	10	60	4.5
SPB20	43.5	-25	63	36	M5	8	56	-7	72	6	48	12	64	4.5
SPB25	53	0/-30	71	45	M6	8	62	-7	78	6	55	13	70	4.5



spline shaft D _s tolerance	rotary ball spline				angular contact bearings		allowable static moment M ₀ N·m	mass		* maximum revolutions	size
	basic torque rating C _T N·m	static C _{0T} N·m	dynamic C kN	static C ₀ kN	basic load rating dynamic C kN	static C ₀ kN		nut kg	shaft kg/m		
16 0/-18	60	110	6.12	11.2	13.0	12.8	46	0.51	1.5	4,000	16
20 0	105	194	8.9	16.3	17.4	17.2	110	0.70	2.4	3,600	20
25 -21	189	346	12.8	23.4	22.1	22.5	171	0.91	3.7	3,200	25

*Maximum revolutions for grease lubrication. (please contact NB in case of oil lubrication.) 1kN≒102kgf 1N·m≒0.102kgf·m