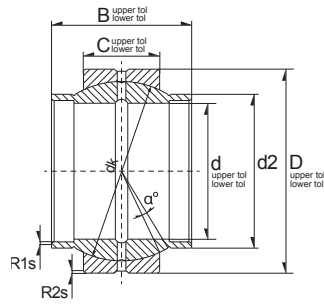


Wartungspflichtige Radial-Gelenklager / Radial Spherical Plain Bearings (RM)



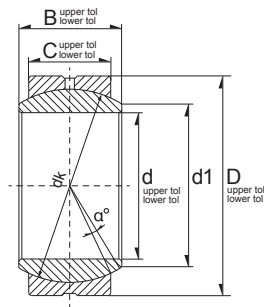
(MF) = Maintenance Free
(RM) = Requiring Maintenance



35

Ref	Dimension (mm)									*Load Rating		Weight (g) approx.
	d	D	B	C	d2	dk	R1s	R2s	α°	C, dyn. N	C, stat. N	
GE12-LO	12.0	22.0	12.0	7.0	15.5	18.0	0.3	0.3	4.0	9720	48600	22 g
GE16-LO	16.0	28.0	16.0	9.0	20.0	23.0	0.3	0.3	4.0	15930	79740	35 g
GE20-LO	20.0	35.0	20.0	12.0	25.0	29.0	0.3	0.3	4.0	26640	133200	70 g
GE25-LO	25.0	42.0	25.0	16.0	30.5	35.5	0.6	0.6	4.0	43470	21690	120 g
GE30-LO	30.0	47.0	30.0	18.0	34.0	40.7	0.6	0.6	4.0	55800	279000	168 g
GE32-LO	32.0	52.0	32.0	18.0	37.0	44.0	0.6	1.0	4.0	60570	303300	200 g
GE35-LO	35.0	55.0	35.0	20.0	40.0	47.0	0.6	1.0	4.0	71100	359100	253 g
GE40-LO	40.0	62.0	40.0	22.0	46.0	53.0	0.6	1.0	4.0	89190	446400	340 g
GE45-LO	45.0	68.0	45.0	25.0	52.0	60.0	0.6	1.0	4.0	114300	573300	481 g
GE50-LO	50.0	75.0	50.0	28.0	57.0	66.0	0.6	1.0	4.0	141300	706500	560 g
GE60-LO	60.0	90.0	60.0	36.0	68.0	80.0	1.0	1.0	4.0	220500	1098000	1150 g
GE63-LO	63.0	95.0	63.0	36.0	71.5	83.0	1.0	1.0	4.0	228600	1143000	1200 g
GE70-LO	70.0	105.0	70.0	40.0	78.0	92.0	1.0	1.0	4.0	281700	1404000	1700 g
GE80-LO	80.0	120.0	80.0	45.0	91.0	105.0	1.0	1.0	4.0	361800	1809000	2400 g
GE90-LO	90.0	130.0	90.0	50.0	99.0	115.0	1.0	1.0	4.0	440100	2196000	3200 g
GE100-LO	100.0	150.0	100.0	55.0	113.0	130.0	1.0	1.0	4.0	547200	2736000	4800 g
GE110-LO	110.0	160.0	110.0	55.0	124.0	140.0	1.0	1.0	4.0	589500	2952000	5780 g
GE125-LO	125.0	180.0	125.0	70.0	138.0	160.0	1.0	1.0	4.0	856800	4284000	8490 g

Wartungspflichtige Radial-Gelenklager / Radial Spherical Plain Bearings (RM)



(MF) = Maintenance Free
(RM) = Requiring Maintenance



36

Ref	Dimension (mm)								*Load Rating		Weight (g) approx.
	d	D	B	C	Da	da	dK	α°	C, dyn. N	C, stat. N	
GE6-PB	6.0	16.0	9.0	6.75	11.5	9.0	12.7	13.0	3888	9720	11 g
GE8-PB	8.0	19.0	12.0	9.0	14.0	10.4	15.875	14.0	6426	16110	19 g
GE10-PB	10.0	22.0	14.0	10.5	17.0	12.9	19.05	13.0	9000	22500	28 g
GE12-PB	12.0	26.0	16.0	12.0	19.5	15.4	22.225	13.0	11970	29970	45 g
GE14-PB	14.0	28.0	19.0	13.5	22.5	16.9	25.4	16.0	15390	38610	55 g
GE16-PB	16.0	32.0	21.0	15.0	25.5	19.4	28.575	15.0	19260	48240	82 g
GE18-PB	18.0	35.0	23.0	16.5	28.5	21.9	31.75	15.0	23580	58950	110 g
GE20-PB	20.0	40.0	25.0	18.0	31.5	24.4	34.925	14.0	28260	70740	150 g
GE22-PB	22.0	42.0	28.0	20.0	34.0	25.8	38.1	15.0	34290	85770	180 g
GE25-PB	25.0	47.0	31.0	22.0	38.5	29.6	42.85	15.0	42390	106200	240 g
GE30-PB	30.0	55.0	37.0	25.0	46.0	34.8	50.8	17.0	57150	143100	390 g