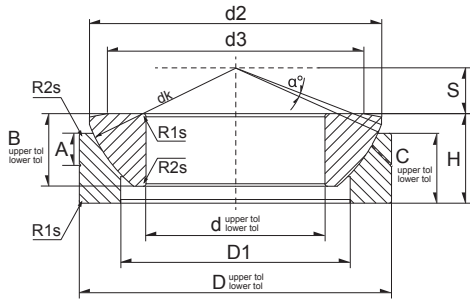


# Wartungspflichtige Axial-Gelenklager / Axial Spherical Plain Bearings (RM)



(MF) = Maintenance Free  
(RM) = Requiring Maintenance



25

Ref	Dimension (mm)														α°	*Load Rating		Weight (g) approx.
	d	D	H	dk	d1	d2	d3	B	C	S	A	R1s	R2s	C, dyn. N		C, stat. N		
GE10-AX	10.0	30.0	9.5	32.0	16.5	27.5	21	7.9	6.0	7.0	3.0	0.6	0.2	10.0	21960	109800	40 g	
GE12-AX	12.0	35.0	13.0	37.0	19.5	32.0	24	9.3	9.0	8.0	4.0	0.6	0.2	9.0	29160	145800	70 g	
GE15-AX	15.0	42.0	15.0	45.0	24.0	38.9	29	10.7	11.0	10.0	5.0	0.6	0.2	7.0	46980	234900	120 g	
GE17-AX	17.0	47.0	16.0	50.0	28.0	43.4	34	11.5	11.5	11.0	5.0	0.6	0.15	6.0	53280	266400	160 g	
GE20-AX	20.0	55.0	20.0	60.0	33.5	50.0	40	14.3	13.0	12.5	6.0	1.0	0.3	6.0	67590	337500	250 g	
GE25-AX	25.0	62.0	22.5	66.0	34.5	57.5	45	16.0	17.0	14.0	6.0	1.0	0.3	7.0	116100	580500	380 g	
GE30-AX	30.0	75.0	26.0	80.0	44.0	69.0	56	18.0	19.5	17.5	8.0	1.0	0.3	6.0	152100	763200	650 g	
GE35-AX	35.0	90.0	28.0	98.0	52.0	84.0	66	22.0	20.0	22.0	8.0	1.0	0.3	6.0	233100	1161000	1000 g	
GE40-AX	40.0	105.0	32.0	114.0	59.0	98.0	78	27.0	22.0	24.5	9.0	1.0	0.3	6.0	335700	1674000	1600 g	
GE45-AX	45.0	120.0	36.5	130.0	68.0	112.0	89	31.0	25.0	27.5	11.0	1.0	0.3	6.0	437400	2187000	2400 g	
GE50-AX	50.0	130.0	42.5	140.0	69.0	122.5	98	33.5	32.0	30.0	10.0	1.0	0.3	5.0	585000	2925000	3300 g	