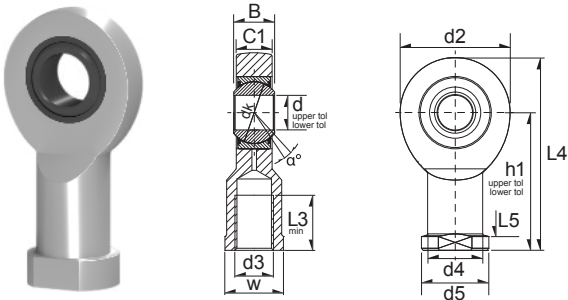


Wartungsfreie Gelenkköpfe / Rod Ends (MF)



(MF) = Maintenance Free
(RM) = Requiring Maintenance



17

Ref	Dimension (mm)														α°	*Load Rating		Weight (g) approx.
	d	d2	L4	B	C1	d3	d4	d5	dk	h1	L3	L5	W	C, dyn. N		C, stat. N		
GIR17-UK-2RS	17	46	90	14	11	M16x2	24	30	25	67	34	10	27	10	20250	50850	220 g	
GIR20-UK-2RS	20	53	103.5	16	13	M20x1.5	27.5	35	29	77	40	10	32	9	28170	68040	350 g	
GIR25-UK-2RS	25	64	126	20	17	M24x2	33.5	42	35.5	94	48	12	36	7	45990	94500	640 g	
GIR30-UK-2RS	30	73	146.5	22	19	M30x2	40	50	40.7	110	56	15	41	6	59310	125100	930 g	
GIR35-UK-2RS	35	82	166	25	21	M36x3	47	58	47	125	60	15	50	6	189000	143100	1300 g	
GIR40-UK-2RS	40	92	188	28	23	M39x3	52	65	53	142	65	18	55	7	252000	174600	2000 g	
GIR45-UK-2RS	45	102	196	32	27	M42x3	58	70	60	145	65	20	60	7	324000	233100	2500 g	
GIR50-UK-2RS	50	112	216	35	30	M45x3	62	75	66	160	68	20	65	6	397800	281700	3500 g	
GIR60-UK-2RS	60	135	242.5	44	38	M52x3	70	88	80	175	70	20	75	6	621000	436500	5500 g	
GIR70-UK-2RS	70	160	280	49	42	M56x4	80	98	92	200	80	20	85	6	796500	507600	8600 g	
GIR80-UK-2RS	80	180	320	55	47	M64x4	95	110	105	230	85	25	100	6	1017000	621000	12000 g	

Ref	Dimension (mm)														α°	*Load Rating		Weight (g) approx.
	d	d2	L4	B	C1	d3	d4	d5	dk	h1	L3	L5	W	C, dyn. N		C, stat. N		
GIL17-UK-2RS	17	46	90	14	11	M16x2	24	30	25	67	34	10	27	10	20250	50850	220 g	
GIL20-UK-2RS	20	53	103.5	16	13	M20x1.5	27.5	35	29	77	40	10	32	9	28170	68040	350 g	
GIL25-UK-2RS	25	64	126	20	17	M24x2	33.5	42	35.5	94	48	12	36	7	45990	94500	640 g	
GIL30-UK-2RS	30	73	146.5	22	19	M30x2	40	50	40.7	110	56	15	41	6	59310	125100	930 g	
GIL35-UK-2RS	35	82	166	25	21	M36x3	47	58	47	125	60	15	50	6	189000	143100	1300 g	
GIL40-UK-2RS	40	92	188	28	23	M39x3	52	65	53	142	65	18	55	7	252000	174600	2000 g	
GIL45-UK-2RS	45	102	196	32	27	M42x3	58	70	60	145	65	20	60	7	324000	233100	2500 g	
GIL50-UK-2RS	50	112	216	35	30	M45x3	62	75	66	160	68	20	65	6	397800	281700	3500 g	
GIL60-UK-2RS	60	135	242.5	44	38	M52x3	70	88	80	175	70	20	75	6	621000	436500	5500 g	
GIL70-UK-2RS	70	160	280	49	42	M56x4	80	98	92	200	80	20	85	6	796500	507600	8600 g	
GIL80-UK-2RS	80	180	320	55	47	M64x4	95	110	105	230	85	25	100	6	1017000	621000	12000 g	