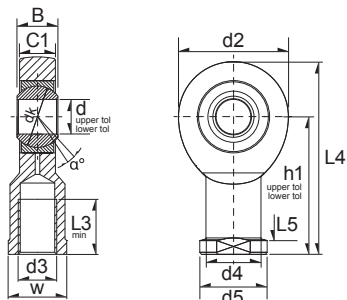


Wartungsfreie Gelenkköpfe / Rod Ends (MF)



(MF) = Maintenance Free
(RM) = Requiring Maintenance



18

Ref	Dimension (mm)														α°	*Load Rating		Weight (g) approx.
	d	d2	L4	B	C1	d3	d4	d5	dk	h1	L3	L5	W	C, dyn. N		C, stat. N		
GIR6-UK	6	21	40.5	6	4.4	M6	10	13	10	30	11	5	11	13	3240	9270	21 g	
GIR8-UK	8	24	48	8	6	M8	12.5	16	13	36	15	5	14	15	5265	14400	39 g	
GIR10-UK	10	29	57.5	9	7	M10	15	19	16	43	20	6.5	17	12	7776	19800	61 g	
GIR12-UK	12	34	67	10	8	M12	17.5	22	18	50	23	6.5	19	11	10170	27360	96 g	
GIR15-UK	15	40	81	12	10	M14	21	26	22	61	30	8	22	8	16020	40320	180 g	
GIR17-UK	17	46	90	14	11	M16	24	30	25	67	34	10	27	10	20250	50850	220 g	
GIR20-UK	20	53	103.5	16	13	M20x1.5	27.5	35	29	77	40	10	32	9	28170	68040	350 g	
GIR25-UK	25	64	126	20	17	M24x2	33.5	42	35.5	94	48	12	36	7	45900	94500	640 g	
GIR30-UK	30	73	146.5	22	19	M30x2	40	50	40.7	110	56	15	41	6	59310	125100	930 g	

Ref	Dimension (mm)														α°	*Load Rating		Weight (g) approx.
	d	d2	L4	B	C1	d3	d4	d5	dk	h1	L3	L5	W	C, dyn. N		C, stat. N		
GIL6-UK	6	21	40.5	6	4.4	M6	10	13	10	30	11	5	11	13	3240	9270	21 g	
GIL8-UK	8	24	48	8	6	M8	12.5	16	13	36	15	5	14	15	5265	14400	39 g	
GIL10-UK	10	29	57.5	9	7	M10	15	19	16	43	20	6.5	17	12	7776	19800	61 g	
GIL12-UK	12	34	67	10	8	M12	17.5	22	18	50	23	6.5	19	11	10170	27360	96 g	
GIL15-UK	15	40	81	12	10	M14	21	26	22	61	30	8	22	8	16020	40320	180 g	
GIL17-UK	17	46	90	14	11	M16	24	30	25	67	34	10	27	10	20250	50850	220 g	
GIL20-UK	20	53	103.5	16	13	M20x1.5	27.5	35	29	77	40	10	32	9	28170	68040	350 g	
GIL25-UK	25	64	126	20	17	M24x2	33.5	42	35.5	94	48	12	36	7	45900	94500	640 g	
GIL30-UK	30	73	146.5	22	19	M30x2	40	50	40.7	110	56	15	41	6	59310	125100	930 g	