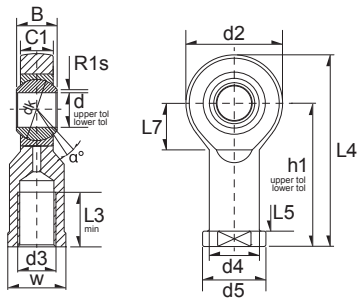


# Wartungsfreie Gelenkköpfe / Rod Ends (MF)



(MF) = Maintenance Free  
(RM) = Requiring Maintenance



14

Ref	Dimension (mm)																	*Load Rating		Weight (g) approx.
	d	d2	L4	B	C1	D	d1	d3	d4	d5	dK	h1	L3	L5	L7	W	alpha°	C, dyn. N	C, stat. N	
GIKSR5-PS	5	19	36.5	8	6	13	7.7	M5	9	11	11.1	27	8	4	9	9	13	5400	3420	17 g
GIKSR6-PS	6	21	40.5	9	6.75	16	8.9	M6	10	13	12.7	30	9	5	10	11	13	6885	3060	25 g
GIKSR8-PS	8	25	48.5	12	9	19	10.3	M8	12.5	16	15.8	36	12	5	12	14	13	11610	5130	43 g
GIKSR10-PS	10	29	57.5	14	10.5	22	12.9	M10	15	19	19	43	15	6.5	14	17	13	16200	7200	72 g
GIKSR12-PS	12	33	66.5	16	12	26	15.4	M12	17.5	22	22.2	50	18	6.5	16	19	13	21600	8190	107 g
GIKSR14-PS	14	37	75.5	19	13.5	28	16.8	M14	20	25	25.4	57	21	8	18	22	15	27900	12330	160 g
GIKSR16-PS	16	43	85.5	21	15	32	19.3	M16	22	27	28.5	64	24	8	21	22	15	35100	17100	210 g
GIKSR18-PS	18	47	94.5	23	16.5	35	21.8	M18X1,5	25	31	31.7	71	27	10	23	27	15	42750	20700	295 g
GIKSR20-PS	20	51	102.5	25	18	40	24.3	M20X1,5	27.5	34	34.9	77	30	10	25	30	15	51300	20520	380 g
GIKSR22-PS	22	55	111.5	28	20	42	25.8	M22X1,5	30	37	38.1	84	33	12	27	32	15	61200	27360	490 g
GIKSR25-PS	25	61	124.5	31	22	47	29.5	M24X2	33.5	42	42.8	94	36	12	30	36	15	76500	32580	650 g
GIKSR30-PS	30	71	145.5	37	25	55	34.8	M30X2	40	50	50.8	110	45	15	35	41	15	102600	42750	1150 g