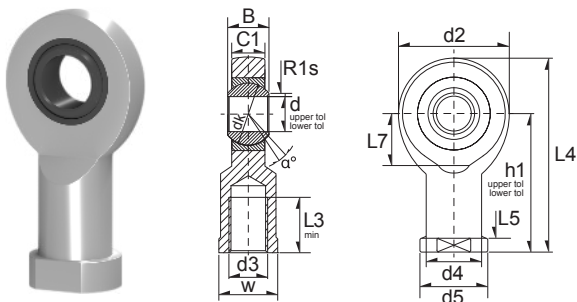


Wartungsfreie Gelenkköpfe / Rod Ends (MF)



(MF) = Maintenance Free
(RM) = Requiring Maintenance



11

Ref	Dimension (mm)																	*Load Rating		Weight (g) approx.
	d	d2	L4	B	C1	D	d1	d3	d4	d5	dK	h1	L3	L5	L7	W	α°	C, dyn. N	C, stat. N	
GIKPR10-PW	10	28	57	14	10.5	22	12.9	M10X1,25	15	19	19.05	43	20	6.5	15	17	13	16290	16650	77 g
GIKPR12-PW	12	32	66	16	12	26	15.4	M12X1,25	17.5	22	22.225	50	22	6.5	17	19	13	21600	18720	100 g
GIKPR16-PW	16	42	85	21	15	32	19.3	M16X1,5	22	28	28.575	64	28	8	23	22	15	34740	40770	220 g
GIKPR30-PW	30	70	145	37	25	55	34.8	M27X2	40	50	50.8	110	51	15	37	41	17	102600	86310	1100 g