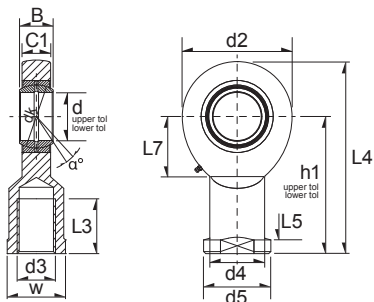


Wartungspflichtige Gelenkköpfe / Rod Ends (RM)



(MF) = Maintenance Free
(RM) = Requiring Maintenance



16

Ref	Dimension (mm)																	*Load Rating		Weight (g) approx.
	d	d2	L4	B	C1	D	d1	d3	d4	d5	dK	h1	L3	L5	L7	W	α°	C, dyn. N	C, stat. N	
GIR6-DO	6	21	40.5	6	4.4	14	8	M6	10	13	10	30	11	5	12	11	13	3060	9270	23 g
GIR8-DO	8	24	48	8	6	16	10.2	M8	12.5	16	13	36	15	5	14	14	15	5031	14400	39 g
GIR10-DO	10	29	57.5	9	7	19	13.2	M10	15	19	16	43	20	6.5	15	17	12	7344	19800	66 g
GIR12-DO	12	34	67	10	8	22	14.9	M12	17.5	22	18	50	23	6.5	18	19	11	9720	27360	100 g
GIR15-DO	15	40	81	12	10	26	18.4	M14	21	26	22	61	30	8	20	22	8	15210	40320	180 g
GIR17-DO	17	46	90	14	11	30	20.7	M16	24	30	25	67	34	10	23	27	10	19170	50850	250 g
GIR20-DO	20	53	103.5	16	13	35	24.2	M20X1,5	27.5	35	29	77	40	10	27	32	9	26640	68040	360 g
GIR25-DO	25	64	126	20	17	42	29.3	M24X2	33.5	42	35.5	94	48	12	32	36	7	43470	79470	660 g
GIR30-DO	30	73	146.5	22	19	47	34.2	M30X2	40	50	40.7	110	56	15	37	41	6	56070	107100	980 g

Ref	Dimension (mm)																	*Load Rating		Weight (g) approx.
	d	d2	L4	B	C1	D	d1	d3	d4	d5	dK	h1	L3	L5	L7	W	α°	C, dyn. N	C, stat. N	
GIL6-DO	6	21	40.5	6	4.4	14	8	M6	10	13	10	30	11	5	12	11	13	3060	9270	23 g
GIL8-DO	8	24	48	8	6	16	10.2	M8	12.5	16	13	36	15	5	14	14	15	5031	14400	39 g
GIL10-DO	10	29	57.5	9	7	19	13.2	M10	15	19	16	43	20	6.5	15	17	12	7344	19800	66 g
GIL12-DO	12	34	67	10	8	22	14.9	M12	17.5	22	18	50	23	6.5	18	19	11	9720	27360	100 g
GIL15-DO	15	40	81	12	10	26	18.4	M14	21	26	22	61	30	8	20	22	8	15210	40320	180 g
GIL17-DO	17	46	90	14	11	30	20.7	M16	24	30	25	67	34	10	23	27	10	19170	50850	250 g
GIL20-DO	20	53	103.5	16	13	35	24.2	M20X1,5	27.5	35	29	77	40	10	27	32	9	26640	68040	360 g
GIL25-DO	25	64	126	20	17	42	29.3	M24X2	33.5	42	35.5	94	48	12	32	36	7	43470	79470	660 g
GIL30-DO	30	73	146.5	22	19	47	34.2	M30X2	40	50	40.7	110	56	15	37	41	6	56070	107100	980 g