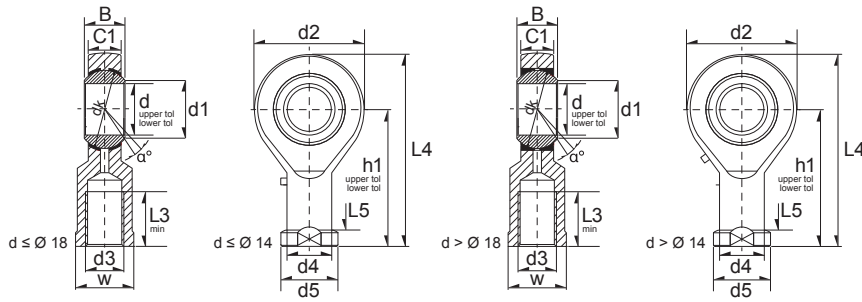


# Wartungspflichtige Gelenkköpfe / Rod Ends (RM)



(MF) = Maintenance Free  
(RM) = Requiring Maintenance

12

Ref	Dimension (mm)																α°	*Load Rating		Weight (g) approx.
	d	d2	L4	B	C1	D	d1	d3	d4	d5	dK	h1	L3	L5	L7	W		C, dyn. N	C, stat. N	
GIKR5-PB	5	18	36	8	6	13	7.7	M5X0,8	8.5	11	11.11	27	10	4	10	9	13	2925	8262	16 g
GIKR6-PB	6	20	40	9	6.75	16	9	M6	10	13	12.7	30	12	5	11	11	13	3888	7191	29 g
GIKR8-PB	8	24	48	12	9	19	10.4	M8	12.5	16	15.875	36	16	5	13	14	14	6426	11790	50 g
GIKR10-PB	10	28	57	14	10.5	22	12.9	M10	15	19	19.05	43	20	6.6	15	17	13	9000	16650	81 g
GIKR12-PB	12	32	66	16	12	26	15.4	M12	17.5	22	22.225	50	22	6.5	17	19	13	11970	18720	130 g
GIKR14-PB	14	36	75	19	13.5	28	16.9	M14	21	26	25.4	57	25	8	18	22	16	15390	28800	190 g
GIKR16-PB	16	42	85	21	15	32	19.4	M16	22	28	28.575	64	28	8	23	22	15	19260	40770	250 g
GIKR18-PB	18	46	94	23	16.5	35	21.8	M18X1,5	25	31	31.75	71	32	10	25	27	15	23580	42300	320 g
GIKR20-PB	20	50	102	25	18	40	24.4	M20X1,5	27.5	35	34.925	77	33	10	26	30	14	28260	41040	430 g
GIKR22-PB	22	54	111	28	20	42	25.8	M22X1,5	30	38	38.1	84	37	12	29	32	15	34290	54990	540 g
GIKR25-PB	25	60	124	31	22	47	29.6	M24X2	33.5	42	42.85	94	42	12	32	36	15	42390	65610	760 g
GIKR30-PB	30	70	145	37	25	55	34.8	M30X2	40	50	50.8	110	51	15	37	41	17	57150	86310	1180 g

Ref	Dimension (mm)																α°	*Load Rating		Weight (g) approx.
	d	d2	L4	B	C1	D	d1	d3	d4	d5	dK	h1	L3	L5	L7	W		C, dyn. N	C, stat. N	
GIKL5-PB	5	18	36	8	6	13	7.7	M5X0,8	8.5	11	11.11	27	10	4	10	9	13	2925	8262	16 g
GIKL6-PB	6	20	40	9	6.75	16	9	M6	10	13	12.7	30	12	5	11	11	13	3888	7191	29 g
GIKL8-PB	8	24	48	12	9	19	10.4	M8	12.5	16	15.875	36	16	5	13	14	14	6426	11790	50 g
GIKL10-PB	10	28	57	14	10.5	22	12.9	M10	15	19	19.05	43	20	6.6	15	17	13	9000	16650	81 g
GIKL12-PB	12	32	66	16	12	26	15.4	M12	17.5	22	22.225	50	22	6.5	17	19	13	11970	18720	130 g
GIKL14-PB	14	36	75	19	13.5	28	16.9	M14	21	26	25.4	57	25	8	18	22	16	15390	28800	190 g
GIKL16-PB	16	42	85	21	15	32	19.4	M16	22	28	28.575	64	28	8	23	22	15	19260	40770	250 g
GIKL18-PB	18	46	94	23	16.5	35	21.8	M18X1,5	25	31	31.75	71	32	10	25	27	15	23580	42300	320 g
GIKL20-PB	20	50	102	25	18	40	24.4	M20X1,5	27.5	35	34.925	77	33	10	26	30	14	28260	41040	430 g
GIKL22-PB	22	54	111	28	20	42	25.8	M22X1,5	30	38	38.1	84	37	12	29	32	15	34290	54990	540 g
GIKL25-PB	25	60	124	31	22	47	29.6	M24X2	33.5	42	42.85	94	42	12	32	36	15	42390	65610	760 g
GIKL30-PB	30	70	145	37	25	55	34.8	M30X2	40	50	50.8	110	51	15	37	41	17	57150	86310	1180 g