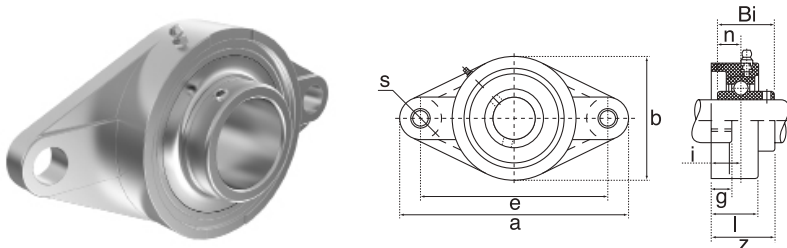
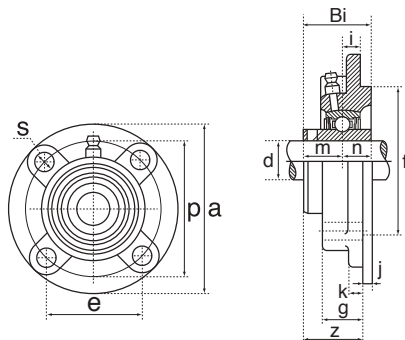


Rostfreie Gehäuse / Stainless Steel Pillow Blocks



8

Ref Type	a	e	i	b	l	g	s	Weight Kg	Bearing No.
SFL201	113.0	90.0	15.0	60.0	25.5	11.0	12.0	0.32 kg	SUC201
SFL202	113.0	90.0	15.0	60.0	25.5	11.0	12.0	0.32 kg	SUC202
SFL203	113.0	90.0	15.0	60.0	25.5	11.0	12.0	0.32 kg	SUC203
SFL204	113.0	90.0	15.0	60.0	25.5	11.0	12.0	0.32 kg	SUC204
SFL205	130.0	99.0	16.0	68.0	27.0	13.0	16.0	0.44 kg	SUC205
SFL206	148.0	117.0	18.0	80.0	31.0	13.0	16.0	0.58 kg	SUC206
SFL207	161.0	130.0	19.0	90.0	34.0	14.0	16.0	0.74 kg	SUC207
SFL208	175.0	144.0	21.0	100.0	36.0	14.0	16.0	0.99 kg	SUC208
SFL209	188.0	148.0	22.0	108.0	38.0	15.0	19.0	1.16 kg	SUC209
SFL210	197.0	157.0	22.0	114.6	40.0	15.0	19.0	1.36 kg	SUC210
SFL211	224.0	184.0	25.0	130.0	43.0	18.0	19.0	2.20 kg	SUC211
SFL212	250.0	202.0	29.0	138.5	48.0	18.0	23.0	2.65 kg	SUC212



Ref Type	d	a	p	e	i	s	j	k	g	f	z	Bi	n	Weight Kg	Bearing No.
SFC201	12.0	100.0	78.0	55.1	10.0	12.0	5.0	7.0	20.5	62.0	28.3	31.0	12.7	0.72 kg	SUC201
SFC202	15.0	100.0	78.0	55.1	10.0	12.0	5.0	7.0	20.5	62.0	28.3	31.0	12.7	0.72 kg	SUC202
SFC203	17.0	100.0	78.0	55.1	10.0	12.0	5.0	7.0	20.5	62.0	28.3	31.0	12.7	0.72 kg	SUC203
SFC204	20.0	100.0	78.0	55.1	10.0	12.0	5.0	7.0	20.5	62.0	28.3	31.0	12.7	0.72 kg	SUC204
SFC205	25.0	115.0	90.0	63.6	10.0	12.0	6.0	7.0	21.0	70.0	29.8	34.1	14.3	0.98 kg	SUC205
SFC206	30.0	125.0	100.0	70.7	10.0	12.0	8.0	8.0	23.0	80.0	32.2	38.1	15.9	1.3 kg	SUC206
SFC207	35.0	135.0	110.0	77.8	11.0	14.0	8.0	9.0	26.0	90.0	36.4	42.9	17.5	1.8 kg	SUC207
SFC208	40.0	145.0	120.0	84.8	11.0	14.0	10.0	9.0	26.0	100.0	41.2	42.9	19	2.0 kg	SUC208
SFC209	45.0	158.7	132.0	93.3	10.0	16.0	12.0	14.0	26.0	105.0	40.2	49.2	19	2.9 kg	SUC209
SFC210	50.0	163.0	138.0	97.6	10.0	16.0	12.0	14.0	28.0	110.0	42.6	51.6	19	2.9 kg	SUC210
SFC211	55.0	185.0	150.0	106.1	13.0	19.0	12.0	15.0	31.0	125.0	46.4	55.6	22.2	4.5 kg	SUC211
SFC212	60.0	193.5	160.0	113.1	17.0	19.0	12.0	15.0	36.0	135.0	56.7	65.1	25.4	5.1 kg	SUC212

Dimensions are accurate at the time of document creation but may vary