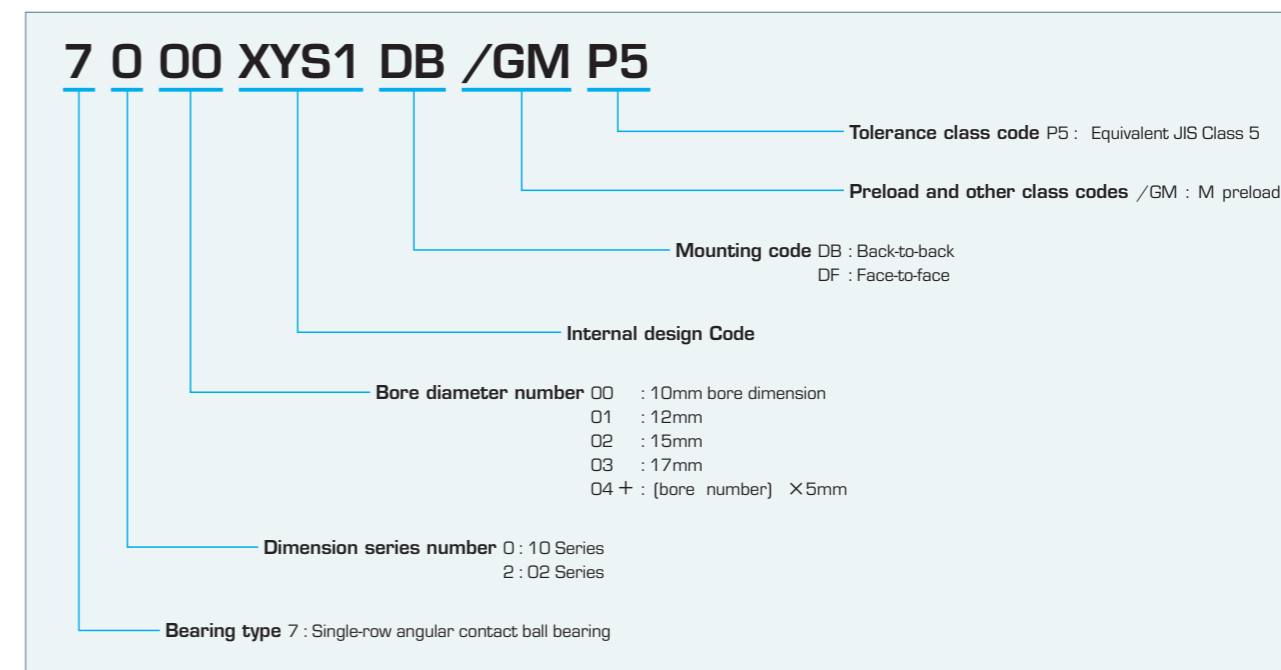


# Ball Screw Support Bearings

## XYS1 Series



### Nomenclature of Bearing Numbers



#### Features

- Improved load capacity and critical axial load in the same dimensions as the standard angular contact ball bearings 70 Series and 72 Series. The peripheral components can be replaced as is.
- Combination bearings are provided with preset preloads, eliminating the need for troublesome installation adjustment using shims and torque measurements.

#### Contact Angle

- The contact angle is 30°.

#### Cage

- A ball guide polyamide resin cage is provided as standard. The polyamide resin cage should be used under temperatures lower than 120°.

#### Dimensional Accuracy, Rotational Accuracy

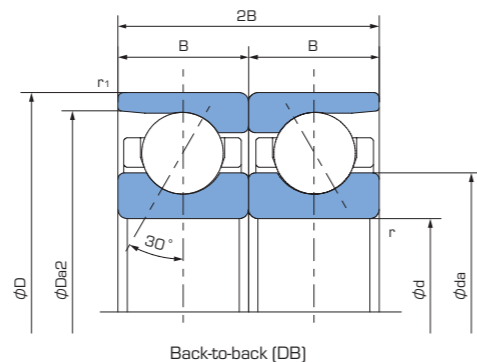
- Equivalent JIS Class 5 is standard. See page 10 for details.

#### Preload

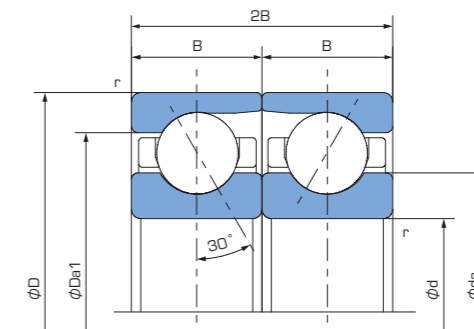
- M preload as standard. See page 25 for details.

# Ball Screw Support Bearings

XYS1 Series



Back-to-back (DB)



Face-to-face (DF)

Bearing No.	Boundary dimensions (mm)					Basic dynamic load rating <b>Ca</b> (kN)	Basic static load rating <b>Ca</b> (kN)	Axial limiting load (kN)	Limiting speed (min <sup>-1</sup> ) Grease lubrication	Reference dimensions (mm)			Mass (kg) (Reference)	Bearing No.
	d	D	B	r <sub>min</sub>	r <sub>1 min</sub>					da	Da <sub>1</sub>	Da <sub>2</sub>		
<b>7000XYS1</b>	10	26	8	0.3	0.15	6.20	8.09	3.35		15.7	20.4	23.0	0.019	<b>7000XYS1</b>
<b>7001XYS1</b>	12	28	8	0.3	0.15	6.65	92.9	3.70		17.7	22.4	25.0	0.021	<b>7001XYS1</b>
<b>7002XYS1</b>	15	32	9	0.3	0.15	8.80	12.7	5.50		20.9	26.3	29.3	0.028	<b>7002XYS1</b>
<b>7003XYS1</b>	17	35	10	0.3	0.15	9.30	14.3	6.01		23.3	28.8	31.9	0.040	<b>7003XYS1</b>
<b>7004XYS1</b>	20	42	12	0.6	0.30	13.2	21.0	9.27		27.9	34.4	38.0	0.070	<b>7004XYS1</b>
<b>7203XYS1</b>	17	40	12	0.6	0.30	13.8	20.6	9.36		25.6	32.6	36.4	0.067	<b>7203XYS1</b>
<b>7204XYS1</b>	20	47	14	1.0	0.60	18.6	27.5	11.4		29.8	38.4	43.1	0.099	<b>7204XYS1</b>
<b>7205XYS1</b>	25	52	15	1.0	0.60	21.0	34.9	14.7		34.9	43.4	48.2	0.122	<b>7205XYS1</b>
<b>7206XYS1</b>	30	62	16	1.0	0.60	28.4	48.8	18.9		41.5	51.7	57.3	0.188	<b>7206XYS1</b>

Dimension Tables

Types and Designs

7900/7000/7200

BNH

TAH/TBH

NN3000/NNU4900

XRN/XRG

TAB/TAU/TAFX/XYS1/W1