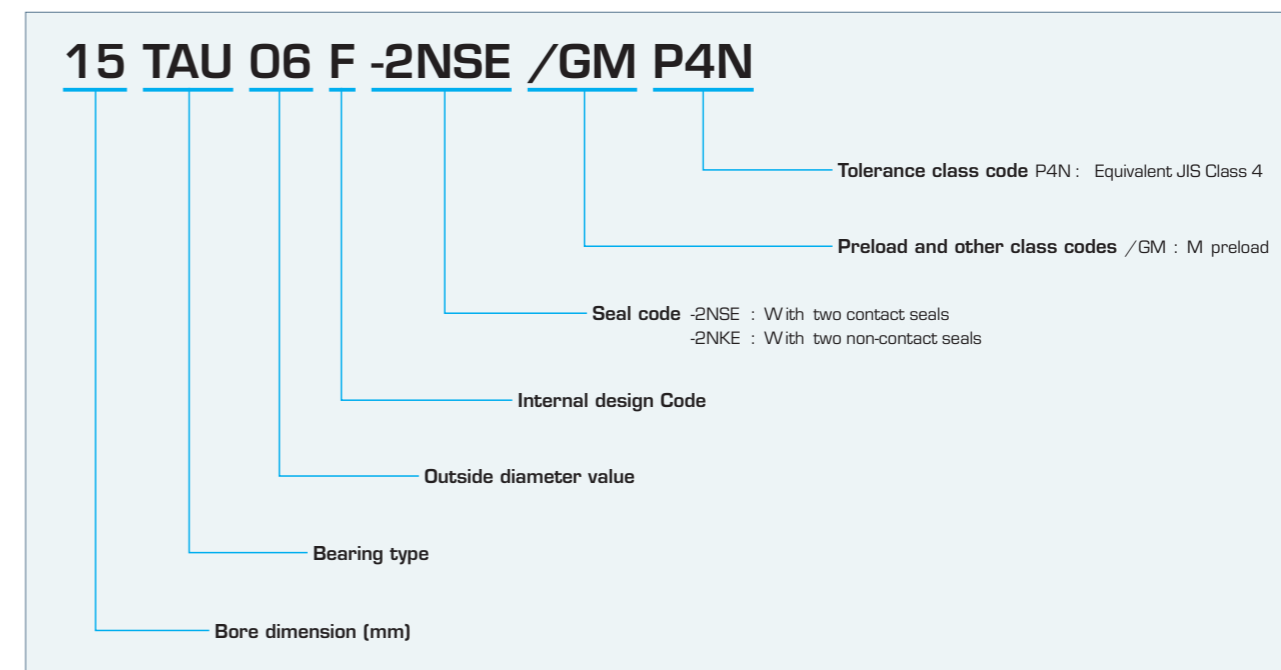


Ball Screw Support Bearings

TAU Series



Nomenclature of Bearing Numbers



Features

- Perimeter structures combined in housing and outer ring integrated to improve maintainability, and form is more compact.
- Re-greasing when needed is possible through grease port.
- Contact seal is standard with high grade grease retention and intrusion protection.

Contact Angle

- The contact angle is 60°.

Cage

- A ball guide polyamide resin cage is provided as standard. The polyamide resin cage should be used under temperatures lower than 120°.

Accuracy

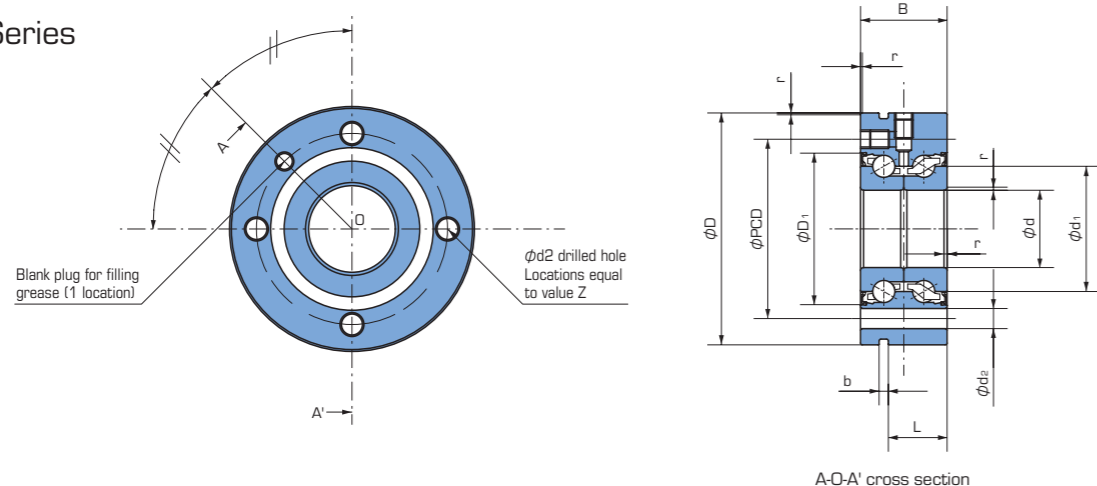
- Equivalent JIS Class 4 is standard. See page 13 for details.

Preload

- M preload as standard. See page 23 for details.

Ball Screw Support Bearings

TAU Series



Bearing No.	Boundary dimensions (mm)				Basic dynamic load rating Ca (kN)	Axial limiting load (kN)	Limiting speed (min ⁻¹)	Reference dimensions (mm)							Mass (kg) (Reference)	Bearing No.
	d	D	B	r _{min}				d ₁	D ₁	PCD	d ₂	Z	L	b		
15TAU06F	15	60	25	0.6	19.0	20.0	7,000	27.4	35.8	46	6.8	3	17	3	0.45	15TAU06F
17TAU06F	17	62	25	0.6	20.8	23.7	6,500	30.4	38.8	48	6.8	3	17	3	0.46	17TAU06F
20TAU06F	20	68	28	0.6	26.0	29.9	5,800	32.9	42.0	53	6.8	4	19	3	0.63	20TAU06F
25TAU07F	25	75	28	0.6	27.6	34.5	5,100	38.0	48.2	58	6.8	4	19	3	0.73	25TAU07F
30TAU08F	30	80	28	0.6	29.2	39.5	4,600	43.0	53.2	63	6.8	6	19	3	0.82	30TAU08F
30TAU10F	30	100	38	0.6	62.5	76.5	4,100	50.0	64.8	80	8.8	8	30	3	1.70	30TAU10F
35TAU09F	35	90	34	0.6	42.0	58.5	3,900	51.5	63.3	75	8.8	4	25	3	1.17	35TAU09F
40TAU10F	40	100	34	0.6	43.0	62.0	3,600	55.5	67.3	80	8.8	4	25	3	1.47	40TAU10F
40TAU11F	40	115	46	0.6	81.0	107	3,200	63.7	81.4	94	8.8	12	36	3	2.52	40TAU11F
50TAU11F	50	115	34	0.6	46.5	76.5	3,000	68.7	81.8	94	8.8	6	25	3	1.86	50TAU11F
50TAU14F	50	140	54	0.6	113	159	2,600	77.7	97.8	113	11.0	12	45	3	4.44	50TAU14F
60TAU14F	60	145	45	0.6	91.0	140	2,400	83.7	101.4	120	8.8	8	35	3	3.87	60TAU14F