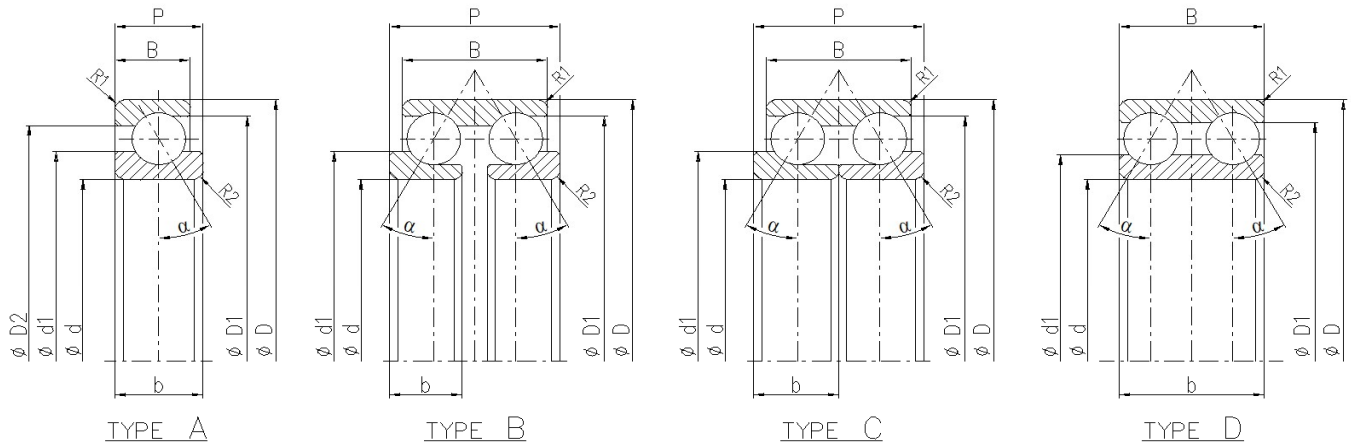


DO NOT USE THESE DRAFT DRAWINGS TO ORDER BEARINGS.
ASK CPM TECHNICAL SERVICE FOR DETAILED DRAWINGS
AND FOR DIFFERENT DIMENSIONS OR TYPES.

d	D	B	b	P	D1	D2	d1	R1	R2	α	BASIC DYNAMIC LOAD RATING Cr kN	BASIC STATIC LOAD RATING Cor kN	TYPE	P / N
15,9	37,0	21,0	21,0	-	33,6	-	22,4	0,3	0,3	40°	10,1	9,7	C	2918
96,0	152,4	45,0	23,0	46,0	132,8	-	120,2	1,5	1,5	35°	47,0	63,8	C	2075
96,0	152,4	45,0	23,0	46,0	141,2	-	116,0	1,5	1,5	30°	130,1	151,0	C	2440
96,0	152,4	45,0	23,0	46,0	135,5	-	135,6	1,5	1,5	30°	96,7	121,8	C	2497
100,0	125,0	29,0	29,0	-	116,9	-	107,4	0,5	1,0	20°	34,8	43,8	D	2182
110,0	140,0	30,0	30,0	-	131,0	-	119,7	1,0	1,0	20°	43,0	57,0	D	2485
130,0	172,0	38,0	38,0	-	162,0	-	143,0	1,5	1,5	30°	86,7	109,8	D	2194
175,0	245,0	53,0	30,0	78,0	235,0	-	200,0	1,0	3,1	30°	300,0	435,0	B	2474
180,0	250,0	46,0	35,5	71,0	239,5	-	205,0	1,2	3,1	30°	307,0	456,0	C	2712
200,0	255,0	32,0	16,0	32,0	237,5	-	224,5	2,5	2,0	35°	70,2	132,0	C	2517
200,0	250,0	22,0	22,0	-	229,5	-	220,5	1,5	1,5	20°	44,7	83,7	D	2847
205,0	285,0	56,0	35,0	84,0	268,3	-	234,0	1,1	2,5	30°	325,0	520,0	B	2539
230,0	312,0	51,00	32,00	85,0	300,70	-	260,00	1,1	2,5	30°	395,0	670,0	B	2441
304,8	402,0	38,00	50,80	50,8	384,80	367,0	340,00	1,0	5,5	30°	304,5	487,6	A	2708
304,8	342,9	19,05	19,05	-	327,85	-	319,9	2,0	2,0	15°	39,4	89,5	D	2784



DO NOT USE THESE DRAFT DRAWINGS TO ORDER BEARINGS.
ASK CPM TECHNICAL SERVICE FOR DETAILED DRAWINGS
AND FOR DIFFERENT DIMENSIONS OR TYPES.

d	D	B	b	P	D1	D2	d1	R1	R2	α	BASIC DYNAMIC LOAD RATING Cr kN	BASIC STATIC LOAD RATING Cor kN	TYPE	P / N
320,0	420,0	80,0	35,00	105,0	396,4	-	360,00	1,0	2,5	35°	425,0	835,0	B	2571
330,0	423,0	38,0	50,0	50,0	407,5	386,0	365,0	1,0	5,5	30°	294,0	480,0	A	2713
355,0	435,0	33,0	40,6	40,0	424,0	400,5	394,4 369	3,0	3,0	40°	219,0	351,0	A	2925