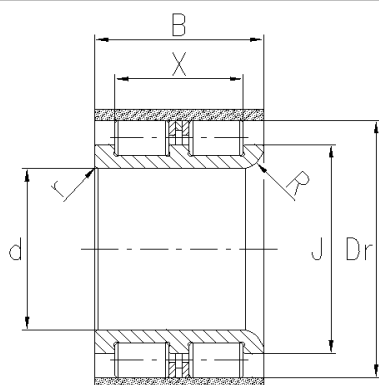
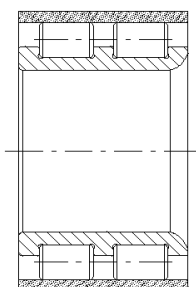


DO NOT USE THESE DRAFT DRAWINGS TO ORDER BEARINGS.
ASK CPM TECHNICAL SERVICE FOR DETAILED DRAWINGS
AND FOR DIFFERENT DIMENSIONS OR TYPES.

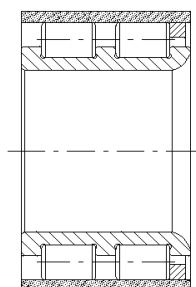
d	Dr	B	J	X	R min.	r min.	BASIC DYNAMIC RADIAL LOAD RATING	BASIC STATIC RADIAL LOAD RATING	TYPE	P / N
							Cr kN	Cor kN		
60	83,830	65,0	71,0 76,5	53,8	6,3	0,3	219,9	398,5	A	2805
60	89,870	52,0	76,0	44,6	4,0	0,3	200,0	327,0	A	2878
60	89,800	52,0	72,6	42,6	4,0	0,3	206,1	311,0	A	2799
65	89,800	48,0	78,5	40,6	4,0	0,3	173,5	329,3	A	2656
65	89,800	48,0	78,5	40,5	4,0	0,3	173,5	329,3	A	2862
65	93,090	46,0	78,5	39,0	4,0	1,1	199,0	322,0	D	2652-2783
65	93,090	46,0	78,5	39,0	4,0	1,1	199,0	322,0	D	2816-2915
65	93,100	58,0	78,5	49,6	3,5	0,3	237,6	422,7	A	2527
65	109,660	110,0	83,0	83,7	1,5	1,5	442,1	677,0	D	2617 - 2866
65	109,660	110,0	83,0	83,7	1,5	1,5	442,1	677,0	D	2866
70	95,290	54,0	82,2	43,6	4,0	1,0	197,0	362,0	A	2700 - 2702
70	100,280	54,0	81,5	42,0	1,1	1,1	226,0	357,0	C	2507
75	115,780	62,0	92,5	52,0	3,5	1,5	317,0	491,0	D	2893
75	115,780	31x2	92,5	53,0	3,5	1,5	317,0	491,0	A	2735
75	127,550	120,0	98,7	90,6	2,0	2,0	534,0	870,0	D	2640
80	99,930	52,9	91,2	44,0	4,0	0,5	169,0	388,0	A	2880



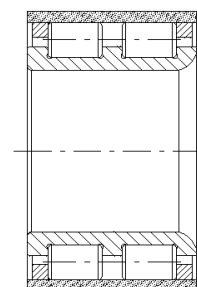
TYPE A
2 flange rings
+ 1 snap ring



TYPE B
without flange rings



TYPE C
1 side ring



TYPE D
2 side rings

DO NOT USE THESE DRAFT DRAWINGS TO ORDER BEARINGS.
ASK CPM TECHNICAL SERVICE FOR DETAILED DRAWINGS
AND FOR DIFFERENT DIMENSIONS OR TYPES.

d	Dr	B	J	X	R min.	r min.	BASIC DYNAMIC RADIAL	BASIC STATIC RADIAL	TYPE	P / N
							LOAD RATING	LOAD RATING		
							Cr kN	Cor kN		
80	111,760	62,0	93,0	52,0	4,0	1,0	290,0	505,0	A	2703
80	112,750	60,0	93,1	50,0	1,1	1,1	274,0	449,0	A	2610
80	112,750	60,0	93,1	50,1	1,5	1,5	274,0	449,0	D	2854
80	122,100	70,0	96,0	60,0	4,2	0,3	377,0	583,0	A	2657
80	141,920	130,0	106,7	100,6	2,0	2,0	716,0	1140,0	D	2641
85	121,400	70,0	100,0	60,0	1,1/5,5	1,1/5,5	369,0	638,0	A	2633
85	121,400	70,0	100,0	60,0	4,9	1,1	369,0	638,0	A	2899
85	121,440	60,0	100,0	47,0	1,1	1,1	292,3	473,2	B	2929
85	121,440	60,0	100,0	49,0	4,0	1,0	297,2	483,4	A	2682
85	121,440	68,0	99,6	56,0	5,5	2,0	322,0	535,0	A	2815
90	130,110	72,0	106,8	58,7	5,0	1,5	346,0	573,0	A	2734
95	155,870	150,0	120,6	118,6	2,0	2,0	832,0	1426,0	D	2642 - 2867
100	139,650	67,0	116,2	52,0	5,0	1,1	420,0	628,0	A	2814
100	139,650	67,0	116,2	52,2	5,0	1,1	420,0	628,0	B	2887
100	139,660	62,0	116,4	52,0	4,0	0,3	364,4	628,0	A	2841
100	187,303	180,0	133,0	147,6	4,0	4,0	1400,0	2150,0	D	2870