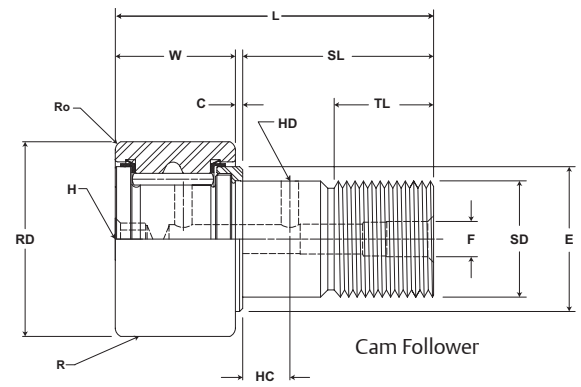


MCGILL® Inch Cam Follower Bearings



- Basic Construction Type:** Stud Type Crowned / Cylindrical Outside Diameter
- Rolling Elements:** Full Complement Needle Roller
- Bearing Material:** Bearing Quality Steel
- Seal Type:** LUBRI-DISC®
- Lubrication:** Lithium Soap Grease NLGI #2
- System Configuration:** Concentric / Eccentric / Heavy Stud
- Mounting Feature:** Slot / Hex Hole



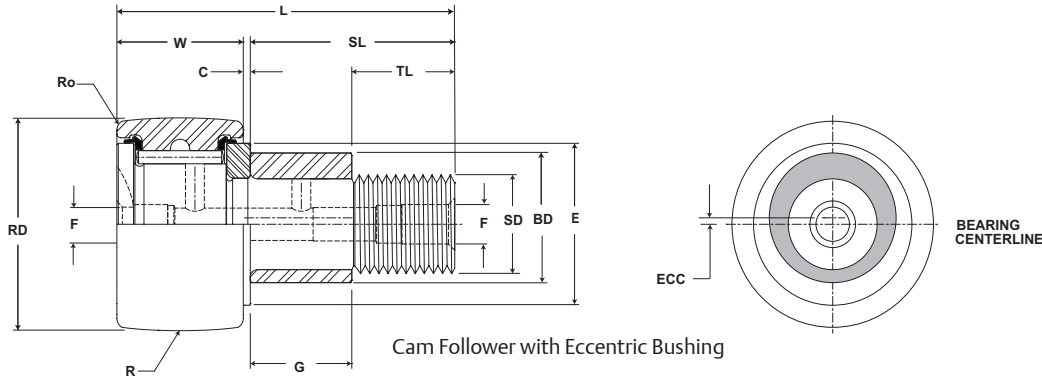
CF, CFE, CFH

Part No.		RD		W		SD		SL	C	TL	L	R	ECC	G	BD	Track Roller Dynamic Rating	Track Roller Static Rating
W/O Seals	With LUBRI-DISC Seals	Roller Diameter		Roller Width		Stud Diameter		Stud Length	Endplate Extension	Min Thread Length	Length Overall	Crown Prefix CCF-XX	Eccentric Base Modifier CFE-XX				
		inch mm		inch mm		inch mm		inch mm		inch mm		inch mm	inch mm				
		Nom.	Tol.	Nom.	Tol.	Nom.	Tol.	(Ref)	(Ref)	(Ref)	(Ref)	Radius (Ref)	(Ref)	+0/-0.010	±.001		
CF 2 1/2	CF 2 1/2 S	2.500 63.50	+0/-0.001 +0/-0.03	1.500 38.10	+0 / -0.005 +0 / -0.13	1.000 25.40	+0.01/-0 +0.03/-0	2.25 57.2	.031 .8	1.125 28.57	3.78 96.0	Cylindrical	N/A	N/A	N/A	11,720 52,131	16,450 73,170
CF 2 1/2 B	CF 2 1/2 SB											30					
CCF 2 1/2	CCF 2 1/2 S											762					
CCF 2 1/2 B	CCF 2 1/2 SB																
CFE 2 1/2	CFE 2 1/2 S	2.500 63.50	+0/-0.001 +0/-0.03	1.500 38.10	+0 / -0.005 +0 / -0.13	1.000 25.40	+0.01/-0 +0.03/-0	2.25 57.2	.031 .8	1.125 28.57	3.78 96.0	Cylindrical	.030 .76	1.125 28.58	1.375 34.93	11,720 52,131	16,450 73,170
CFE 2 1/2 B	CFE 2 1/2 SB											30					
CCFE 2 1/2	CCFE 2 1/2 S											762					
CCFE 2 1/2 B	CCFE 2 1/2 SB																
CFH 2 1/2	CFH 2 1/2 S	2.500 63.50	+0/-0.001 +0/-0.03	1.500 38.10	+0 / -0.005 +0 / -0.13	1.250 31.75	+0.01/-0 +0.03/-0	2.25 57.2	.031 .8	1.125 28.57	3.78 96.0	Cylindrical	N/A	N/A	N/A	11,720 52,131	32,900 146,339
CFH 2 1/2 B	CFH 2 1/2 SB											30					
CCFH 2 1/2	CCFH 2 1/2 S											762					
CCFH 2 1/2 B	CCFH 2 1/2 SB																
CF 2 3/4	CF 2 3/4 S	2.750 69.85	+0/-0.001 +0/-0.03	1.500 38.10	+0 / -0.005 +0 / -0.13	1.000 25.40	+0.01/-0 +0.03/-0	2.25 57.2	.031 .8	1.125 28.57	3.78 96.0	Cylindrical	N/A	N/A	N/A	11,720 52,131	16,450 73,170
CF 2 3/4 B	CF 2 3/4 SB											30					
CCF 2 3/4	CCF 2 3/4 S											762					
CCF 2 3/4 B	CCF 2 3/4 SB																
CFE 2 3/4	CFE 2 3/4 S	2.750 69.85	+0/-0.001 +0/-0.03	1.500 38.10	+0 / -0.005 +0 / -0.13	1.000 25.40	+0.01/-0 +0.03/-0	2.25 57.2	.031 .8	1.125 28.57	3.78 96.0	Cylindrical	.030 .76	1.125 28.58	1.375 34.93	11,720 52,131	16,450 73,170
CFE 2 3/4 B	CFE 2 3/4 SB											30					
CCFE 2 3/4	CCFE 2 3/4 S											762					
CCFE 2 3/4 B	CCFE 2 3/4 SB																
CFH 2 3/4	CFH 2 3/4 S	2.750 69.85	+0/-0.001 +0/-0.03	1.500 38.10	+0 / -0.005 +0 / -0.13	1.250 31.75	+0.01/-0 +0.03/-0	2.25 57.2	.031 .8	1.125 28.57	3.78 96.0	Cylindrical	N/A	N/A	N/A	11,720 52,131	32,900 146,339
CFH 2 3/4 B	CFH 2 3/4 SB											30					
CCFH 2 3/4	CCFH 2 3/4 S											762					
CCFH 2 3/4 B	CCFH 2 3/4 SB																

Metric dimensions for reference only.
Hex wrench size for "Broached" version is located in the wrench size chart on page B-156.

Not all parts are available from stock. Please contact customer service for availability (800) 626-2120.
For more information on bearing capabilities outside of our standard offering, please contact Application Engineering (800) 626-2093.

Inch Cam Follower Bearings **McGILL**



CF, CFE, CFH

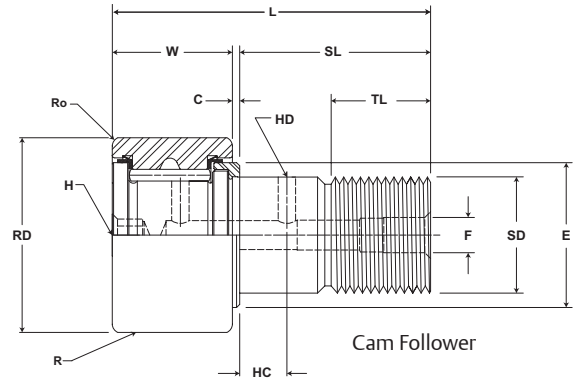
Part No.		HC	HD	F	E	Ro	HBD		Thread Type	Clamping Torque	Limiting Speed (Grease)	WT
W/O Seals	With LUBRI-DISC Seals	Hole Center	Radial Hole Diameter	Axial Hole Dia or Fitting	Min Boss Diameter	Outer Corner	Housing Bore Diameter					
		inch mm			inch mm		inch mm					
		(Ref)	(Ref)	(Ref)	(Ref)	(Ref)	Nom.	Tol.	in-lb Nm	RPM	lb kg	
CF 2 1/2	CF 2 1/2 S	.5625 14	.125 3	.1875 5	1.688 42.86	.094 2.38	1.0003 25.408	+.0002/- .0003 +.0005/- .0008	1-14	2,250 254	1,100	2.50 1.13
CF 2 1/2 B	CF 2 1/2 SB					N/A						
CCF 2 1/2	CCF 2 1/2 S											
CCF 2 1/2 B	CCF 2 1/2 SB											
CFE 2 1/2	CFE 2 1/2 S	.5625 14	.125 3	.1875 5	1.688 42.86	.094 2.38	1.378 35.00	+.001/- .001 +.025/- .025	1 1/4-12	3,450 390	1,100	2.75 1.25
CFE 2 1/2 B	CFE 2 1/2 SB					N/A						
CCFE 2 1/2	CCFE 2 1/2 S											
CCFE 2 1/2 B	CCFE 2 1/2 SB											
CFH 2 1/2	CFH 2 1/2 S	.5625 14	.125 3	.1875 5	1.688 42.86	.094 2.38	1.2503 31.758	+.0002/- .0003 +.0005/- .0008	1 1/4-12	3,450 390	1,100	2.75 1.25
CFH 2 1/2 B	CFH 2 1/2 SB					N/A						
CCFH 2 1/2	CCFH 2 1/2 S											
CCFH 2 1/2 B	CCFH 2 1/2 SB											
CF 2 3/4	CF 2 3/4 S	.5625 14	.125 3	.1875 5	1.688 42.86	.094 2.38	1.0003 25.408	+.0002/- .0003 +.0005/- .0008	1-14	2,250 254	1,050	2.93 1.33
CF 2 3/4 B	CF 2 3/4 SB					N/A						
CCF 2 3/4	CCF 2 3/4 S											
CCF 2 3/4 B	CCF 2 3/4 SB											
CFE 2 3/4	CFE 2 3/4 S	.5625 14	.125 3	.1875 5	1.688 42.86	.094 2.38	1.378 35.00	+.001/- .001 +.025/- .025	1 1/4-12	3,450 390	1,050	3.19 1.47
CFE 2 3/4 B	CFE 2 3/4 SB					N/A						
CCFE 2 3/4	CCFE 2 3/4 S											
CCFE 2 3/4 B	CCFE 2 3/4 SB											
CFH 2 3/4	CFH 2 3/4 S	.5625 14	.125 3	.1875 5	1.688 42.86	.094 2.38	1.2503 31.758	+.0002/- .0003 +.0005/- .0008	1 1/4-12	3,450 390	1,050	3.19 1.47
CFH 2 3/4 B	CFH 2 3/4 SB					N/A						
CCFH 2 3/4	CCFH 2 3/4 S											
CCFH 2 3/4 B	CCFH 2 3/4 SB											

For positive clamping, use housing thickness equal to G dimension $\pm .010$ ".
Clamping torque is based on dry threads. If threads are lubricated, use half of value shown.
Hex wrench size for "Broached" version is located in the wrench size chart on page B-156.

McGILL® Inch Cam Follower Bearings



- Basic Construction Type:** Stud Type Crowned / Cylindrical Outside Diameter
- Rolling Elements:** Full Complement Needle Roller
- Bearing Material:** Bearing Quality Steel
- Seal Type:** LUBRI-DISC®
- Lubrication:** Lithium Soap Grease NLGI #2
- System Configuration:** Concentric / Eccentric / Heavy Stud
- Mounting Feature:** Slot / Hex Hole



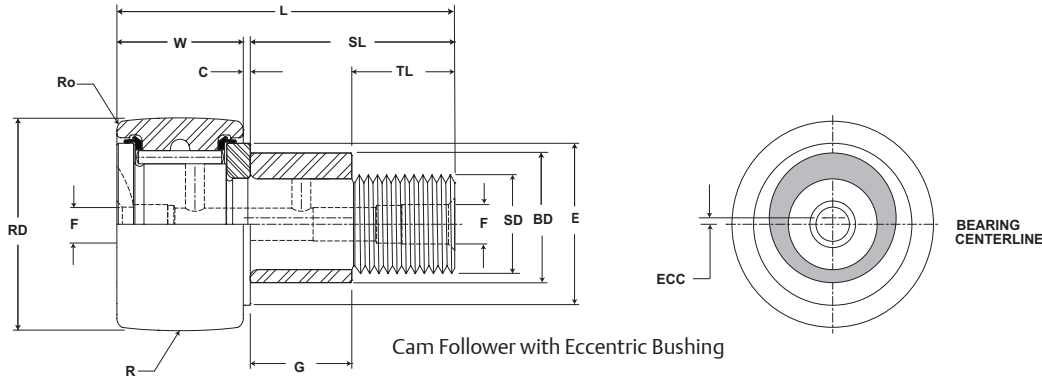
CF, CFE, CFH

Part No.		RD		W		SD		SL	C	TL	L	R	ECC	G	BD	Track Roller Dynamic Rating	Track Roller Static Rating	
W/O Seals	With LUBRI-DISC Seals	Roller Diameter		Roller Width		Stud Diameter		Stud Length	Endplate Extension	Min Thread Length	Length Overall	Crown Prefix CCF-XX	Eccentric Base Modifier CFE-XX					
		inch mm		inch mm		inch mm		inch mm		inch mm		inch mm		inch mm				
		Nom.	Tol.	Nom.	Tol.	Nom.	Tol.	(Ref)	(Ref)	(Ref)	(Ref)	Radius (Ref)	(Ref)	+0/-0.010	±.001			lb/N
CF 3	CF 3 S	3.000 76.20	+0/-0.001 +0/-0.03	1.750 44.45	+0 / -0.005 +0 / -0.13	1.250 31.75	+0.01/-0 +0.03/-0	2.50 63.5	.031 .8	1.25 31.75	4.28 108.7	Cylindrical	N/A	N/A	N/A	15,720 69,923	24,910 110,800 24,910 110,800	
CF 3 B	CF 3 SB											30						
CCF 3	CCF 3 S											762						
CCF 3 B	CCF 3 SB																	
CFE 3	CFE 3 S	3.000 76.20	+0/-0.001 +0/-0.03	1.750 44.45	+0 / -0.005 +0 / -0.13	1.250 31.75	+0.01/-0 +0.03/-0	2.50 63.5	.031 .8	1.25 31.75	4.28 108.7	Cylindrical	.060 .52	1.250 31.75	1.750 44.45	15,720 69,923	24,910 110,800 24,910 110,800	
CFE 3 B	CFE 3 SB											30						
CCFE 3	CCFE 3 S											762						
CCFE 3 B	CCFE 3 SB																	
CFH 3	CFH 3 S	3.000 76.20	+0/-0.001 +0/-0.03	1.750 44.45	+0 / -0.005 +0 / -0.13	1.500 38.10	+0.01/-0 +0.03/-0	2.50 63.5	.031 .8	1.25 31.75	4.28 108.7	Cylindrical	N/A	N/A	N/A	15,720 69,923	49,820 221,599 49,820 221,599	
CFH 3 B	CFH 3 SB											30						
CCFH 3	CCFH 3 S											762						
CCFH 3 B	CCFH 3 SB																	
CF 3 1/4	CF 3 1/4 S	3.250 82.55	+0/-0.001 +0/-0.03	1.750 44.45	+0 / -0.005 +0 / -0.13	1.250 31.75	+0.01/-0 +0.03/-0	2.50 63.5	.031 .8	1.25 31.75	4.28 108.7	Cylindrical	N/A	N/A	N/A	15,720 69,923	24,910 110,800 24,910 110,800	
CF 3 1/4 B	CF 3 1/4 SB											30						
CCF 3 1/4	CCF 3 1/4 S											762						
CCF 3 1/4 B	CCF 3 1/4 SB																	
CFE 3 1/4	CFE 3 1/4 S	3.250 82.55	+0/-0.001 +0/-0.03	1.750 44.45	+0 / -0.005 +0 / -0.13	1.250 31.75	+0.01/-0 +0.03/-0	2.50 63.5	.031 .8	1.25 31.75	4.28 108.7	Cylindrical	.060 .52	1.250 31.75	1.750 44.45	15,720 69,923	24,910 110,800 24,910 110,800	
CFE 3 1/4 B	CFE 3 1/4 SB											30						
CCFE 3 1/4	CCFE 3 1/4 S											762						
CCFE 3 1/4 B	CCFE 3 1/4 SB																	
CFH 3 1/4	CFH 3 1/4 S	3.250 82.55	+0/-0.001 +0/-0.03	1.750 44.45	+0 / -0.005 +0 / -0.13	1.500 38.10	+0.01/-0 +0.03/-0	2.50 63.5	.031 .8	1.25 31.75	4.28 108.7	Cylindrical	N/A	N/A	N/A	15,720 69,923	49,820 221,599 49,820 221,599	
CFH 3 1/4 B	CFH 3 1/4 SB											30						
CCFH 3 1/4	CCFH 3 1/4 S											762						
CCFH 3 1/4 B	CCFH 3 1/4 SB																	

Metric dimensions for reference only.
Hex wrench size for "Broached" version is located in the wrench size chart on page B-156.

Not all parts are available from stock. Please contact customer service for availability (800) 626-2120.
For more information on bearing capabilities outside of our standard offering, please contact Application Engineering (800) 626-2093.

Inch Cam Follower Bearings **McGILL**



CF, CFE, CFH

Part No.		HC	HD	F	E	Ro	HBD		Thread Type	Clamping Torque	Limiting Speed (Grease)	WT
W/O Seals	With LUBRI-DISC Seals	Hole Center	Radial Hole Diameter	Axial Hole Dia or Fitting	Min Boss Diameter	Outer Corner	Housing Bore Diameter					
		inch mm			inch mm		inch mm					
		(Ref)	(Ref)	(Ref)	(Ref)	(Ref)	Nom.	Tol.				
CF 3	CF 3 S	.625 16	.125 3	.25 * 6	2.125 53.98	.125 3.18	1.2503	+0.002/-0.003	1 1/4-12	3,450 390	950	4.20 1.91
CF 3 B	CF 3 SB					N/A	31.758	+0.005/-0.008				
CCF 3	CCF 3 S					N/A						
CCF 3 B	CCF 3 SB					N/A						
CFE 3	CFE 3 S	.625 16	.125 3	.25 * 6	2.125 53.98	.125 3.18	1.753	+0.01/-0.01	1 1/2-12	5,000 565	950	4.56 2.07
CFE 3 B	CFE 3 SB					N/A	38.108	+0.002/-0.003				
CCFE 3	CCFE 3 S					N/A		+0.005/-0.008				
CCFE 3 B	CCFE 3 SB					N/A						
CFH 3	CFH 3 S	.625 16	.125 3	.25 * 6	2.125 53.98	.125 3.18	1.5003	+0.002/-0.003	1 1/4-12	3,450 390	880	4.81 2.18
CFH 3 B	CFH 3 SB					N/A	31.758	+0.005/-0.008				
CCFH 3	CCFH 3 S					N/A						
CCFH 3 B	CCFH 3 SB					N/A						
CF 3 1/4	CF 3 1/4 S	.625 16	.125 3	.25 * 6	2.125 53.98	.125 3.18	1.2503	+0.002/-0.003	1 1/4-12	3,450 390	880	5.19 2.35
CF 3 1/4 B	CF 3 1/4 SB					N/A	31.758	+0.005/-0.008				
CCF 3 1/4	CCF 3 1/4 S					N/A						
CCF 3 1/4 B	CCF 3 1/4 SB					N/A						
CFE 3 1/4	CFE 3 1/4 S	.625 16	.125 3	.25 * 6	2.125 53.98	.125 3.18	1.753	+0.01/-0.01	1 1/2-12	5,000 565	880	5.19 2.35
CFE 3 1/4 B	CFE 3 1/4 SB					N/A	38.108	+0.002/-0.003				
CCFE 3 1/4	CCFE 3 1/4 S					N/A		+0.005/-0.008				
CCFE 3 1/4 B	CCFE 3 1/4 SB					N/A						
CFH 3 1/4	CFH 3 1/4 S	.625 16	.125 3	.25 * 6	2.125 53.98	.125 3.18	1.5003	+0.002/-0.003	1 1/2-12	5,000 565	880	5.19 2.35
CFH 3 1/4 B	CFH 3 1/4 SB					N/A	38.108	+0.005/-0.008				
CCFH 3 1/4	CCFH 3 1/4 S					N/A						
CCFH 3 1/4 B	CCFH 3 1/4 SB					N/A						

* Lubrication hole (F) at bottom of hex hole and 1/4 inch straight drive fitting will ball check supplied but not installed.
 For positive clamping, use housing thickness equal to G dimension $\pm .010$.
 Clamping torque is based on dry threads. If threads are lubricated, use half of value shown.
 Hex wrench size for "Broached" version is located in the wrench size chart on page B-156.