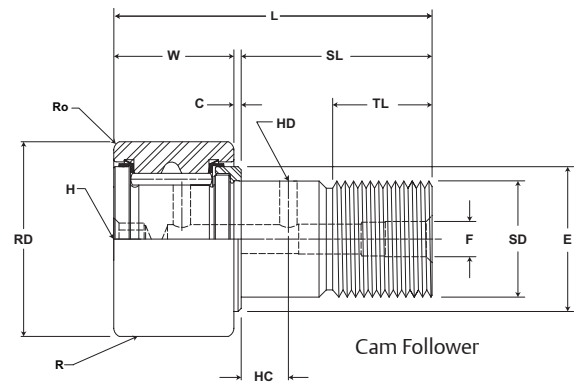


McGILL® Inch Cam Follower Bearings



- Basic Construction Type:** Stud Type Crowned / Cylindrical Outside Diameter
- Rolling Elements:** Full Complement Needle Roller
- Bearing Material:** Bearing Quality Steel
- Seal Type:** LUBRI-DISC®
- Lubrication:** Lithium Soap Grease NLGI #2
- System Configuration:** Concentric / Eccentric / Heavy Stud
- Mounting Feature:** Slot / Hex Hole

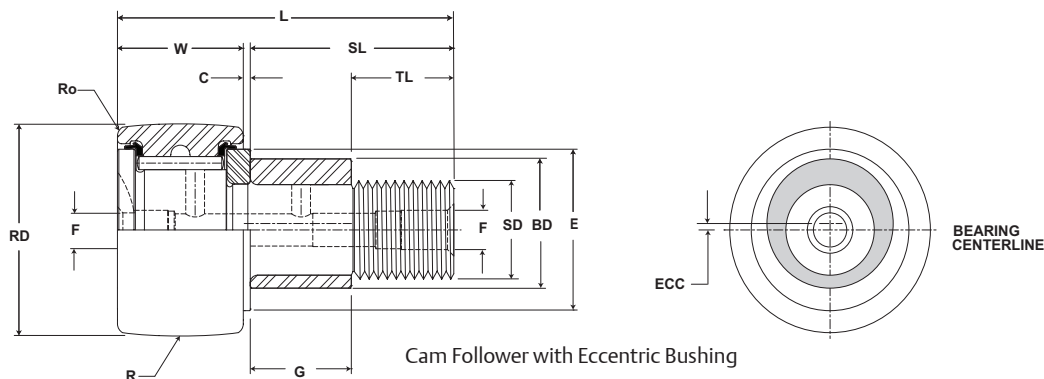


CF, CFE, CFH

Part No.		RD		W		SD		SL	C	TL	L	R	ECC	G	BD	Track Roller Dynamic Rating	Track Roller Static Rating
W/O Seals	With LUBRI-DISC Seals	Roller Diameter		Roller Width		Stud Diameter		Stud Length	Endplate Extension	Min Thread Length	Length Overall	Crown Prefix CCF-XX	Eccentric Base Modifier CFE-XX				
		inch mm		inch mm		inch mm		inch mm	inch mm	inch mm	inch mm	inch mm	inch mm				
		Nom.	Tol.	Nom.	Tol.	Nom.	Tol.	(Ref)	(Ref)	(Ref)	(Ref)	Radius (Ref)	(Ref)	+0/-0.010	±.001	lb/N	
CF 1/2	CF 1/2 S											Cylindrical				680 3,025	790 3,514
CF 1/2 B	CF 1/2 SB	.500	+0/-0.001	.375	+0 / -0.005	.190	+0.01/-0	.63	.031	.25	1.03	7 178	N/A	N/A	N/A		
CCF 1/2	CCF 1/2 S	12.70	+0/-0.03	9.53	+0 / -0.13	4.83	+0.03/-0	15.9	.8	6.4	26.2						
CCF 1/2 B	CCF 1/2 SB																
CFE 1/2	CFE 1/2 S											Cylindrical				680 3,025	790 3,514
CFE 1/2 B	CFE 1/2 SB	.500	+0/-0.001	.375	+0 / -0.005	.190	+0.01/-0	.63	.031	.25	1.03	7 178	.010	.375	.250		
CCFE 1/2	CCFE 1/2 S	12.70	+0/-0.03	9.53	+0 / -0.13	4.83	+0.03/-0	15.9	.8	6.4	26.2			9.53	6.35		
CCFE 1/2 B	CCFE 1/2 SB																
CFH 1/2	CFH 1/2 S											Cylindrical				680 3,025	1,580 7,028
CFH 1/2 B	CFH 1/2 SB	.500	+0/-0.001	.375	+0 / -0.005	.190	+0.01/-0	.63	.031	.25	1.03	7 178	N/A	N/A	N/A		
CCFH 1/2	CCFH 1/2 S	12.70	+0/-0.03	9.53	+0 / -0.13	4.83	+0.03/-0	15.9	.8	6.4	26.2						
CCFH 1/2 B	CCFH 1/2 SB																
CF 1/2 N	CF 1/2 N S											Cylindrical				620 2,758	720 3,203
CF 1/2 N B	CF 1/2 N SB	.500	+0/-0.001	.344	+0 / -0.005	.190	+0.01/-0	.50	.031	.25	.88	6 152	N/A	N/A	N/A		
CCF 1/2 N	CCF 1/2 N S	12.70	+0/-0.03	8.74	+0 / -0.13	4.83	+0.03/-0	12.7	.8	6.4	22.2						
CCF 1/2 N B	CCF 1/2 N SB																
CFE 1/2 N	CFE 1/2 N S											Cylindrical				620 2,758	720 3,203
CFE 1/2 N B	CFE 1/2 N SB	.500	+0/-0.001	.344	+0 / -0.005	.190	+0.01/-0	.50	.031	.25	.88	6 152	.010	.250	.250		
CCFE 1/2 N	CCFE 1/2 N S	12.70	+0/-0.03	8.74	+0 / -0.13	4.83	+0.03/-0	12.7	.8	6.4	22.2			6.35	6.35		
CCFE 1/2 N B	CCFE 1/2 N SB																
CF 9/16	CF 9/16 S											Cylindrical				680 3,025	790 3,514
CF 9/16 B	CF 9/16 SB	.5625	+0/-0.001	.375	+0 / -0.005	.190	+0.01/-0	.63	.031	.25	1.03	7 178	N/A	N/A	N/A		
CCF 9/16	CCF 9/16 S	14.29	+0/-0.03	9.53	+0 / -0.13	4.83	+0.03/-0	15.9	.8	6.4	26.2						
CCF 9/16 B	CCF 9/16 SB																
CFE 9/16	CFE 9/16 S											Cylindrical				680 3,025	790 3,514
CFE 9/16 B	CFE 9/16 SB	.5625	+0/-0.001	.375	+0 / -0.005	.190	+0.01/-0	.63	.031	.25	1.03	7 178	.010	.375	.250		
CCFE 9/16	CCFE 9/16 S	14.29	+0/-0.03	9.53	+0 / -0.13	4.83	+0.03/-0	15.9	.8	6.4	26.2			9.53	6.35		
CCFE 9/16 B	CCFE 9/16 SB																
CFH 9/16	CFH 9/16 S											Cylindrical				680 3,025	1,580 7,028
CFH 9/16 B	CFH 9/16 SB	.5625	+0/-0.001	.375	+0 / -0.005	.250	+0.01/-0	.63	.031	.25	1.03	7 178	N/A	N/A	N/A		
CCFH 9/16	CCFH 9/16 S	14.29	+0/-0.03	9.53	+0 / -0.13	6.35	+0.03/-0	15.9	.8	6.4	26.2						
CCFH 9/16 B	CCFH 9/16 SB																

Metric dimensions for reference only.
 Hex wrench size for "Broached" version is located in the wrench size chart on page B-156.
 Not all parts are available from stock. Please contact customer service for availability (800) 626-2120.
 For more information on bearing capabilities outside of our standard offering, please contact Application Engineering (800) 626-2093.

Inch Cam Follower Bearings **MCGILL**



CF, CFE, CFH

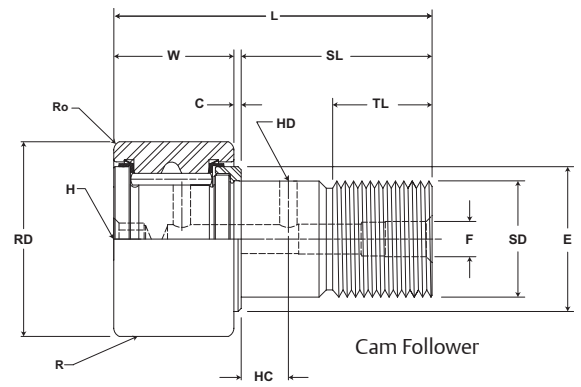
Part No.		HC	HD	F	E	Ro	HBD		Thread Type	Clamping Torque	Limiting Speed (Grease)	WT
W/O Seals	With LUBRI-DISC Seals	Hole Center	Radial Hole Diameter	Axial Hole Dia or Fitting	Min Boss Diameter	Outer Corner	Housing Bore Diameter					
		inch mm		inch mm		inch mm						
		(Ref)	(Ref)	(Ref)	(Ref)	Nom.	Tol.	in-lb Nm				
CF 1/2	CF 1/2 S	-	-	.125	.410	.016	.1903	+0.002/-0.003	10-32	15 2	11,500	.04 .02
CF 1/2 B	CF 1/2 SB			3.175	10.41	.40	4.834	+0.005/-0.008				
CCF 1/2	CCF 1/2 S						N/A					
CCF 1/2 B	CCF 1/2 SB											
CFE 1/2	CFE 1/2 S	-	-	.125	.410	.016	.253	+0.001/-0.001	10-32	15 2	11,500	.04 .02
CFE 1/2 B	CFE 1/2 SB			3.175	10.41	.40	6.42	+0.025/-0.025				
CCFE 1/2	CCFE 1/2 S						N/A					
CCFE 1/2 B	CCFE 1/2 SB											
CFH 1/2	CFH 1/2 S	-	-	.125	.410	.016	.2503	+0.002/-0.003	1/4-28	35 4	11,500	.04 .02
CFH 1/2 B	CFH 1/2 SB			3.175	10.41	.40	6.358	+0.005/-0.008				
CCFH 1/2	CCFH 1/2 S						N/A					
CCFH 1/2 B	CCFH 1/2 SB											
CF 1/2 N	CF 1/2 N S	-	-	.125	.410	.016	.1903	+0.002/-0.003	10-32	15 2	11,500	.04 .02
CF 1/2 N B	CF 1/2 N SB			3.175	10.41	.40	4.834	+0.005/-0.008				
CCF 1/2 N	CCF 1/2 N S						N/A					
CCF 1/2 N B	CCF 1/2 N SB											
CFE 1/2 N	CFE 1/2 N S	-	-	.125	.410	.016	.253	+0.001/-0.001	10-32	15 2	11,500	.04 .02
CFE 1/2 N B	CFE 1/2 N SB			3.175	10.41	.40	6.42	+0.025/-0.025				
CCFE 1/2 N	CCFE 1/2 N S						N/A					
CCFE 1/2 N B	CCFE 1/2 N SB											
CF 9/16	CF 9/16 S	-	-	.125	.410	.016	.1903	+0.002/-0.003	10-32	15 2	10,000	.04 .02
CF 9/16 B	CF 9/16 SB			3.175	10.41	.40	4.834	+0.005/-0.008				
CCF 9/16	CCF 9/16 S						N/A					
CCF 9/16 B	CCF 9/16 SB											
CFE 9/16	CFE 9/16 S	-	-	.125	.410	.016	.253	+0.001/-0.001				
CFE 9/16 B	CFE 9/16 SB			3.175	10.41	.40	6.42	+0.025/-0.025				
CCFE 9/16	CCFE 9/16 S						N/A					
CCFE 9/16 B	CCFE 9/16 SB											
CFH 9/16	CFH 9/16 S	-	-	.125	.410	.016	.2503	+0.002/-0.003	1/4-28	35 4	10,000	.04 .02
CFH 9/16 B	CFH 9/16 SB			3.175	10.41	.40	6.358	+0.005/-0.008				
CCFH 9/16	CCFH 9/16 S						N/A					
CCFH 9/16 B	CCFH 9/16 SB											

For positive clamping, use housing thickness equal to G dimension = .010".
Clamping torque is based on dry threads. If threads are lubricated, use half of value shown.
Hex wrench size for "Broached" version is located in the wrench size chart on page B-156.

McGILL® Inch Cam Follower Bearings



- Basic Construction Type:** Stud Type Crowned / Cylindrical Outside Diameter
- Rolling Elements:** Full Complement Needle Roller
- Bearing Material:** Bearing Quality Steel
- Seal Type:** LUBRI-DISC®
- Lubrication:** Lithium Soap Grease NLGI #2
- System Configuration:** Concentric / Eccentric / Heavy Stud
- Mounting Feature:** Slot / Hex Hole



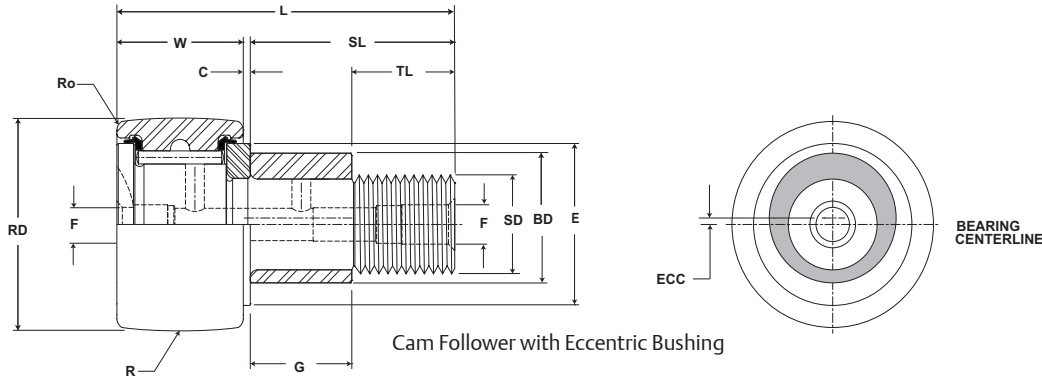
CF, CFE, CFH

Part No.		RD		W		SD		SL	C	TL	L	R	ECC	G	BD	Track Roller Dynamic Rating	Track Roller Static Rating
W/O Seals	With LUBRI-DISC Seals	Roller Diameter		Roller Width		Stud Diameter		Stud Length	Endplate Extension	Min Thread Length	Length Overall	Crown Prefix CCF-XX	Eccentric Base Modifier CFE-XX				
		inch mm		inch mm		inch mm		inch mm		inch mm		inch mm	inch mm				
		Nom.	Tol.	Nom.	Tol.	Nom.	Tol.	(Ref)	(Ref)	(Ref)	(Ref)	Radius (Ref)	(Ref)	+0/-0.010	±.001		
CF 5/8	CF 5/8 S	.625 15.88	+0/-0.001 +0/-0.03	.438 11.11	+0 / -0.005 +0 / -0.13	.250 6.35	+0.01/-0 +0.03/-0	.75 19.1	.031 .8	.31 7.9	1.22 31.0	Cylindrical	N/A	N/A	N/A	955 4,248	1,215 5,404
CF 5/8 B	CF 5/8 SB											8					
CCF 5/8	CCF 5/8 S	203															
CCF 5/8 B	CCF 5/8 SB	203															
CFE 5/8	CFE 5/8 S	.625 15.88	+0/-0.001 +0/-0.03	.438 11.11	+0 / -0.005 +0 / -0.13	.250 6.35	+0.01/-0 +0.03/-0	.75 19.1	.031 .8	.31 7.9	1.22 31.0	Cylindrical	.015 .38	.437 11.10	.375 9.53	955 4,248	1,215 5,404
CFE 5/8 B	CFE 5/8 SB											8					
CCFE 5/8	CCFE 5/8 S	203															
CCFE 5/8 B	CCFE 5/8 SB	203															
CFH 5/8	CFH 5/8 S	.625 15.88	+0/-0.001 +0/-0.03	.438 11.11	+0 / -0.005 +0 / -0.13	.3125 7.94	+0.01/-0 +0.03/-0	.75 19.1	.031 .8	.31 7.9	1.22 31.0	Cylindrical	N/A	N/A	N/A	955 4,248	2,480 11,031
CFH 5/8 B	CFH 5/8 SB											8					
CCFH 5/8	CCFH 5/8 S	203															
CCFH 5/8 B	CCFH 5/8 SB	203															
CF 5/8 N	CF 5/8 N S	.625 15.88	+0/-0.001 +0/-0.03	.406 10.31	+0 / -0.005 +0 / -0.13	.250 6.35	+0.01/-0 +0.03/-0	.63 15.9	.031 .8	.31 7.9	1.06 27.0	Cylindrical	N/A	N/A	N/A	930 4,137	1,085 4,826
CF 5/8 N B	CF 5/8 N SB											7					
CCF 5/8 N	CCF 5/8 N S	178															
CCF 5/8 N B	CCF 5/8 N SB	178															
CCFE 5/8 N	CCFE 5/8 N S	178															
CCFE 5/8 N B	CCFE 5/8 N SB	178															
CF 11/16	CF 11/16 S	.688 17.46	+0/-0.001 +0/-0.03	.438 11.11	+0 / -0.005 +0 / -0.13	.250 6.35	+0.01/-0 +0.03/-0	.75 19.1	.031 .8	.31 7.9	1.22 31.0	Cylindrical	N/A	N/A	N/A	955 4,248	1,215 5,404
CF 11/16 B	CF 11/16 SB											8					
CCF 11/16	CCF 11/16 S	203															
CCF 11/16 B	CCF 11/16 SB	203															
CFE 11/16	CFE 11/16 S	.688 17.46	+0/-0.001 +0/-0.03	.438 11.11	+0 / -0.005 +0 / -0.13	.250 6.35	+0.01/-0 +0.03/-0	.75 19.1	.031 .8	.31 7.9	1.22 31.0	Cylindrical	.015 .38	.437 11.10	.375 9.53	955 4,248	1,215 5,404
CFE 11/16 B	CFE 11/16 SB											8					
CCFE 11/16	CCFE 11/16 S	203															
CCFE 11/16 B	CCFE 11/16 SB	203															
CFH 11/16	CFH 11/16 S	.688 17.46	+0/-0.001 +0/-0.03	.438 11.11	+0 / -0.005 +0 / -0.13	.3125 7.94	+0.01/-0 +0.03/-0	.75 19.1	.031 .8	.31 7.9	1.22 31.0	Cylindrical	N/A	N/A	N/A	955 4,248	2,480 11,031
CFH 11/16 B	CFH 11/16 SB											8					
CCFH 11/16	CCFH 11/16 S	203															
CCFH 11/16 B	CCFH 11/16 SB	203															

Metric dimensions for reference only.
Hex wrench size for "Broached" version is located in the wrench size chart on page B-156.

Not all parts are available from stock. Please contact customer service for availability (800) 626-2120.
For more information on bearing capabilities outside of our standard offering, please contact Application Engineering (800) 626-2093.

Inch Cam Follower Bearings **McGILL**



CF, CFE, CFE

Part No.		HC	HD	F	E	Ro	HBD		Thread Type	Clamping Torque	Limiting Speed (Grease)	WT
W/O Seals	With LUBRI-DISC Seals	Hole Center	Radial Hole Diameter	Axial Hole Dia or Fitting	Min Boss Diameter	Outer Corner	Housing Bore Diameter					
		inch mm		inch mm		inch mm						
		(Ref)	(Ref)	(Ref)	(Ref)	Nom.	Tol.	in-lb Nm				
CF 5/8	CF 5/8 S	-	-	.125	.462 11.73	.016 .40	.2503	+0.002/-0.003	1/4-28	35 4	9,200	.05 .02
CF 5/8 B	CF 5/8 SB	-	-	3.175		N/A	6.358	+0.005/-0.008				
CCF 5/8	CCF 5/8 S	-	-	.125		.016 .40	.378	+0.001/-0.001				
CCF 5/8 B	CCF 5/8 SB	-	-	3.175		N/A	9.60	+0.025/-0.025				
CFH 5/8	CFH 5/8 S	-	-	.125	.462 11.73	.016 .40	.3128	+0.002/-0.003	5/16-24	90 10	9,200	.05 .02
CFH 5/8 B	CFH 5/8 SB	-	-	3.175		N/A	7.945	+0.005/-0.008				
CCFH 5/8	CCFH 5/8 S	-	-	.125		.016 .40	.378	+0.001/-0.001				
CCFH 5/8 B	CCFH 5/8 SB	-	-	3.175		N/A	9.60	+0.025/-0.025				
CF 5/8 N	CF 5/8 N S	-	-	.125	.462 11.73	.016 .40	.2503	+0.002/-0.003	1/4-28	35 4	9,200	.05 .02
CF 5/8 N B	CF 5/8 N SB	-	-	3.175		N/A	6.358	+0.005/-0.008				
CCF 5/8 N	CCF 5/8 N S	-	-	.125		.016 .40	.378	+0.001/-0.001				
CCF 5/8 N B	CCF 5/8 N SB	-	-	3.175		N/A	9.60	+0.025/-0.025				
CF 11/16	CF 11/16 S	-	-	.125	.462 11.73	.016 .40	.2503	+0.002/-0.003	1/4-28	35 4	8,300	.06 .03
CF 11/16 B	CF 11/16 SB	-	-	3.175		N/A	6.358	+0.005/-0.008				
CCF 11/16	CCF 11/16 S	-	-	.125		.016 .40	.378	+0.001/-0.001				
CCF 11/16 B	CCF 11/16 SB	-	-	3.175		N/A	9.60	+0.025/-0.025				
CFH 11/16	CFH 11/16 S	-	-	.125	.462 11.73	.016 .40	.3128	+0.002/-0.003	5/16-24	90 10	8,300	.06 .03
CFH 11/16 B	CFH 11/16 SB	-	-	3.175		N/A	7.945	+0.005/-0.008				
CCFH 11/16	CCFH 11/16 S	-	-	.125		.016 .40	.378	+0.001/-0.001				
CCFH 11/16 B	CCFH 11/16 SB	-	-	3.175		N/A	9.60	+0.025/-0.025				

For positive clamping, use housing thickness equal to G dimension $\pm .010$ ".
Clamping torque is based on dry threads. If threads are lubricated, use half of value shown.
Hex wrench size for "Broached" version is located in the wrench size chart on page B-156.