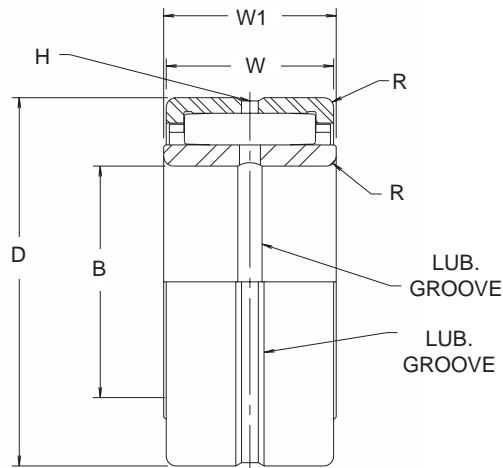


MR SERIES

Outer ring and roller assembly with separable inner ring

Outer ring and roller assemblies and associated inner rings are packed and shipped separately. For a complete bearing, specify both outer and inner numbers desired.



McGILL NUMBER outer ring & roller assy.	McGILL NUMBER inner ring only	MILITARY STANDARD NUMBER	B		D		W	W1	H	R	SHAFT DIA.				HSG. BORE DIA.				STATIC LOAD RATING (LBS.)	BASIC DYNAMIC RATING (LBS.)	
			+0.0000	TOL.	+0.0000	TOL.	+0.000	-0.005	HOLE DIA.	MAX. FILLET for shaft & hsg.	ROTAT. SHAFT	TOL. SHAFT	STAT. SHAFT	TOL. SHAFT	ROTAT. HSG.	TOL. HSG.	STAT. HSG.	TOL. HSG.			
MR-10-N	MI-6-N	MS 500072-1	.3750	-.0004	1.1250	-.0005	.750	.760	5/64	.025	.025	.3755	-.0005	.3747	-.0005	1.1247	-.0007	1.1257	-.0007	4300	4320
MR-10-N	MI-7-N		.4375		1.1250		.750	.760	5/64	.025		.4380		.4372		1.1247		1.1257		4300	4320
MR-10	MI-6		.3750		1.1250		1.000	1.010	5/64	.025		.3755		.3747		1.1247		1.1257		6500	5930
MR-12-N	MI-8-N	MS 500072-2	.5000	-.0004	1.2500	-.0005	.750	.760	5/64	.040	.040	.5005	-.0005	.4997	-.0005	1.2497	-.0007	1.2507	-.0007	5400	4990
MR-12-N	MI-9-N		.5625		1.2500		.750	.760	5/64	.040		.5630		.5623		1.2497		1.2507		5400	4990
MR-12	MI-8	MS 500072-3	.5000		1.2500		1.000	1.010	5/64	.040		.5005		.4997		1.2497		1.2507		8100	6830
MR-14-N	MI-10-N	MS 500072-4	.6250	-.0004	1.3750	-.0005	.750	.760	5/64	.040	.040	.6255	-.0005	.6247	-.0005	1.3747	-.0007	1.3757	-.0007	6000	5280
MR-14-N	MI-11-N		.6875		1.3750		.750	.760	5/64	.040		.6880		.6872		1.3747		1.3757		6000	5280
MR-14	MI-10		.6250		1.3750		1.000	1.010	5/64	.040		.6255		.6247		1.3747		1.3757		9000	7240
MR-16-N	MI-12-N	MS 500072-5	.7500	-.0004	1.5000	-.0005	.750	.760	5/64	.040	.040	.7505	-.0005	.7497	-.0005	1.4997	-.0007	1.5007	-.0007	7100	5840
MR-16-N	MI-13-N	MS 500072-6	.8125		1.5000		.750	.760	5/64	.040		.8129		.8121		1.4997		1.5007		7100	5840
MR-16	MI-12		.7500		1.5000		1.000	1.010	5/64	.040		.7505		.7497		1.4997		1.5007		10600	8000
MR-16	MI-13	MS 500072-7	.8125	-.0004	1.5000	-.0005	1.000	1.010	5/64	.040	.040	.8129	-.0005	.8121	-.0005	1.4997	-.0007	1.5007	-.0007	10600	8000
MR-18-N	MI-14-N	MS 500072-8	.8750		1.6250		1.000	1.010	3/32	.040		.8754		.8746		1.6247		1.6257		12200	8720
MR-18-N	MI-15-N	MR 500072-9	.9375		1.6250		1.000	1.010	3/32	.040		.9379		.9371		1.6247		1.6257		12200	8720
MR-18	MI-14		.8750	-.0005	1.6250	-.0005	1.250	1.260	3/32	.040	.040	.8754	-.0005	.8746	-.0005	1.6247	-.0007	1.6257	-.0007	16300	10900
MR-18	MI-15		.9375		1.6250		1.250	1.260	3/32	.040		.9379		.9371		1.6247		1.6257		16300	10900
MR-20-N	MI-16-N	MS 500072-10	1.0000		1.7500		1.000	1.010	3/32	.040		1.0004		.9996		1.7497		1.7507		13100	9020
MR-20	MI-16	MS 500072-11	1.0000	-.0005	1.7500	-.0005	1.250	1.260	3/32	.040	.040	1.0004	-.0005	.9996	-.0005	1.7497	-.0007	1.7507	-.0007	17500	11300
MR-22-N	MI-18-N	MS 500072-12	1.1250		1.8750		1.000	1.010	3/32	.040		1.1255		1.1246		1.8747		1.8757		14700	9640
MR-22	MI-17		1.0625		1.8750		1.250	1.260	3/32	.040		1.0630		1.0621		1.8747		1.8757		19700	12100
MR-22	MI-18	MS 500072-13	1.1250	-.0005	1.8750	-.0005	1.250	1.260	3/32	.040	.040	1.1255	-.0005	1.1246	-.0005	1.8747	-.0007	1.8757	-.0007	19700	12100
MR-24-N	MI-20-N	MS 500072-15	1.2500		2.0625		1.000	1.010	3/32	.060		1.2505		1.2496		2.0621		2.0632		15500	10300
MR-24	MI-19	MS 500072-14	1.1875		2.0625		1.250	1.260	3/32	.060		1.1880		1.1871		2.0621		2.0632		20800	13000
MR-24	MI-20	MS 500072-16	1.2500	-.0006	2.0625	-.0006	1.250	1.260	3/32	.060	.060	1.2505	-.0006	1.2496	-.0006	2.0621	-.0007	2.0632	-.0007	20800	13000
MR-26-N	MI-21-N	MS 500072-17	1.3125		2.1875		1.000	1.010	3/32	.060		1.3130		1.3121		2.1871		2.1882		16400	10600
MR-26	MI-21		1.3125		2.1875		1.250	1.260	3/32	.060		1.3130		1.3121		2.1871		2.1882		22100	13300
MR-26	MI-22-4S	MS 500072-18	1.3750	-.0006	2.1875	-.0006	1.250	1.260	3/32	.060	.060	1.3755	-.0006	1.3746	-.0006	2.1871	-.0007	2.1882	-.0007	22100	13300
MR-28-N	MI-24-N	MS 500072-21	1.5000		2.3125		1.000	1.010	3/32	.060		1.5005		1.4996		2.3121		2.3132		18100	11200
MR-28	MI-22	MS 500072-19	1.3750		2.3125		1.250	1.260	3/32	.060		1.3755		1.3746		2.3121		2.3132		24400	14100
MR-28	MI-23	MS 500072-20	1.4375	-.0006	2.3125	-.0006	1.250	1.260	3/32	.060	.060	1.4380	-.0006	1.4371	-.0006	2.3121	-.0007	2.3132	-.0007	24400	14100
MR-28	MI-24	MS 500072-22	1.5000		2.3125		1.250	1.260	3/32	.060		1.5005		1.4996		2.3121		2.3132		24400	14400

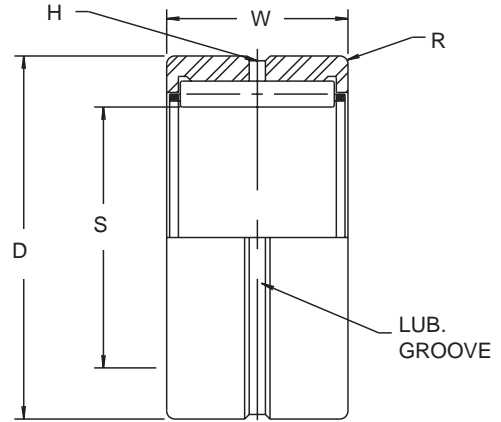
McGILL NUMBER outer ring & roller assy.	McGILL NUMBER inner ring only	MILITARY STANDARD NUMBER	B		D		W	W1	H	R	SHAFT DIA.				HSG. BORE DIA.				STATIC LOAD RATING (LBS.)	BASIC DYNAMIC RATING (LBS.)
			+ .0000	TOL.	+ .0000	TOL.	+ .000 -.005	+ .000 -.005	HOLE DIA.	MAX. FILLET for shaft & hsg.	ROTAT. SHAFT	TOL. + .0000	STAT. SHAFT	TOL. + .0000	ROTAT. HSG.	TOL. + .0000	STAT. HSG.	TOL. + .0000		
MR-30	MI-25-4S		1.5625		2.4375		1.250	1.260	3/32	.060	1.5630		1.5621		2.4371		2.4382		25600	14400
MR-31	MI-26-2S		1.6250		2.5000		1.250	1.260	3/32	.060	1.6255		1.6246		2.4996		2.5007		22400	12400
MR-32-N	MI-26-N		1.6250		2.5625		1.000	1.010	3/32	.060	1.6255		1.6246		2.5621		2.5632		20700	12000
MR-32	MI-25		1.5625		2.5625		1.250	1.260	3/32	.060	1.5630		1.5621		2.5621		2.5632		27900	15200
MR-32	MI-26	MS 500072-23	1.6250		2.5625		1.250	1.260	3/32	.060	1.6255		1.6246		2.5621		2.5632		27900	15200
MR-32	MI-27		1.6875		2.5625		1.250	1.260	3/32	.060	1.6880		1.6871		2.5621		2.5632		27900	15200
MR-36-N	MI-28-N	MS 500072-24	1.7500	-0.0005	3.0000	-0.0006	1.500	1.510	1/8	.060	1.7505	-0.0005	1.7496	-0.0005	2.9996	-0.0007	3.0007	-0.0007	39100	22400
MR-36	MI-28	MS 500072-25	1.7500		3.0000		1.750	1.760	1/8	.060	1.7505		1.7496		2.9996		3.0007		47400	26000
MR-36	MI-30		1.8750		3.0000		1.750	1.760	1/8	.060	1.8755		1.8746		2.9996		3.0007		47400	26000
MR-40-N	MI-32-N	MS 500072-27	2.0000		3.2500		1.500	1.510	1/8	.080	2.0005		1.9996		3.2496		3.2507		42900	23400
MR-40	MI-31	MS 500072-26	1.9375		3.2500		1.750	1.760	1/8	.080	1.9380		1.9371		3.2496		3.2507		52100	27200
MR-40	MI-32		2.0000		3.2500		1.750	1.760	1/8	.080	2.0005		1.9996		3.2496		3.2507		52100	27200
MR-40	MI-34		2.1250		3.2500		1.750	1.760	1/8	.080	2.1258		2.1247		3.2496		3.2507		52100	27200
MR-44-N	MI-36-N	MS 500072-29	2.2500		3.5000		1.500	1.510	1/8	.080	2.2508		2.2497		3.4995		3.5006		46700	24500
MR-44	MI-35	MS 500072-28	2.1875		3.5000		1.750	1.760	1/8	.080	2.1883		2.1872		3.4995		3.5006		56700	28400
MR-44	MI-36		2.2500		3.5000		1.750	1.760	1/8	.080	2.2508		2.2497		3.4995		3.5006		56700	28400
MR-48-N	MI-40-N	MS 500072-31	2.5000		3.7500		1.500	1.510	1/8	.080	2.5008		2.4997		3.7495		3.7506		52300	26100
MR-48	MI-38	MS 500072-30	2.3750		3.7500		1.750	1.760	1/8	.080	2.3758		2.3747		3.7495		3.7506		63400	30300
MR-48	MI-39		2.4375		3.7500		1.750	1.760	1/8	.080	2.4383		2.4372		3.7495		3.7506		63400	30300
MR-48	MI-40		2.5000		3.7500		1.750	1.760	1/8	.080	2.5008	-0.0008	2.4997	-0.0008	3.7495		3.7506		63400	30300
MR-52	MI-42		2.6250	-0.0006	4.2500	-0.0008	1.750	1.760	3/16	.080	2.6258		2.6247		4.2495	-0.0010	4.2506	-0.0010	64400	29900
MR-52	MI-44	MS 500072-32	2.7500		4.2500		1.750	1.760	3/16	.080	2.7508		2.7497		4.2495		4.2506		64400	29900
MR-56-N	MI-48-N		3.0000		4.5000		1.750	1.760	3/16	.080	3.0008		2.9997		4.4995		4.5006		71600	31300
MR-56	MI-46		2.8750		4.5000		2.000	2.010	3/16	.080	2.8758		2.8747		4.4995		4.5006		83500	35900
MR-56	MI-47	MS 500072-34	2.9375		4.5000		2.000	2.010	3/16	.080	2.9383		2.9372		4.4995		4.5006		83500	35900
MR-56	MI-48		3.0000		4.5000		2.000	2.010	3/16	.080	3.0008		2.9997		4.4995		4.5006		83500	35900
MR-60	MI-50	MS 500072-35	3.1250		4.7500		2.000	2.010	3/16	.100	3.1260		3.1246		4.7495		4.7506		87100	36500
MR-60	MI-52	MS 500072-36	3.2500		4.7500		2.000	2.010	3/16	.100	3.2510		3.2496		4.7495		4.7506		87100	36500
MR-64	MI-54	MS 500072-38	3.3750		5.0000		2.000	2.010	3/16	.100	3.3758		3.3746		4.9999		5.0010		93800	38000
MR-64	MI-56		3.5000		5.0000		2.000	2.010	3/16	.100	3.5008		3.4996		4.9999		5.0010		93800	38000
MR-68	MI-58		3.6250		5.2500		2.000	2.010	3/16	.100	3.6258		3.6246		5.2499		5.2510		101000	39500
MR-68	MI-60	MS 500072-40	3.7500		5.2500		2.000	2.010	3/16	.100	3.7508		3.7496		5.2499		5.2510		101000	39500
MR-72	MI-62		3.8750	-0.0008	6.0000	-0.0010	2.250	2.260	3/16	.100	3.8758		3.8746		5.9999		6.0010		130000	60300
MR-80	MI-64		4.0000		6.5000		2.250	2.260	3/16	.100	4.0008	-0.0010	3.9996	-0.0010	6.4999		6.5010		148000	64600
MR-80	MI-68		4.2500		6.5000		2.250	2.260	3/16	.100	4.2508		4.2496		6.4999		6.5010		148000	64600
MR-88-N	MI-72-N	MS 500072-43	4.5000		7.0000		2.500	2.515	3/16	.100	4.5008		4.4996		6.9999	-0.0015	7.0010	-0.0015	169800	70200
MR-88	MI-72	MS 500072-44	4.5000		7.0000		3.000	3.015	3/16	.100	4.5008		4.4996		6.9999		7.0010		220000	85700
MR-96-N	MI-80-N	MS 500072-46	5.0000		7.5000		2.500	2.515	1/4	.120	5.0010		4.9995		7.4998		7.5010		177000	71000
MR-96	MI-80	MS 500072-47	5.0000		7.5000		3.000	3.015	1/4	.120	5.0010		4.9995		7.4998		7.5010		228000	86600
MR-104-N	MI-88-N	MS 500072-48	5.5000		8.0000		2.500	2.515	1/4	.120	5.5010		5.4995		7.9998		8.0010		183000	71700
*MR-104	MI-88	MS 500072-49	5.5000		8.0000		3.000	3.015	1/4	.120	5.5010		5.4995		7.9998		8.0010		237000	87500
MR-116	MI-96	MS 500072-50	6.0000	-0.0010	9.1250	-0.0012	3.000	3.015	1/4	.120	6.0012		5.9995		9.1248		9.1260		234000	95200
*MR-124	MI-104		6.5000		9.6250		3.000	3.015	1/4	.120	6.5012		6.4995		9.6250		9.6260		252000	99100
*MR-132	MI-112		7.0000		10.1250		3.000	3.015	1/4	.120	7.0012	-0.0012	6.9995	-0.0012	10.1250		10.1260		270000	103000
*MR-140	MI-120		7.5000		10.6250		3.000	3.015	1/4	.160	7.5010		7.4995		10.6250	-0.0020	10.6260	-0.0020	280000	104000
MR-148	MI-128		8.0000	-0.0012	11.1250	-0.0014	3.000	3.015	1/4	.160	8.0010		7.9995		11.1250		11.1260		292000	108000

*Not available from stock. Consult McGill Customer Service for availability.

MR SERIES

Outer ring and roller assembly without separable inner ring

The outer ring and roller assemblies (MR) shown in this table are for use without inner rings on a ground shaft for which a minimum hardness of 58 Rockwell "C" scale is recommended.



S equals shaft diameter

McGILL NUMBER outer ring & roller assy.	MILITARY STANDARD NUMBER	S SHAFT DIA.		D		W	H	R	HSG. BORE DIA.			STATIC LOAD RATING (LBS.)	BASIC DYNAMIC RATING (LBS.)		
		+0.000	TOL.	+0.000	TOL.	+0.000 -0.005	HOLE DIA.	MAX. FILLET FOR HOUSING	ROTATING HOUSING	TOL. +0.000-0	STATIONARY HOUSING			TOL. +0.000-0	
MR-10-N MR-10	MS 51961-1	.6250	-0.0005	1.1250	-0.0005	.750 1.000	5/64	.025	1.1247	-0.0007	1.1257	-0.0007	4300 6500	4320 5930	
MR-12-N MR-12	MS 51961-2 MS 51961-3	.7500		1.2500		.750 1.000	5/64	.040	1.2497		1.2507		1.2507	5400 8100	4990 6830
MR-14-N MR-14	MS 51961-5 MS 51961-6	.8750		1.3750		.750 1.000	5/64	.040	1.3747		1.3757		1.3757	6000 9000	5280 7240
MR-16-N MR-16	MS 51961-8 MS 51961-9	1.0000		1.5000		.750 1.000	5/64	.040	1.4997		1.5007		1.5007	7100 10600	5840 8000
MR-18-N MR-18	MS 51961-11 MS 51961-12	1.1250		1.6250		1.000 1.250	3/32	.040	1.6247		1.6257		1.6257	12200 16300	8720 10900
MR-20-N MR-20	MS 51961-14 MS 51961-15	1.2500		1.7500		1.000 1.250	3/32	.040	1.7497		1.7507		1.7507	13100 17500	9020 11300
MR-22-N MR-22	MS 51961-18 MS 51961-19	1.3750		1.8750		1.000 1.250	3/32	.040	1.8747		1.8757		1.8757	14700 19700	9640 12100
MR-24-N MR-24	MS 51961-21 MS 51961-22	1.5000		2.0625		1.000 1.250	3/32	.060	2.0621		2.0632		2.0632	15500 20800	10300 13000
MR-26-N MR-26	MS 51961-24 MS 51961-25	1.6250		2.1875		1.000 1.250	3/32	.060	2.1871		2.1882		2.1882	16400 22100	10600 13300
MR-28-N MR-28	MS 51961-27 MS 51961-28	1.7500		2.3125		1.000 1.250	3/32	.060	2.3121		2.3132		2.3132	18100 24400	11200 14100
MR-30-N MR-30	MS 51961-29	1.8750		2.4375		1.000 1.250	3/32	.060	2.4371		2.4382		2.4382	19000 25600	11400 14400
MR-31		1.9375		2.5000		1.250	3/32	.060	2.4996		2.5007		2.5007	22400	12400
MR-32-N MR-32	MS 51961-30	2.0000		2.5625		1.000 1.250	3/32	.060	2.5621		2.5632		2.5632	20700 27900	12000 15200
MR-36-N MR-36	MS 51961-31 MS 51961-32	2.2500		3.0000		1.500 1.750	1/8	.060	2.9996		3.0007		3.0007	39100 47400	22400 26000
MR-40-N MR-40	MS 51961-33 MS 51961-34	2.5000		3.2500		1.500 1.750	1/8	.080	3.2496		3.2507		3.2507	42900 52100	23400 27200
MR-44-N MR-44	MS 51961-35 MS 51961-36	2.7500		3.5000		1.500 1.750	1/8	.080	3.4995		3.5008		3.5008	46700 56700	24500 28400
MR-48-N MR-48	1961-37 MS 51961-38	3.0000		3.7500		1.500 1.750	1/8	.080	3.7495		3.7508		3.7508	52300 63400	26100 30300
MR-52	MS 51961-39	3.2500		4.2500		1.750	3/16	.080	4.2495		4.2508		4.2508	64400	29900
MR-56-N MR-56	MS 51961-41 MS 51961-42	3.5000		4.5000		1.750 2.000	3/16	.080	4.4995		4.5008		4.5008	71600 83500	31300 35900
MR-60	MS 51961-43	3.7500		4.7500		2.000	3/16	.100	4.7495		4.7508		4.7508	87100	36500
MR-64	MS 51961-45	4.0000		5.0000		2.000	3/16	.100	4.9999		5.0011		5.0011	93800	38000
MR-68	MS 51961-46	4.2500		5.2500		2.000	3/16	.100	5.2499		5.2511		5.2511	101000	39500
MR-72	MS 51961-48	4.5000		6.0000		2.250	3/16	.100	5.9999		6.0011		6.0011	130000	60300
MR-80		5.0000		6.5000		2.250	3/16	.100	6.4999		6.5011		6.5011	148000	64600
MR-88-N MR-88	MS 51961-52 MS 51961-53	5.5000		7.0000		2.500 3.000	3/16	.100	6.9999		7.0011		7.0011	169800 222000	70200 85700
MR-96-N MR-96	MS 51961-55 MS 51961-56	6.0000		7.5000		2.500 3.000	1/4	.120	7.4998		7.5011		7.5011	177000 228000	71000 86600
MR-104-N *MR-104	MS 51961-57 MS 51961-58	6.5000		8.0000		2.500 3.000	1/4	.120	7.9998		8.0011		8.0011	183000 237000	71700 87500
MR-116	MS 51961-59	7.2500		9.1250		3.000	1/4	.120	9.1248		9.1261		9.1261	234000	95200
*MR-124		7.7500		9.6250		3.000	1/4	.120	9.6250		9.6265		9.6265	252000	99100
*MR-132		8.2500		10.1250		3.000	1/4	.120	10.1250		10.1265		10.1265	270000	103000
*MR-140		8.7500	10.6250	3.000	1/4	.160	10.6250	10.6265	10.6265	280000	104000				
MR-148		9.2500	11.1250	3.000	1/4	.160	11.1250	11.1265	11.1265	292000	108000				

*Not available from stock. Consult McGill Customer Service for availability.