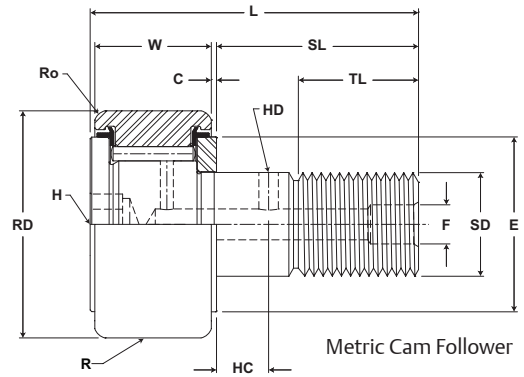


# MCGILL® Metric CAMROL Bearings



- Basic Construction Type:** Stud Type Crowned / Cylindrical Outside Diameter
- Rolling Elements:** Full Complement / Retained (Caged) Needle Roller
- Bearing Material:** Bearing Quality Steel
- Seal Type:** LUBRI-DISC®
- Lubrication:** Lithium Soap Grease NLGI #2
- System Configuration:** Concentric / Eccentric
- Mounting Feature:** Slot / Hex Hole

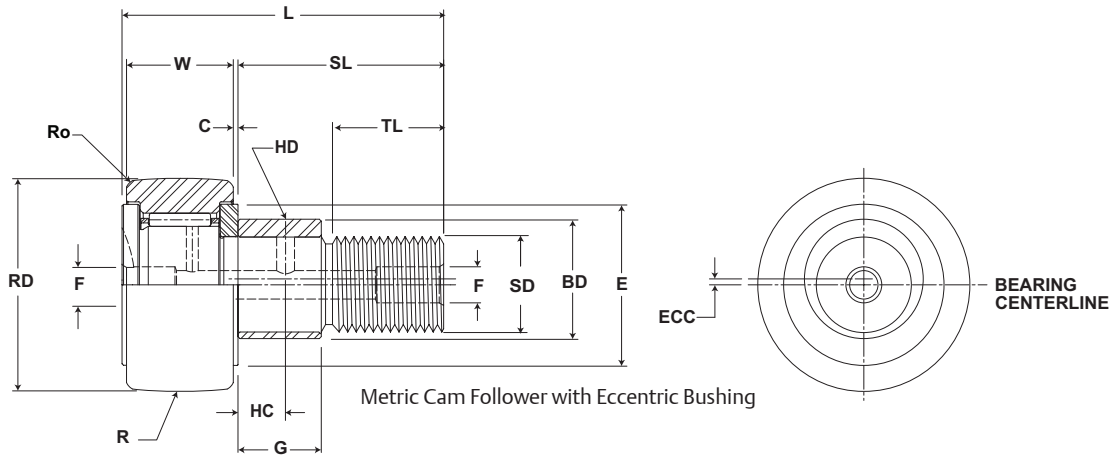


## MCF, MCFE

Part No.		RD		W		SD		SL	C	TL	L	R	ECC	G	BD	Track Roller Dynamic Rating	Track Roller Static Rating		
W/O Seals	With LUBRI-DISC Seals	Roller Diameter		Roller Width		Stud Diameter		Stud Length	Endplate Extension	Minimum Thread Length	Length Overall	Cylindrical	Eccentric						
		mm inch		mm inch		mm inch		mm inch	mm inch	mm inch	mm inch	Suffix MCF-xx-X	Base Modifier MCFE-xx						
		Nom.	Tol.	Nom.	Tol.	Nom.	Tol.	(Ref)	(Ref)	(Ref)	(Ref)	Radius	(Ref)	+05/- .15 +.002/- .006	(Ref)				
MCF 80	MCF 80 S	85.000 3.3465	+0/- .050 +0/- .002	35.000 +0/- .12 1.3780 +0/- .005	30.000 +0/- .021 1.1811 +0/- .0008	63	1.00	.039	32.0	1.26	100	3.9	500 19.7	N/A	N/A	N/A	64,140 14,420	102,300 22,999	
MCF 80 B	MCF 80 SB		Cylindrical																
MCF 80 X	MCF 80 SX																		
MCF 80 BX	MCF 80 SBX																		
MCFE 80	MCFE 80 S	85.000 3.3465	+0/- .050 +0/- .002	35.000 +0/- .12 1.3780 +0/- .005	30.000 +0/- .021 1.1811 +0/- .0008	63	1.00	.039	32.0	1.26	100	3.9	500 19.7	1.5	.06	29	1.14	35	.38
MCFE 80 SB	MCFE 80 SX		Cylindrical																
MCFE 80 SBX	MCFE 80 SBX																		
MCFR 85	MCFR 85 S		85.000 3.3465																
MCFR 85 B	MCFR 85 SB	Cylindrical																	
MCFR 85 X	MCFR 85 SX																		
MCFR 85 BX	MCFR 85 SBX																		
MCFRE 85	MCFRE 85 S	85.000 3.3465	+0/- .050 +0/- .002	35.000 +0/- .12 1.3780 +0/- .005	30.000 +0/- .021 1.1811 +0/- .0008	63	1.00	.039	32.0	1.26	100	3.9	500 19.7	1.5	.06	29	1.14	35	.38
MCFRE 85 B	MCFRE 85 SB		Cylindrical																
MCFRE 85 X	MCFRE 85 SX																		
MCFRE 85 BX	MCFRE 85 SBX																		
MCF 90	MCF 90 S	90.000 3.5433	+0/- .050 +0/- .002	35.000 +0/- .12 1.3780 +0/- .005	30.000 +0/- .021 1.1811 +0/- .0008	63	1.00	.039	32.0	1.26	100	3.9	500 19.7	N/A	N/A	N/A	64,140 14,420	102,300 22,999	
MCF 90 B	MCF 90 SB		Cylindrical																
MCF 90 X	MCF 90 SX																		
MCF 90 BX	MCF 90 SBX																		
MCFE 90	MCFE 90 S	90.000 3.5433	+0/- .050 +0/- .002	35.000 +0/- .12 1.3780 +0/- .005	30.000 +0/- .021 1.1811 +0/- .0008	63	1.00	.039	32.0	1.26	100	3.9	500 19.7	1.5	.06	29	1.14	35	.38
MCFE 90 SB	MCFE 90 SX		Cylindrical																
MCFE 90 SBX	MCFE 90 SBX																		
MCFR 90	MCFR 90 S		90.000 3.5433																
MCFR 90 B	MCFR 90 SB	Cylindrical																	
MCFR 90 X	MCFR 90 SX																		
MCFR 90 BX	MCFR 90 SBX																		
MCFRE 90	MCFRE 90 S	90.000 3.5433	+0/- .050 +0/- .002	35.000 +0/- .12 1.3780 +0/- .005	30.000 +0/- .021 1.1811 +0/- .0008	63	1.00	.039	32.0	1.26	100	3.9	500 19.7	1.5	.06	29	1.14	35	.38
MCFRE 90 SB	MCFRE 90 SX		Cylindrical																
MCFRE 90 SBX	MCFRE 90 SBX																		

1. Standard bearing has a crowned roller outside diameter. For straight cylindrical outside roller diameter, add suffix "X". Example - MCFR-35-X or MCF-35-SX.  
 2. Clamping torque is based on dry threads. If threads are lubricated, use half of value shown.  
 3. Static load rating is based on stud strength or on internal rolling element load distribution stresses.  
 4. Dynamic load should not exceed 50% of Dynamic Rating as a track roller.  
 5. Since load, lubrication method, temperature and other factors affect the maximum operating speed, it is impossible to determine precise limiting speed. The listed limiting speeds are based on lightly loaded bearings having adequate lubrication and are listed only as a design guide. More frequent relubrication is required when operating at higher speeds. Actual bearing testing in the specific application should be conducted if the anticipated operating speed approaches the listed limiting speed.

Inch dimensions for reference only.  
 Not all parts are available from stock. Please contact customer service for availability (800) 626-2120.  
 For more information on bearing capabilities outside of our standard offering, please contact Application Engineering (800) 626-2093.



## MCF, MCFE

Part No.		HC	HD	F	H	Ro	E	Housing Bore Diameter		Thread Type	Clamping Torque	Limiting Speed (Grease)	WT
W/O Seals	With LUBRI-DISC Seals	Hole Center	Radial Lub. Hole Diameter	Lub. Hole Dia	Hex Hole Suffix MCF_xx B	Outer Corner	Min. Clamping Diameter						
		(Ref)	(Ref)	(Ref)	(Ref)	(Ref)	(Ref)	Nom.	Tol.				
MCF 80	MCF 80 S	15 .591	4 .157	8 .31	N/A	2.0 .08	63 2.5	30.000 .1811	+0.021/-0 +0.0008/-0	M30x1.5	441 3,903	1,500	1.64 3.62
MCF 80 B	MCF 80 SB			-	14 .55								
MCF 80 X	MCF 80 SX			8 .31	N/A								
MCF 80 BX	MCF 80 SBX			-	14 .55								
MCFE 80	MCFE 80 S	15 .591	4 .157	8 .31	N/A	2.0 .08	63 2.5	35.050 .3799	+0.025/-0 +0.0009/-0	M30x1.5	441 3,903	1,500	1.64 3.62
	MCFE 80 SB			-	14 .55								
	MCFE 80 SX			8 .31	N/A								
	MCFE 80 SBX			-	14 .55								
MCFR 85	MCFR 85 S	15 .591	4 .157	8 .31	N/A	2.0 .08	63 2.5	30.000 .1811	+0.021/-0 +0.0008/-0	M30x1.5	441 3,903	2,200	1.81 3.99
MCFR 85 B	MCFR 85 SB			-	14 .55								
MCFR 85 X	MCFR 85 SX			8 .31	N/A								
MCFR 85 BX	MCFR 85 SBX			-	14 .55								
MCFRE 85	MCFRE 85 S	N/A	N/A	8 .31	N/A	2.0 .08	63 2.5	35.050 .3799	+0.025/-0 +0.0009/-0	M30x1.5	441 3,903	2,200	1.81 3.99
MCFRE 85 B	MCFRE 85 SB			-	14 .55								
MCFRE 85 X	MCFRE 85 SX			8 .31	N/A								
MCFRE 85 BX	MCFRE 85 SBX			-	14 .55								
MCF 90	MCF 90 S	15 .591	4 .157	8 .31	N/A	2.0 .08	68 2.7	30.000 .1811	+0.021/-0 +0.0008/-0	M30x1.5	441 3,903	1,500	1.99 4.39
MCF 90 B	MCF 90 SB			-	14 .55								
MCF 90 X	MCF 90 SX			8 .31	N/A								
MCF 90 BX	MCF 90 SBX			-	14 .55								
MCFE 90	MCFE 90 S	15 .591	4 .157	8 .31	N/A	2.0 .08	68 2.7	35.050 .3799	+0.025/-0 +0.0009/-0	M30x1.5	441 3,903	1,500	1.99 4.39
	MCFE 90 SB			-	14 .55								
	MCFE 90 SX			8 .31	N/A								
	MCFE 90 SBX			-	14 .55								
MCFR 90	MCFR 90 S	15 .591	4 .157	8 .31	N/A	2.0 .08	68 2.7	30.000 .1811	+0.021/-0 +0.0008/-0	M30x1.5	441 3,903	2,200	1.99 4.39
MCFR 90 B	MCFR 90 SB			-	14 .55								
MCFR 90 X	MCFR 90 SX			8 .31	N/A								
MCFR 90 BX	MCFR 90 SBX			-	14 .55								
MCFRE 90	MCFRE 90 S	N/A	N/A	8 .31	N/A	2.0 .08	68 2.7	35.050 .3799	+0.025/-0 +0.0009/-0	M30x1.5	441 3,903	2,200	1.99 4.39
	MCFRE 90 SB			-	14 .55								
	MCFRE 90 SX			8 .31	N/A								
	MCFRE 90 SBX			-	14 .55								