

# SPHERICAL PLAIN BEARINGS

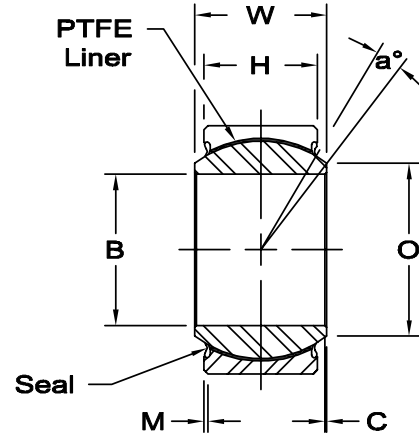
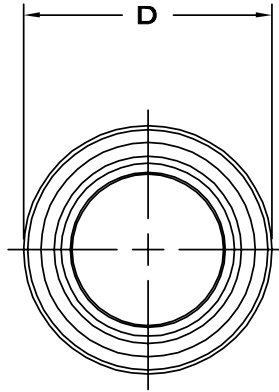
Inch – Sealed – PTFE Lined



## GEZ..ET-2RS SEALED

**Race** - 52100 steel, heat treated, single fracture, PTFE lined.

**Ball** - 52100 steel, heat treated, hard chrome plated.



### RADIAL STATIC LOAD CAPACITY

These loads are the maximum safe operating loads for stationary applications, and assumes a sufficiently rigid housing and shaft. The radial static load capacity provides a 1.5 factor of safety against static fracture.

### LUBRICATION

Self lubricating PTFE liner.

The dimensions and tolerances apply before surface treatment and splitting of the outer race. The outer race can become slightly out of round due to splitting, but when the bearing is mounted into the bearing housing, the roundness of the outer race will be restored. The measured value of the bearing outside diameter without mounting is not to be used as the original actual value of the outside diameter.

| BEARING NO.  | DIMENSIONS IN INCHES |        |                |        |                 |       |                 |       |                   |                    |                    | a°<br>Misalign.<br>Angle | Radial<br>Static Limit<br>Load<br>Capacity<br>Lbs. | Approx.<br>Brg. Wt.<br>Lbs. |
|--------------|----------------------|--------|----------------|--------|-----------------|-------|-----------------|-------|-------------------|--------------------|--------------------|--------------------------|--|-----------------------------|
|              | B<br>Bore Dia.       |        | D<br>Race Dia. |        | W<br>Ball Width |       | H<br>Race Width |       | O<br>Flat<br>Dia. | C<br>Ball<br>Cmfr. | M<br>Race<br>Cmfr. |                          |  |                             |
|              | Max.                 | Min.   | Max.           | Min.   | Max.            | Min.  | Max.            | Min.  | Min.              | Min.               | Min.               |                          |  |                             |
| GEZ012ET-2RS | .7500                | .7495  | 1.2500         | 1.2495 | .656            | .651  | .562            | .552  | .858              | .012               | .024               | 6                        | 26,302   | .12                         |
| GEZ014ET-2RS | .8750                | .8745  | 1.4375         | 1.4370 | .765            | .760  | .656            | .646  | 1.000             | .012               | .024               | 6                        | 35,968   | .19                         |
| GEZ016ET-2RS | 1.0000               | .9995  | 1.6250         | 1.6245 | .875            | .870  | .750            | .740  | 1.087             | .012               | .024               | 6                        | 56,200   | .27                         |
| GEZ020ET-2RS | 1.2500               | 1.2495 | 2.0000         | 1.9995 | 1.093           | 1.088 | .937            | .925  | 1.417             | .024               | .024               | 6                        | 87,672   | .51                         |
| GEZ022ET-2RS | 1.3750               | 1.3745 | 2.1875         | 2.1870 | 1.187           | 1.182 | 1.031           | 1.019 | 1.515             | .024               | .039               | 6                        | 103,408  | .77                         |
| GEZ024ET-2RS | 1.5000               | 1.4995 | 2.4375         | 2.4370 | 1.312           | 1.307 | 1.125           | 1.113 | 1.622             | .024               | .039               | 6                        | 125,888  | .93                         |
| GEZ028ET-2RS | 1.7500               | 1.7495 | 2.8125         | 2.8120 | 1.531           | 1.526 | 1.312           | 1.300 | 1.996             | .024               | .039               | 6                        | 171,972  | 1.41                        |
| GEZ032ET-2RS | 2.0000               | 1.9995 | 3.1875         | 3.1869 | 1.750           | 1.745 | 1.500           | 1.484 | 2.280             | .024               | .039               | 6                        | 224,800  | 2.06                        |
| GEZ036ET-2RS | 2.2500               | 2.2494 | 3.5625         | 3.5619 | 1.969           | 1.963 | 1.687           | 1.671 | 2.555             | .024               | .039               | 6                        | 283,248  | 2.93                        |
| GEZ040ET-2RS | 2.5000               | 2.4994 | 3.9375         | 3.9369 | 2.187           | 2.181 | 1.875           | 1.859 | 2.886             | .039               | .039               | 6                        | 352,936  | 4.08                        |
| GEZ044ET-2RS | 2.7500               | 2.7494 | 4.3750         | 4.3744 | 2.406           | 2.400 | 2.062           | 2.046 | 3.114             | .039               | .039               | 6                        | 422,624  | 5.34                        |
| GEZ048ET-2RS | 3.0000               | 2.9994 | 4.7500         | 4.7493 | 2.625           | 2.619 | 2.250           | 2.230 | 3.417             | .039               | .039               | 6                        | 505,800  | 6.83                        |
| GEZ052ET-2RS | 3.2500               | 3.2492 | 5.1250         | 5.1243 | 2.844           | 2.836 | 2.437           | 2.417 | 3.720             | .039               | .039               | 6                        | 595,720  | 8.42                        |
| GEZ056ET-2RS | 3.5000               | 3.4992 | 5.5000         | 5.4993 | 3.062           | 3.054 | 2.625           | 2.605 | 4.000             | .039               | .039               | 6                        | 690,136  | 10.56                       |
| GEZ060ET-2RS | 3.7500               | 3.7492 | 5.8750         | 5.8743 | 3.281           | 3.273 | 2.812           | 2.792 | 4.280             | .039               | .039               | 6                        | 791,296  | 12.74                       |
| GEZ064ET-2RS | 4.0000               | 3.9992 | 6.2500         | 6.2490 | 3.500           | 3.492 | 3.000           | 2.980 | 4.559             | .039               | .039               | 6                        | 899,200  | 15.41                       |
| GEZ068ET-2RS | 4.2500               | 4.2492 | 6.6250         | 6.6240 | 3.719           | 3.711 | 3.187           | 3.167 | 4.835             | .039               | .039               | 6                        | 1,013,848  | 18.54                       |
| GEZ072ET-2RS | 4.5000               | 4.4992 | 7.0000         | 6.9990 | 3.937           | 3.929 | 3.375           | 3.355 | 5.142             | .039               | .039               | 6                        | 1,139,736  | 21.58                       |
| GEZ076ET-2RS | 4.7500               | 4.7490 | 7.3750         | 7.3738 | 4.156           | 4.148 | 3.562           | 3.542 | 5.417             | .039               | .039               | 6                        | 1,270,120  | 25.35                       |
| GEZ080ET-2RS | 5.0000               | 4.9990 | 7.7500         | 7.7488 | 4.375           | 4.365 | 3.750           | 3.730 | 5.720             | .039               | .039               | 6                        | 1,409,496  | 29.76                       |
| GEZ096ET-2RS | 6.0000               | 5.9990 | 8.7500         | 8.7488 | 4.750           | 4.740 | 4.125           | 4.105 | 6.622             | .039               | .039               | 5                        | 1,753,440  | 38.58                       |