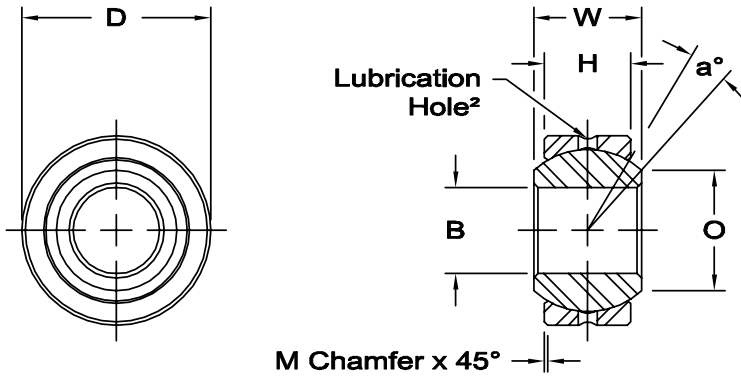




# MIB SERIES

Spherical Bearings (PTFE Liners Available)<sup>1</sup>



**Race** - Low carbon steel, I.D. protective coated for corrosion resistance.

**Ball** - Alloy steel, heat treated, hard chrome plated.

**Notes** - All sizes available with studs upon request.



\*Bore Tolerance on these items is as follows - INCH: +.0035, -.0005; METRIC: +.089, -.013

1 PTFE Liners use suffix T Ex: MIB-6T

2 PTFE Lined parts have no lubrication groove in race. Hole manufactures option.

BEARING NO.	DIMENSIONS IN INCHES							a° Misalign. Angle	Radial Static Limit Load Capacity Lbs.	Approx. Brg. Wt. Lbs.
	B + .0015 - .0005	D + .0000 - .0007	H ± .005	W + .000 - .005	O Flat Dia. Ref.	M Chamfer Ref.	Ball Dia. Ref.			
MIB-2	.1250	.4062	.187	.250	.187	.025	.312	17	2,533	.02
MIB-3	.1900	.5312	.250	.312	.307	.020	.437	10.5	4,370	.02
MIB-4	.2500	.6094	.281	.375	.331	.020	.500	14.5	5,620	.02
MIB-5	.3125	.7500	.344	.437	.448	.020	.625	11	8,600	.04
MIB-6	.3750	.8437	.406	.500	.516	.020	.719	9.5	11,677	.06
MIB-7	.4375	1.0000	.437	.562	.587	.020	.812	11	14,194	.08
MIB-8	.5000	1.0937	.500	.625	.699	.020	.937	9.5	18,740	.11
MIB-10	.6250	1.3125	.562	.750	.839	.030	1.125	12	25,290	.17
MIB-12	.7500	1.5000	.687	.875	.978	.030	1.312	10	32,448	.25
MIB-14	.8750	1.6250	.750	.875	1.061	.035	1.375	6	39,653	.35
MIB-16*	1.0000	2.1250	1.000	1.375	1.275	.060	1.875	15	60,000	.79

BEARING NO.	DIMENSIONS IN MILLIMETERS							a° Misalign. Angle	Radial Static Limit Load Capacity Newtons	Approx. Brg. Wt. Grams
	B + .038 - .013	D + .000 - .013	H ± .13	W + .00 - .13	O Flat Dia. Ref.	M Chamfer Ref.	Ball Dia. Ref.			
MIB-2	3.175	10.31	4.74	6.35	4.74	.63	7.92	17	11,266	7
MIB-3	4.826	13.49	6.35	7.92	7.79	.50	11.10	10.5	19,438	7
MIB-4	6.350	15.47	7.13	9.52	8.40	.50	12.70	14.5	24,998	10
MIB-5	7.938	19.05	8.73	11.10	11.37	.50	15.87	11	38,253	18
MIB-6	9.525	21.43	10.31	12.70	13.10	.50	18.26	9.5	51,939	27
MIB-7	11.113	25.40	11.10	14.27	14.91	.50	20.62	11	63,135	36
MIB-8	12.700	27.78	12.70	15.87	17.75	.50	23.80	9.5	83,356	50
MIB-10	15.875	33.33	14.27	19.05	21.31	.76	28.57	12	112,490	75
MIB-12	19.050	38.10	17.45	22.23	24.84	.76	33.32	10	144,329	114
MIB-14	22.225	41.28	19.05	22.23	26.95	.89	34.93	6	176,637	159
MIB-16*	25.400	53.97	25.40	34.92	32.38	1.52	47.62	15	266,880	358