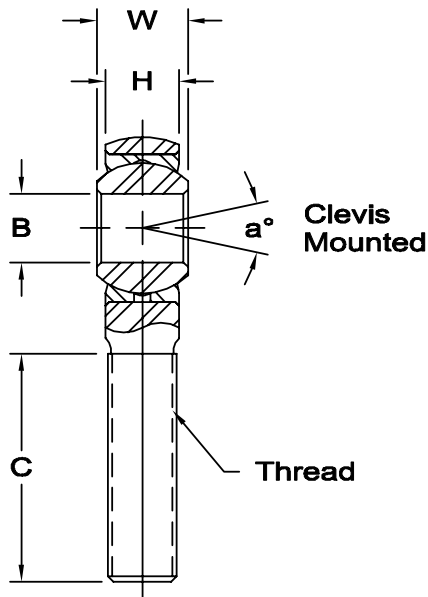
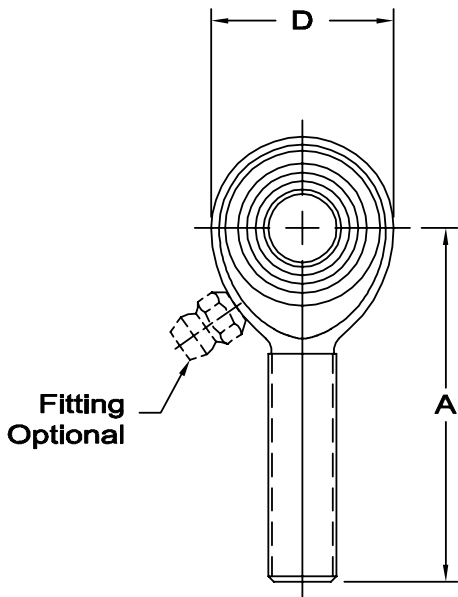




# SM & SB SERIES MALE ROD ENDS

Corrosion Resistant – Precision (PTFE Liners Available)

timkenaurorabearing.com • Fax 630-859-0971



**Body** - Low carbon steel, Electroless nickel plated.

**Race** - Stainless steel, heat treated.

**Ball** - Alloy steel, heat treated, hard chrome plated.

**Notes** - All sizes available with studs upon request.

Load ratings apply only to rod ends without grease fittings. For load ratings with fittings, please consult our engineering department.

Units are supplied without grease fittings. When a grease fitting is required, specify by adding suffix as designated.

- Z Zerk type fitting Ex: SM-6Z
- F Flush type fitting Ex: SM-6F
- T PTFE liner Ex: SM-6T

ROD END NO.		DIMENSIONS IN INCHES								a° Misalign. Angle	Ultimate Radial Static Load Capacity Lbs.	Approx. Brg. Wt. Lbs.
Right Hand	Left Hand	B + .0015 - .0005	W + .000 - .005	H ± .005	A ± .015	D ± .010	Ball Dia. Ref.	C + .062 - .031	Thread UNF-3A			
SM-3	SB-3	.1900	.312	.250	1.250	.625	.437	.750	10-32	13	1,169	.03
SM-4	SB-4	.2500	.375	.281	1.562	.750	.500	1.000	1/4-28	16	2,158	.04
SM-5	SB-5	.3125	.437	.344	1.875	.875	.625	1.250	5/16-24	14	2,784	.07
SM-6	SB-6	.3750	.500	.406	1.938	1.000	.719	1.250	3/8-24	12	3,915	.11
SM-7	SB-7	.4375	.562	.437	2.125	1.125	.812	1.375	7/16-20	14	4,218	.16
SM-8	SB-8	.5000	.625	.500	2.438	1.312	.937	1.500	1/2-20	12	6,660	.25
SM-10	SB-10	.6250	.750	.562	2.625	1.500	1.125	1.625	5/8-18	16	7,364	.38
SM-12	SB-12	.7500	.875	.687	2.875	1.750	1.312	1.750	3/4-16	14	11,518	.60

ROD END NO.		DIMENSIONS IN MILLIMETERS								a° Misalign. Angle	Ultimate Radial Static Load Capacity Newtons	Approx. Brg. Wt. Grams
Right Hand	Left Hand	B + .038 - .013	W + .00 - .13	H ± .13	A + .38	D ± .25	Ball Dia. Ref.	C + 1.57 - .79	Thread UNF-3A			
SM-3	SB-3	4.826	7.92	6.35	31.75	15.88	11.10	19.05	10-32	13	5,197	13
SM-4	SB-4	6.350	9.53	7.14	39.67	19.05	12.70	25.40	1/4-28	16	9,600	20
SM-5	SB-5	7.938	11.10	8.74	47.63	22.23	15.88	31.75	5/16-24	14	12,385	33
SM-6	SB-6	9.525	12.70	10.31	49.23	25.40	18.26	31.75	3/8-24	12	17,416	51
SM-7	SB-7	11.113	14.27	11.10	53.98	28.58	20.62	34.93	7/16-20	14	18,759	73
SM-8	SB-8	12.700	15.88	12.70	61.93	33.32	23.80	38.10	1/2-20	12	29,624	113
SM-10	SB-10	15.875	19.05	14.27	66.68	38.10	28.58	41.28	5/8-18	16	32,752	173
SM-12	SB-12	19.050	22.23	17.45	73.03	44.45	33.32	44.45	3/4-16	14	51,237	273